



VIEWPOINT FLOOD LIGHT 2.0

INSTALLATION INSTRUCTIONS

⚠ CAUTION

PLEASE READ INSTRUCTIONS BEFORE COMMENCING INSTALLATION AND RETAIN FOR FUTURE REFERENCE.
Electrical products can cause death or injury, or damage to property. If any doubt about the installation or use of this product, consult a qualified electrician.

⚠ WARNING

- To reduce the risk of death, personal injury or property damage from fire, electric shock, falling parts, cuts/abrasions, and other hazards read all warnings and instructions included with and on the fixture box and all fixture labels.
- Before installing, servicing, or performing routine maintenance upon this equipment, follow these general precautions.
- Commercial installation, service and maintenance of luminaires should be performed by a qualified licensed electrician.
- To prevent wiring damage or abrasion, do not expose wiring to edges of sheet metal or other sharp objects.
- Do not make or alter any open holes in an enclosure of wiring or electrical components during kit installation.

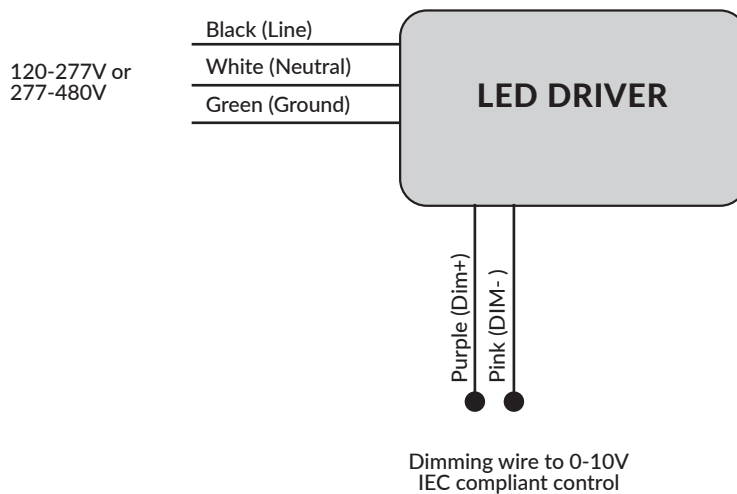
⚠ WARNING

- Turn off electrical power at fuse or circuit breaker box before wiring fixture to the power supply.
- Turn off the power when you perform any maintenance.
- Verify that supply voltage is correct by comparing it with the luminaire label information.
- All wiring connections should be capped with UL approved wire connectors.

⚠ CAUTION

- Avoid direct eye exposure to the light source while it is on.
 - Account for small parts and destroy packing material, as these may be hazardous to children.
 - Risk of burn. Disconnect power and allow fixture to cool before handling fixture.
- NOTICE: Green ground screw provided in proper location. Do not relocate.
NOTICE: Minimum 90° supply conductors.
NOTICE: Specifications and dimensions subject to change without notice.
NOTICE: Suitable for Wet location, Type IC

General Wiring Diagram



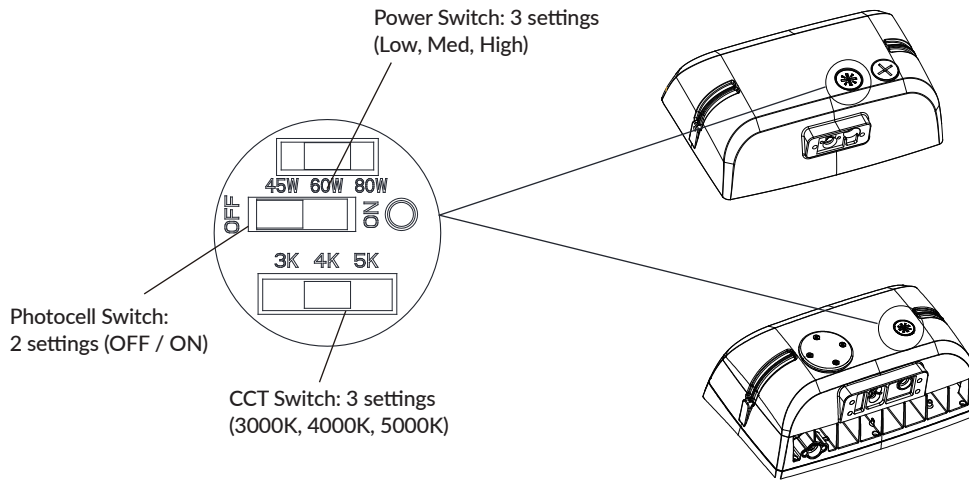


VIEWPOINT FLOOD LIGHT 2.0

INSTALLATION INSTRUCTIONS

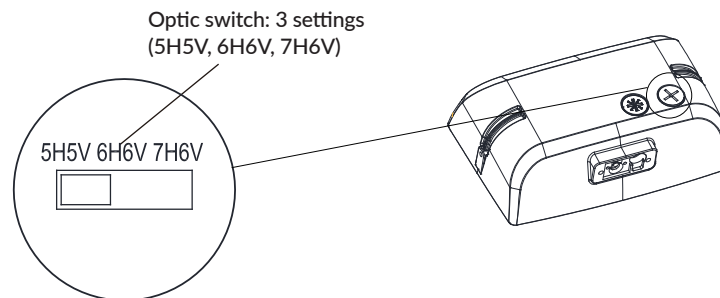
Field-Adjustable CCT and Wattage

- Remove the 3/4" plug located at the back side of the fixture.
- Utilize the provided DIP switches to adjust the lumen output, color temperature and photocell setting. Slide the switch left or right based on the fixture label to achieve the desired optic setting.
- Install the 3/4" plug back in place and securely tighten it.
- The factory default setting is maximum power, 4000K, Photocell ON.



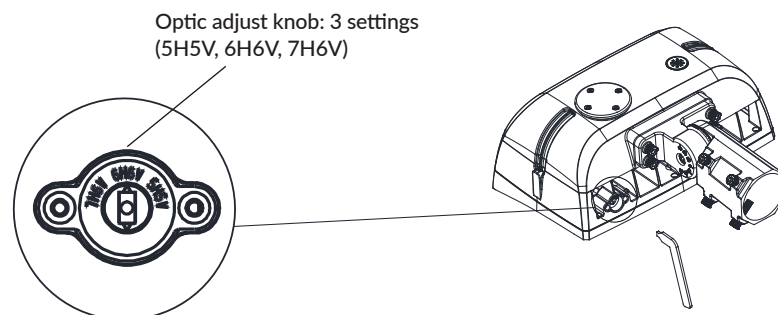
Field-Optional Optics

- Remove the 3/4" plug located at the back side of the fixture.
- Utilize the provided DIP switch to adjust the optic setting. Slide the switch left or right based on the fixture label to achieve the desired optic setting.
- Install the 3/4" plug back in place and securely tighten it.
- The factory default setting is 5H5V.



For:
VFS-2L/4L/5L
VFM-7L/9L/11L

- Insert the provided wrench into the slot on the optic adjust knob. Turn it clockwise or counterclockwise to set the desired angle.



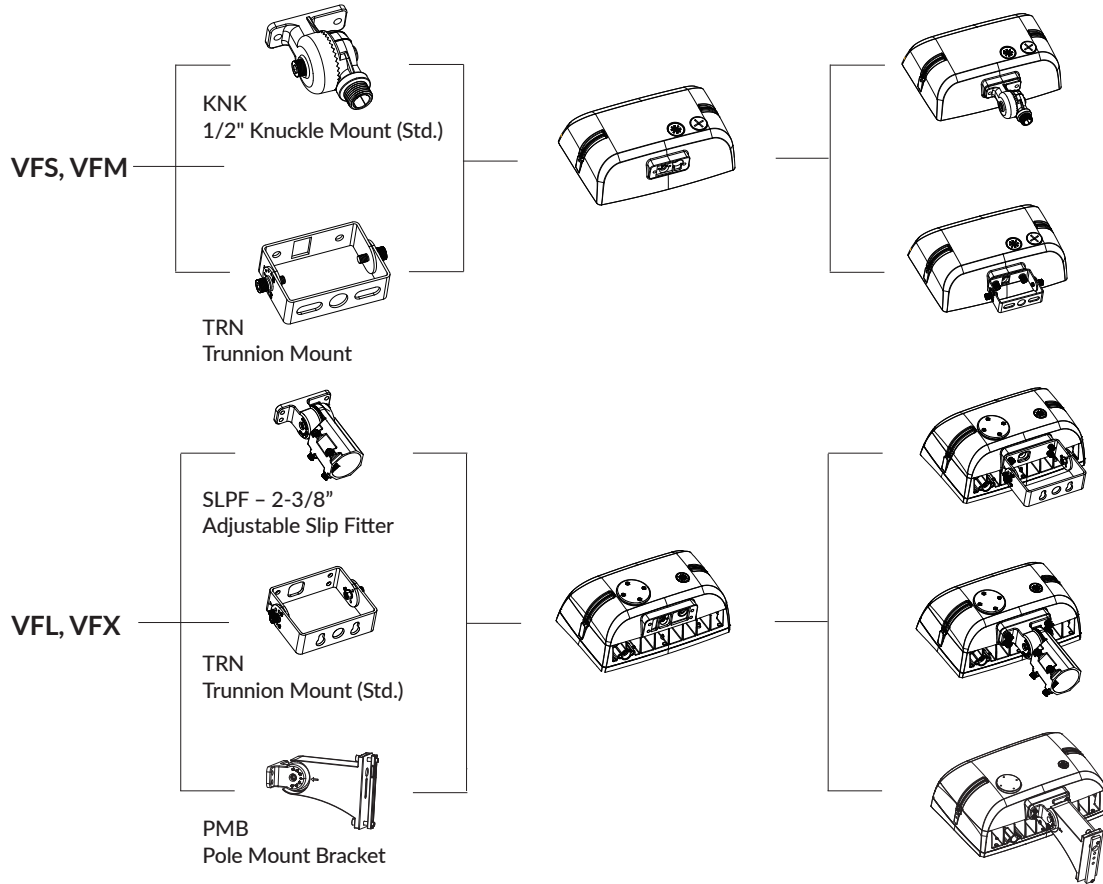
For:
VFL-16L/18L/22L
VFX-32L/36L/45L



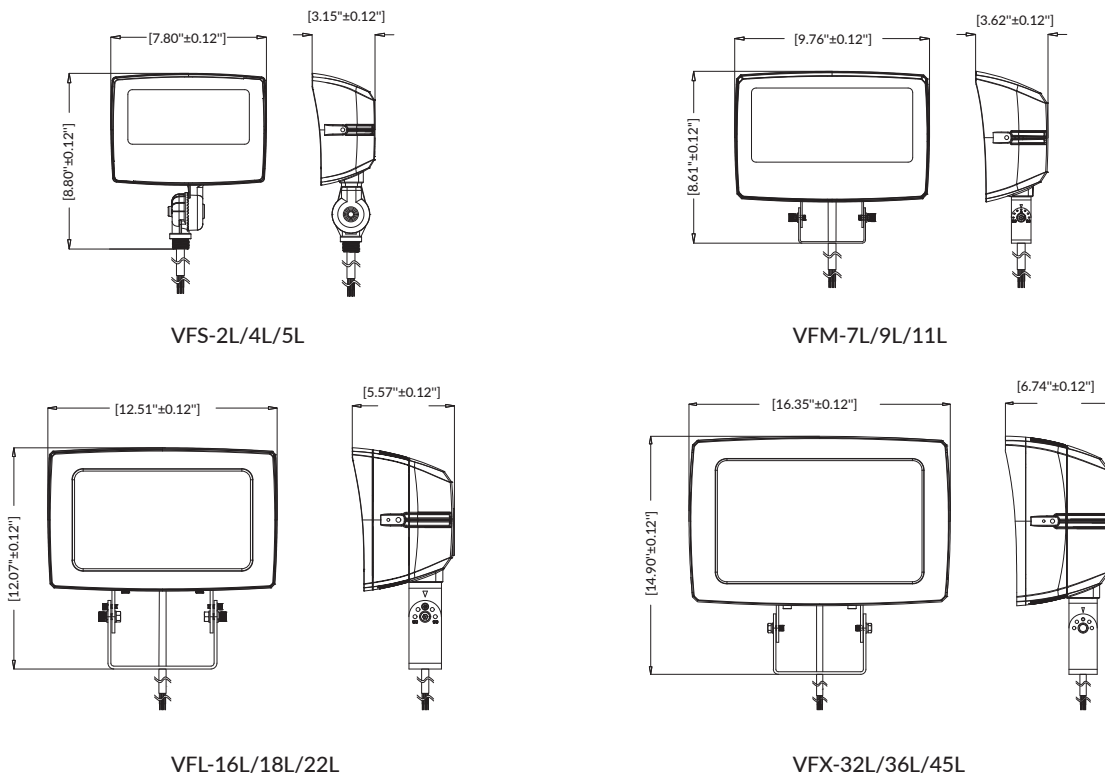
VIEWPOINT FLOOD LIGHT 2.0

INSTALLATION INSTRUCTIONS

Optional Brackets:



Product Dimension:





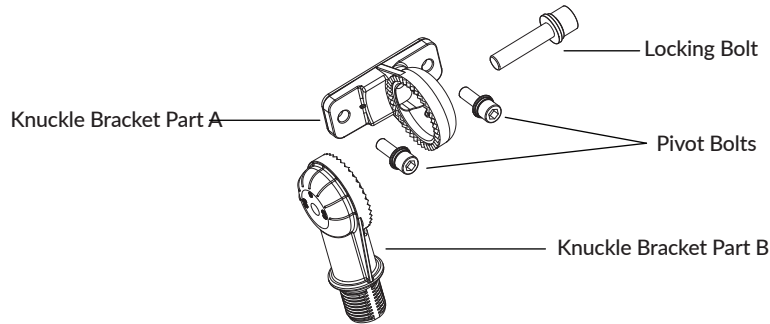
VIEWPOINT FLOOD LIGHT 2.0

INSTALLATION INSTRUCTIONS

Installation Instructions:

TURN OFF POWER FROM MAIN CIRCUIT BREAKER

1. 1/2 Knuckle Mount (Suitable for VFS, VFM)



Assemble the mounting bracket:

- Align the holes of the fixture and the gasket mat with those on Knuckle Bracket A.
- Pass the cable through these aligned holes and secure them to the fixture with the Pivot Bolts (Figure 2-1).
- Pass the cable through Knuckle Bracket B (Figure 2-2).
- Assemble the two Knuckle bracket parts and fasten them with the Locking Bolts(Figure 2-3).

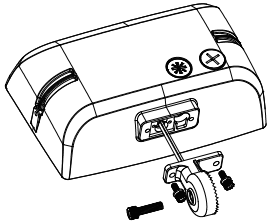


Figure 1-1

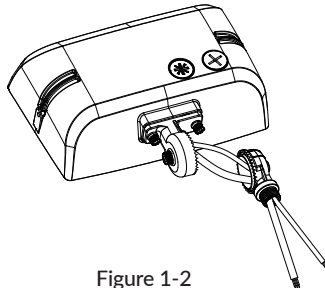


Figure 1-2

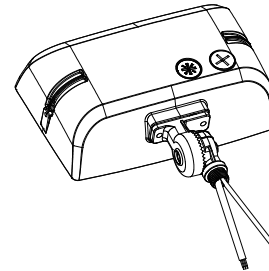
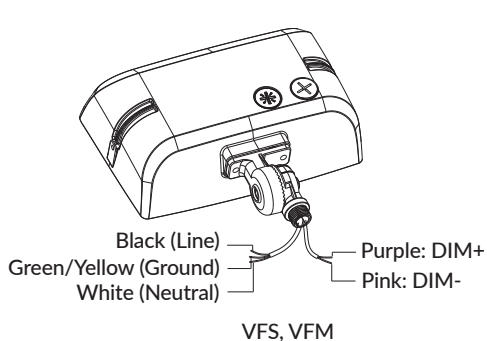


Figure 1-3

Mounting the Fixture:

- Pole mount: Make appropriate wiring according to the “General Wiring Diagram”. Tuck the wires into the pole. Tighten the fixture thread with the pole until securely fasten. (Figure 1-4).
- Surface mount: Pass the 1/2 Knuckle Bracket through mounting surface, tighten the fixture thread with a nut (provided by other) until securely fasten, then make appropriate wiring according to the “General Wiring Diagram”. (Figure 1-5)
- To adjust the fixture angle, loose the Locking Bolt and adjust fixture to desired angle. Tighten the Locking Bolt to secure it. The adjustable angle is 0~+/-90°



VFS, VFM

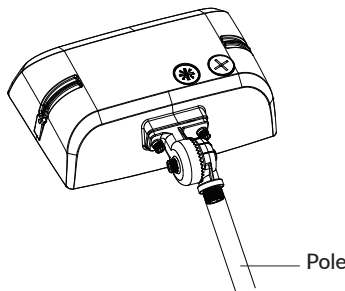


Figure 1-2

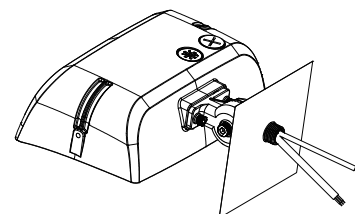


Figure 1-3



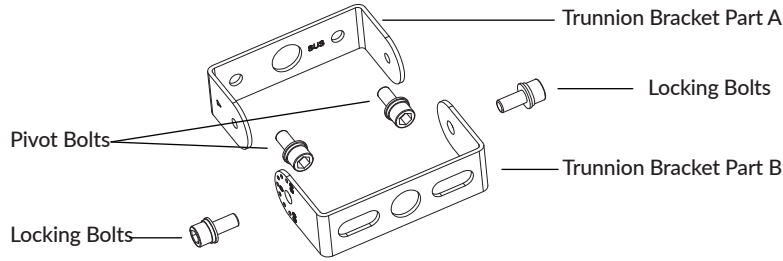
VIEWPOINT FLOOD LIGHT 2.0

INSTALLATION INSTRUCTIONS

Installation Instructions:

TURN OFF POWER FROM MAIN CIRCUIT BREAKER

2. TRN – Trunnion Mount (Suitable for VFS, VFM, VFL, VFX)



Assemble the mounting bracket:

- Align the holes of the fixture and the gasket mat with those on Trunnion Bracket A.
- Pass the cable through these aligned holes and secure them to the fixture with the Pivot Bolts (Figure 2-1).
- Pass the cable through Trunnion Bracket B (Figure 2-2).
- Assemble the two Trunnion bracket parts and fasten them with the Locking Bolts(Figure 2-3).

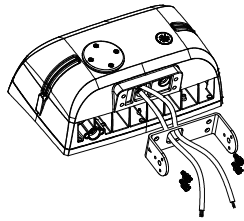


Figure 2-1

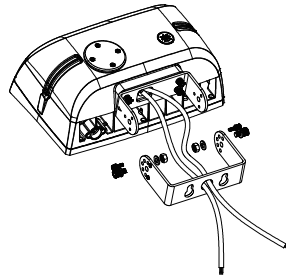


Figure 2-2

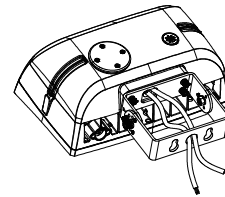


Figure 2-3

Mounting the Fixture:

- Mark and drill holes in the wall for the Trunnion Bracket based on your fixture's dimensions (refer to the distance provided below). Knock the expansion bolts (provided by other) into the holes (Figure 2-4).
- Position the Trunnion Bracket over the bolts and secure it to the wall by tightening the fixing screws (provided by other) until the bracket is firmly fastened.
- Make all electrical connections according to the "General Wiring Diagram." Neatly tuck all wires into the junction box (provided by other) in the wall.
- To adjust the fixture's angle, loosen the Locking Bolt, position the fixture to the desired angle and then retighten the Locking Bolt securely to lock it in place. The adjustable angle is 0~+/-90° (Figure 2-5).

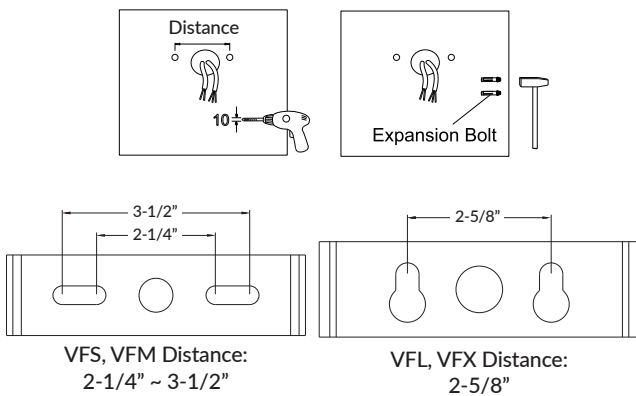


Figure 2-4

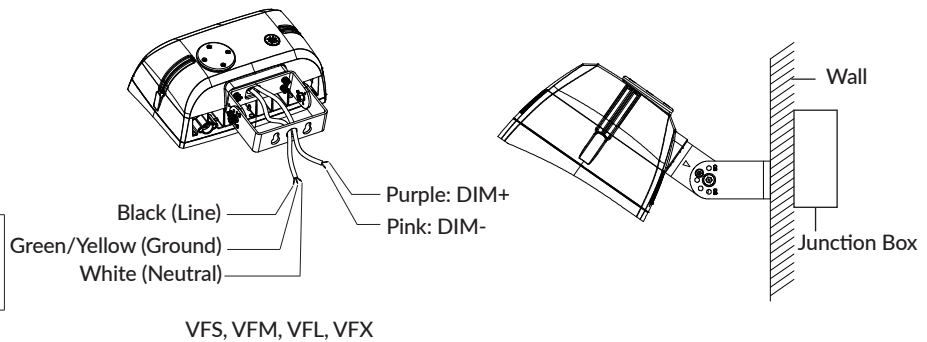


Figure 2-5

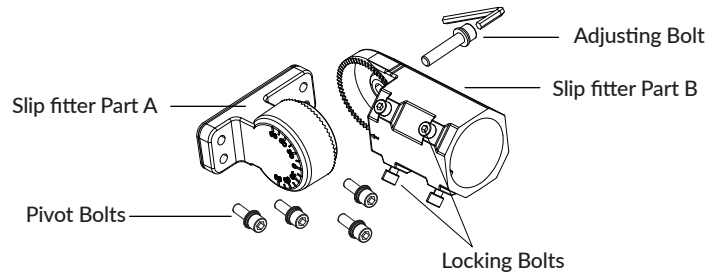


VIEWPOINT FLOOD LIGHT 2.0

INSTALLATION INSTRUCTIONS

Installation Instructions:

3. SLPF - 2-3/8" Adjustable Slip Fitter (Suitable for VFL, VFX)



Assemble the mounting bracket:

- Separate the Slip Fitter parts by unscrewing the Locking Bolt.
- Align the holes of the fixture and the gasket mat with those on Slip Fitter Part A. Pass the cable through these aligned holes (Figure 3-1).
- Secure Slip Fitter Part A to the fixture with the Pivot Bolts (Figure 3-2). Pass the cable through Slip Fitter Part B (Figure 3-2).
- Assemble the two Slip Fitter parts and fasten them with the Locking Bolts (Figure 3-3).

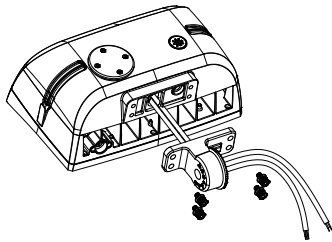


Figure 3-1

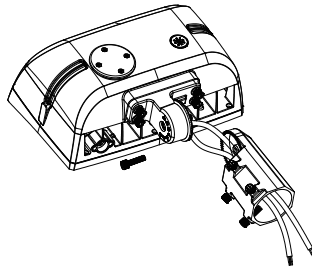


Figure 3-2

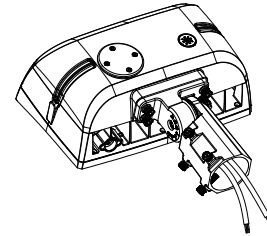


Figure 3-3

- Complete all wiring according to the "General Wiring Diagram." Neatly tuck all wires into the pole (Figure 3-4).
- Place the Slip Fitter onto the pole and secure it by firmly tightening the Locking Bolts (Figure 3-5)
- To adjust the fixture's angle, loosen the Locking Bolt, position the fixture to the desired angle and then retighten the Locking Bolt securely to lock it in place. The adjustable angle is 0~+/-90° (Figure 3-5).

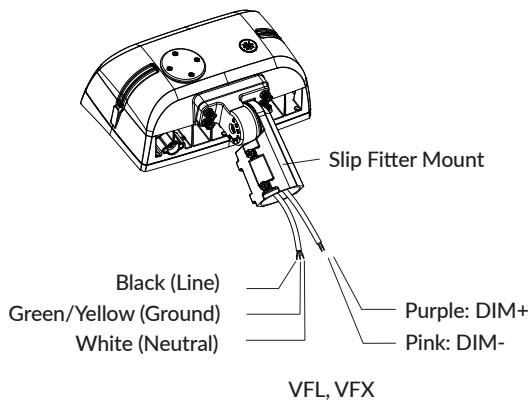


Figure 3-4

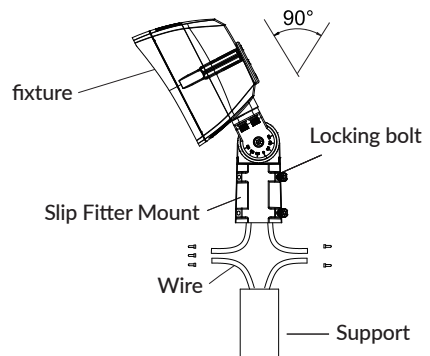


Figure 3-5

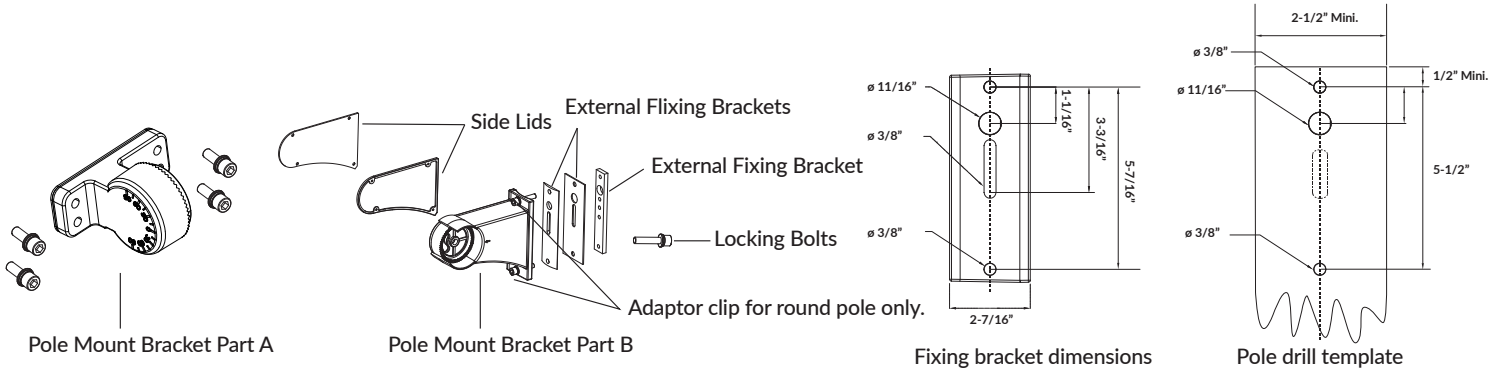


VIEWPOINT FLOOD LIGHT 2.0

INSTALLATION INSTRUCTIONS

Installation Instructions:

4. PMB - Pole Mount Bracket Mounting (Suitable for VFL, VFX)



Assemble the mounting bracket:

- Separate the Pole Mount Bracket parts A and B by unscrewing the Locking Bolt.
- Align the holes of the fixture and the gasket mat with those on Pole Mount Bracket A. Pass the cable through these aligned holes. Secure Pole Mount Bracket Part A to the fixture with the Pivot Bolts (Figure 4-1).
- Pass the cable through Pole Mount Bracket Part B (Figure 4-2). Assemble the two Pole Mount Bracket parts and fasten them with the fixing screws (Figure 4-3).

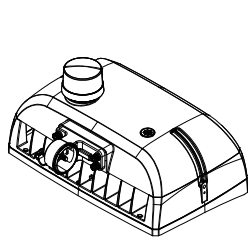


Figure 4-1

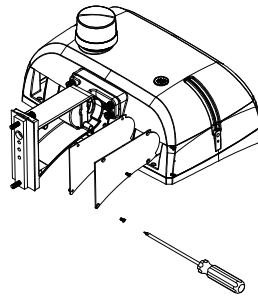


Figure 4-2

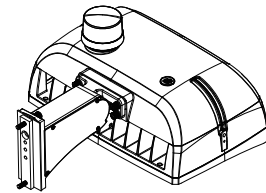


Figure 4-3

Mounting the Fixture:

- Secure the PMB bracket to the square pole using the Fixing Bolts, guide the wire into the junction box, and wire it according to the "General Wiring Diagram". Place the connected wires inside the junction box and close the box securely (Figure 4-4).
- When installing the fixture on a square pole, only use a Curved Square Pole Silicon Gasket (Figure 4-5).
- When installing the fixture on a round pole, only use a Flat Silicon Plate (Figure 4-6).

Note: The adjustable angle range is 0-35°. To adjust the fixture angle, loosen the locking bolts, set the desired angle, and then tighten the locking bolt to secure it.

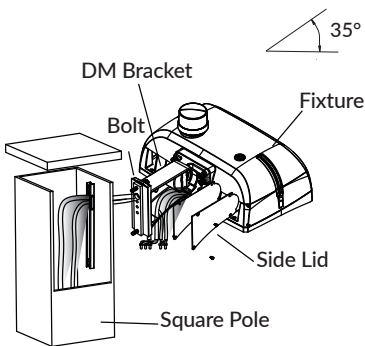


Figure 4-4

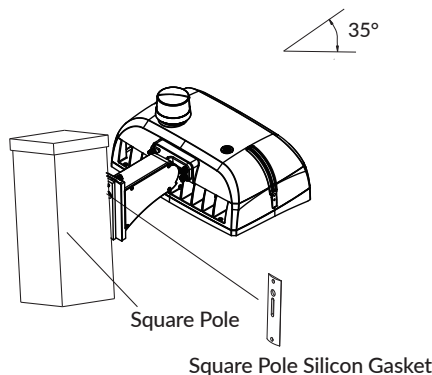


Figure 4-5

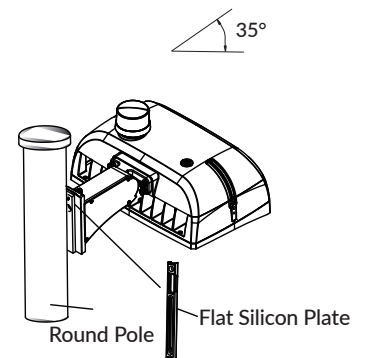


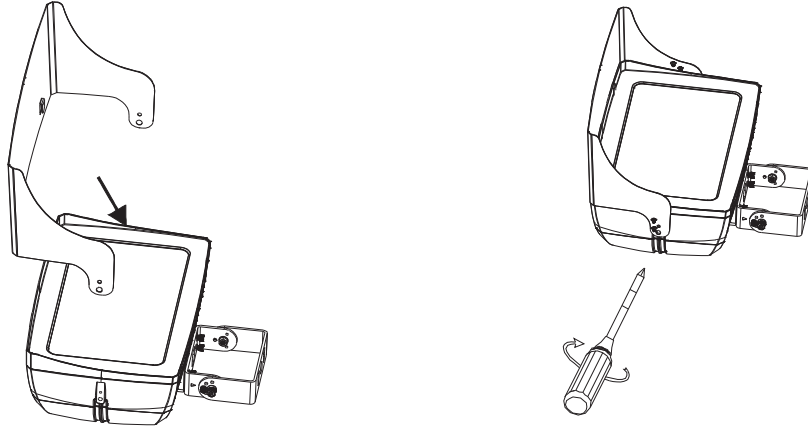
Figure 4-6



VIEWPOINT FLOOD LIGHT 2.0

INSTALLATION INSTRUCTIONS

Visor Installation



- Position the shield to align with the mounting locations on the fixture.
- Attach the glare shield using two or four provided screws, tightening them evenly to ensure a secure and flush fit.

Nominal Lumen Output Settings

Model Number	Power Setting	3000K			4000K			5000K		
		Lumens 5H5V	Lumens 6H6V	Lumens 7H6V	Lumens 5H5V	Lumens 6H6V	Lumens 7H6V	Lumens 5H5V	Lumens 6H6V	Lumens 7H6V
VFS2-2L/4L/5L-U-CCTS-DS-KNK-BRZ	15W	2,250	2,400	2,350	2,370	2,445	2,370	2,250	2,400	2,350
	25W	3,700	3,825	3,700	3,825	3,950	3,825	3,700	3,825	3,700
	30W	4,350	4,500	4,350	4,500	4,650	4,500	4,350	4,500	4,350
VFM2-7L/9L/11L-U-CCTS-DS-TRN-BRZ	45W	6,750	7,200	6,950	7,110	7,335	7,110	6,750	7,200	6,950
	60W	8,880	9,180	8,880	9,180	9,480	9,180	8,880	9,180	8,880
	75W	10,875	11,250	10,875	11,250	11,625	11,250	10,875	11,250	10,875
VFL2-16L/18L/22L-U-CCTS-DS-TRN-BRZ	100W	15,000	16,000	15,500	15,800	16,300	15,800	15,000	16,000	15,500
	120W	17,760	18,360	17,760	18,360	18,960	18,360	17,760	18,360	17,760
	150W	21,750	22,500	21,750	22,500	23,250	22,500	21,750	22,500	21,750
VFX2-32L/36L/45L-U-CCTS-DS-TRN-BRZ	200W	30,000	32,000	31,000	31,600	32,600	31,600	30,000	32,000	31,000
	240W	35,520	36,720	35,520	36,720	37,920	36,720	35,520	36,720	35,520
	300W	43,500	45,000	43,500	45,000	46,500	45,000	43,500	45,000	43,500