



BLT6 BOLLARDS

PRODUCT
OVERVIEW



SCAN OR
CLICK HERE

FEATURES

- Match your site plan without extra SKUs using lumen selectability and 3000K, 4000K, or 5000K CCT selectability to keep output and color consistent.
- Type V distribution spreads light evenly for paths, plazas, and perimeter areas while supporting a clean, comfortable appearance.
- Built for exterior use with wet-location listing and a durable housing designed to hold up in public-facing environments.
- Electrical flexibility supports mixed site conditions with 120 to 120 to 277 VAC input and standard 4kV surge protection to help protect the system.
- Life-safety ready when specified with a CEC compliant 8W emergency option for egress and critical areas.



BLFT6



BLFLT6

CERTIFICATIONS



SUITABLE APPLICATIONS

- Walkways & Sidewalks
- Building Entries And Exits
- Courtyards And Plazas
- Parking Lot Pedestrian Paths
- Campuses And Parks
- Perimeter Wayfinding
- Retail And Mixed-Use Streetscapes

SPECIFICATIONS

CONSTRUCTION

Heavy-duty bollard housing built from aluminum for long-term exterior durability. Corrosion-resistant construction with a UV-stabilized, powder coat finish supports harsh weather and coastal exposure. Vandal-resistant design with reinforced body geometry and secure fasteners helps protect the fixture in public-facing locations. Airtight compartment design helps resist moisture intrusion and reduces the chance of internal condensation for dependable outdoor performance.

OPTICS

Optical system delivers a Type V distribution for broad, even pathway coverage. Internal reflector helps shape the beam and support comfortable light levels for pedestrian areas. High-impact diffuser and lens materials are designed for outdoor durability and consistent light appearance over time.

ELECTRICAL

Class 2 high-performance drivers features over-voltage, under-voltage, short circuit and over temperature protection. 0-10V dimming (10% - 100%). Standard Universal Voltage (120-277 Vac) Input 50/60 Hz. L70 >100,000 hrs. in accordance with IESNA TM-21-19 projected values at 25°C Ambient temperature. Total harmonic distortion: <20%. Power factor: >0.90. Input power stays constant over life. Standard 4kV surge protection. Optional CEC compliant 8W emergency battery backup.

THERMAL

Thermal management is designed to maintain consistent light output and long-term reliability in outdoor environments. Housing construction supports heat dissipation away from the LED system to help protect performance over life.

INSTALLATION

Mounts to a standard bollard base for straightforward new construction or retrofit installation. Pre-wired terminal block and quick-disconnect simplify wiring and speed fixture service. Includes an internal mounting plate designed to align and secure the housing quickly. Designed for typical outdoor conduit and handhole access to support clean, repeatable installs.

CERTIFICATIONS

UL Listed for wet locations to UL 1598 and UL 8750 standards. IP65 Rated per IEC 60598. Tested in accordance with IESNA LM-79 and LM-80 standards. RoHS Compliant.

WARRANTY

5 Year Warranty Standard; 10 Year Warranty Optional ([Terms and Conditions apply](#)).



ORDERING GUIDE

PART #

Example: BLDT6-26L-U-CCTS-BLK-SP1-10YR

SERIES		LUMENS		DRIVER		CCT		FINISH	
BLDT6	6" Dome Top	13L/26L/40L		U	120-277V	CCTS	Selectable CCT (3000K, 4000K, 5000K)	BRZ	Bronze
BLFT6	6" Flat Top	13L						BLK ¹	Black
		26L						NAT ¹	Natural Aluminum
BLDLT6	6" Dome Louvered Top	05L/10L/15L						SLV ¹	Silver
BLFLT6	6" Flat Louvered Top	05L						WHT ¹	White
		10L							
EMERGENCY		PROTECTION		CONTROLS		WARRANTY			
BLANK	None	BLANK	None	BLANK	None	BLANK	5 Year		
EM8	- 0°C. 0°C 8W CEC Title 20 Battery Backup	SP1	10kV Surge Protection	PCU	Electronic UNIV Photocell(120-277V)	10YR ²	10 Year		
SHIP WITH ACCESSORIES									
+BLT6-180BS		180° Back Light Shield							

FOOTNOTES

¹Contact factory for lead time

²Requires additional Surge Protection; For additional details see General Terms and Conditions, consult factory for pricing

LED SYSTEMS INFO ¹	Lumen Package	3000K		4000K		5000K		Watts ²	BUG Rating (4000K)	DLC
		Lumens	Efficacy	Lumens	Efficacy	Lumens	Efficacy			
BLDT6-13L/26L/40L-U-CCTS-BRZ	13L	1251	129	1315	138	1285	132	10	B1-U2-G1	
	26L	2417	130	2540	139	2483	134	18	B1-U3-G1	
	40L	3891	126	4089	135	3997	139	31	B2-U3-G1	
BLFT6-13L/26L/40L-U-CCTS-BRZ	13L	1251	129	1315	138	1285	132	10	B1-U2-G1	
	26L	2417	130	2540	139	2483	134	18	B1-U3-G1	
	40L	3891	126	4089	135	3997	139	31	B2-U3-G1	
BLDLT6-05L/10L/15L-U-CCTS-BRZ	5L	304	32	344	37	389	41	9	B0-U2-G1	
	10L	669	37	757	42	819	45	18	B1-U2-G1	
	15L	1163	38	1321	44	1398	45	30	B1-U2-G1	
BLFLT6-05L/10L/15L-U-CCTS-BRZ	5L	304	32	344	37	389	41	9	B0-U2-G1	
	10L	669	37	757	42	819	45	18	B1-U2-G1	
	15L	1163	38	1321	44	1398	45	30	B1-U2-G1	

¹LED Chips are frequently updated therefore values are nominal

²Electrical data at 25°C (77°F) 120V. Actual wattage may differ by +/-10%

ELECTRICAL DATA (AMPS)

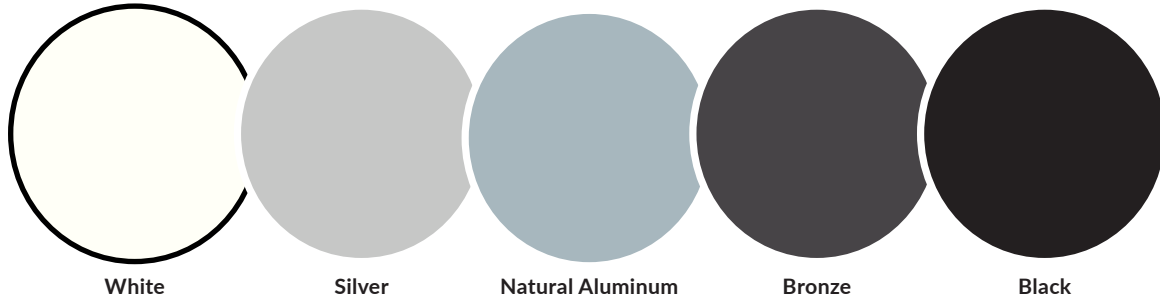
Lumen Package	Wattage	120V	208V	240V	277V
13L	10	0.08	0.05	0.04	0.04
26L	18	0.15	0.09	0.08	0.06
40L	31	0.26	0.15	0.13	0.11
15L	30	0.25	0.14	0.13	0.11
10L	18	0.15	0.09	0.08	0.06
05L	9	0.08	0.04	0.04	0.03

¹Electrical data at 25°C (77°F). Actual wattage may differ by +/-10%

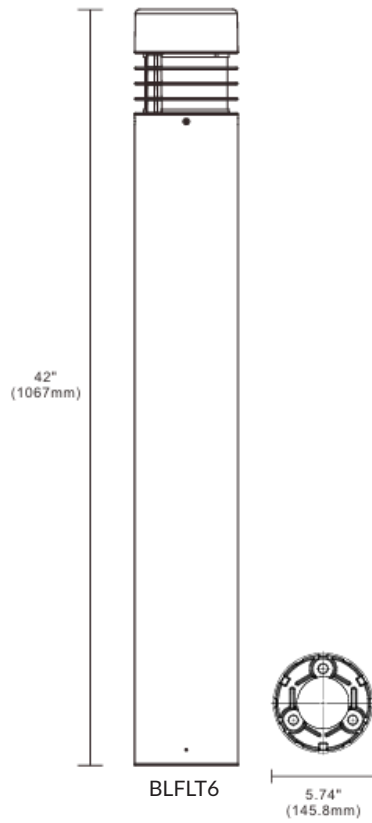
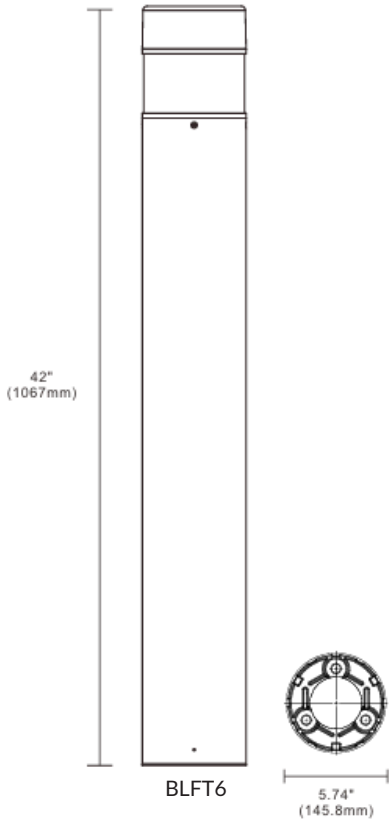


BLT6 BOLLARDS

FACTORY SELECT COLOR GUIDE



LINE DRAWINGS



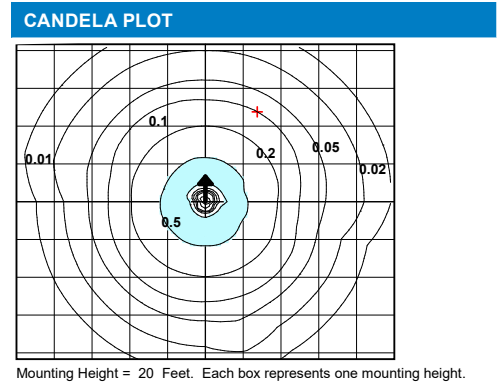


BLT6 BOLLARDS

PHOTOMETRIC DATA

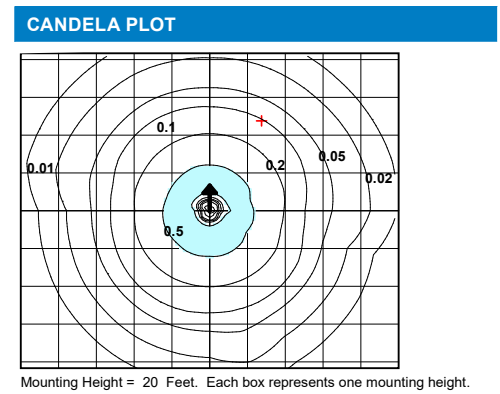
LUMINAIRE DATA	
Part Number	BLFT6-40L-U-CCTS-BRZ
Description	LED Bollard, Flat, 4000 Lumens, 3000K CCT, High Impact Polycarbonate Lens, Bronze Finish.
Fixture Lumens (lm)	3891
Wattage (W)	30.91
Efficacy (lm/W)	126
Spacing Criteria	0° = 16.84, 90° = 15.78

ZONAL LUMEN SUMMARY		
Zone	Lumens (lm)	% Fixture
0° - 40°	492	13%
0° - 60°	1741	45%
0° - 90°	3548	91%
90° - 180°	343	9%
0° - 180°	3891	100%



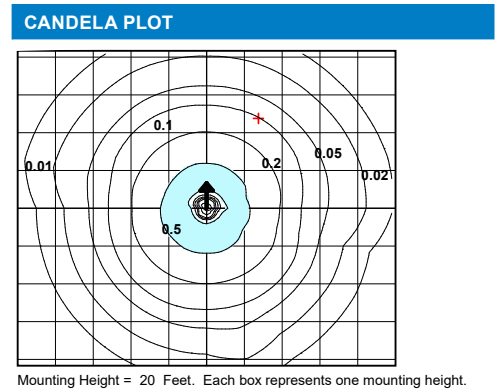
LUMINAIRE DATA	
Part Number	BLFT6-40L-U-CCTS-BRZ
Description	LED Bollard, Flat, 4000 Lumens, 4000K CCT, High Impact Polycarbonate Lens, Bronze Finish.
Fixture Lumens (lm)	4089
Wattage (W)	30.32
Efficacy (lm/W)	135
Spacing Criteria	0° = 17.08, 90° = 16.00

ZONAL LUMEN SUMMARY		
Zone	Lumens (lm)	% Fixture
0° - 40°	517	13%
0° - 60°	1829	45%
0° - 90°	3728	91%
90° - 180°	360	9%
0° - 180°	4089	100%



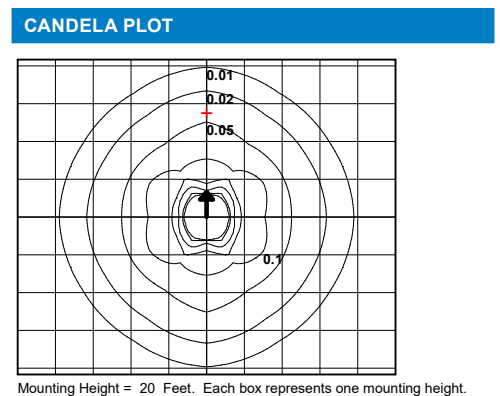
LUMINAIRE DATA	
Part Number	BLFT6-40L-U-CCTS-BRZ
Description	LED Bollard, Flat, 4000 Lumens, 5000K CCT, High Impact Polycarbonate Lens, Bronze Finish.
Fixture Lumens (lm)	3997
Wattage (W)	30.9
Efficacy (lm/W)	129
Spacing Criteria	0° = 16.96, 90° = 15.90

ZONAL LUMEN SUMMARY		
Zone	Lumens (lm)	% Fixture
0° - 40°	506	13%
0° - 60°	1788	45%
0° - 90°	3645	91%
90° - 180°	352	9%
0° - 180°	3997	100%



LUMINAIRE DATA	
Part Number	BLFLT6-15L-U-CCTS-BRZ
Description	LED Bollard, Flat with Aluminum Reflector, 1500 Lumens, 3000K CCT, High Impact Polycarbonate Lens, Bronze Finish.
Fixture Lumens (lm)	1163
Wattage (W)	30.7
Efficacy (lm/W)	38
Spacing Criteria	0° = 0.02

ZONAL LUMEN SUMMARY		
Zone	Lumens (lm)	% Fixture
0° - 40°	14	1%
0° - 60°	327	28%
0° - 90°	1055	91%
90° - 180°	109	9%
0° - 180°	1163	100%





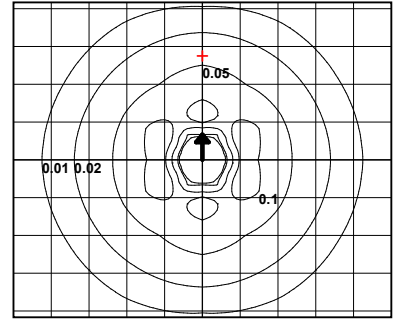
BLT6 BOLLARDS

PHOTOMETRIC DATA

LUMINAIRE DATA	
Part Number	BLFLT6-15L-U-CCTS-BRZ
Description	LED Bollard, Flat with Aluminum Reflector, 1500 Lumens, 4000K CCT, High Impact Polycarbonate Lens, Bronze Finish.
Fixture Lumens (lm)	1321
Wattage (W)	30
Efficacy (lm/W)	44.0
Spacing Criteria	0° = 0.02

ZONAL LUMEN SUMMARY		
Zone	Lumens (lm)	% Fixture
0° - 40°	12.29	1%
0° - 60°	294.89	22%
0° - 90°	1188.22	90%
90° - 180°	132.85	10%
0° - 180°	1321.07	100%

CANDELA PLOT

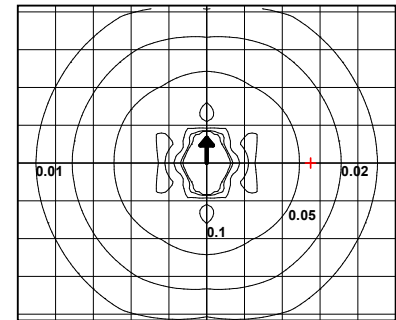


Mounting Height = 20 Feet. Each box represents one mounting height.

LUMINAIRE DATA	
Part Number	BLFLT6-15L-U-CCTS-BRZ
Description	LED Bollard, Flat with Aluminum Reflector, 1500 Lumens, 5000K CCT, High Impact Polycarbonate Lens, Bronze Finish.
Fixture Lumens (lm)	1398
Wattage (W)	30.7
Efficacy (lm/W)	45
Spacing Criteria	0° = 0.02

ZONAL LUMEN SUMMARY		
Zone	Lumens (lm)	% Fixture
0° - 40°	10	1%
0° - 60°	246	18%
0° - 90°	1251	90%
90° - 180°	147	11%
0° - 180°	1398	100%

CANDELA PLOT



Mounting Height = 20 Feet. Each box represents one mounting height.