



## BLT7 BOLLARDS

PRODUCT  
OVERVIEW



SCAN OR  
CLICK HERE

### FEATURES

- Match the site plan with a single bollard platform offering 620 to 2,450 lumens and 3000K, 4000K, 5000K CCT options for consistent output and color.
- Choose Type III or Type V distribution to fit pathways, entries, and open pedestrian areas with broad, usable coverage.
- Built for exterior applications with wet-location, IP65 rating for dependable performance in weather-exposed installations.
- Electrical flexibility supports common site conditions with 120 to 277V universal input.
- Add capability when needed with options like microwave motion sensing, surge protection, emergency battery backup, and an integrated GFCI outlet.



BLFT



BLDT

### CERTIFICATIONS



### SUITABLE APPLICATIONS

- Walkways & Sidewalks
- Building Entries And Exits
- Courtyards And Plazas
- Parking Lot Pedestrian Paths
- Campuses And Parks
- Perimeter Wayfinding
- Retail And Mixed-Use Streetscapes

### SPECIFICATIONS

#### CONSTRUCTION

Heavy-duty bollard housing built from aluminum for long-term exterior durability. Corrosion-resistant construction with a UV-stabilized, powder coat finish supports harsh weather and coastal exposure. Vandal-resistant design with reinforced body geometry and secure fasteners helps protect the fixture in public-facing locations. Airtight compartment design helps resist moisture intrusion and reduces the chance of internal condensation for dependable outdoor performance.

#### OPTICS

Optical system is available with Type V distribution for broad, uniform pathway coverage or Type III asymmetric distribution for applications requiring forward-throw illumination. An internal reflector helps control beam performance while supporting comfortable light levels in pedestrian environments. High-impact UV stabilized polycarbonate vandal resistant lens provides outdoor durability and help maintain a consistent illuminated appearance over time.

#### ELECTRICAL

Class 2 high-performance drivers features over-voltage, under-voltage, short circuit and over temperature protection. 0-10V dimming (10% - 100%). Standard Universal Voltage (120-277 Vac) Input 50/60 Hz. L70 >100,000 hrs. in accordance with IESNA TM-21-19 projected values at 25°C Ambient temperature. Total harmonic distortion: <20%. Power factor: >0.90. Input power stays constant over life. Standard 2kV surge protection. Optional CEC compliant emergency battery backup with cold temp version available.

#### THERMAL

Thermal management is designed to maintain consistent light output and long-term reliability in outdoor environments. Housing construction supports heat dissipation away from the LED system to help protect performance over life. Ambient Temp Range : -40°C to +40°C

#### INSTALLATION

Mounts to a standard bollard base for straightforward new construction or retrofit installation. Pre-wired terminal block and quick-disconnect simplify wiring and speed fixture service. Includes an internal mounting plate designed to align and secure the housing quickly. Designed for typical outdoor conduit and handhole access to support clean, repeatable installs. 8" Anchor Bolt Mounting Kit Included Standard.

#### CONTROLS

Fixtures Ordered with Factory-Installed Photocell or Motion Sensor Controls are Internally Wired for Switching and/or 1-10V Dimming Within the Housing. Microwave sensor is programmable with handheld remote.

#### CERTIFICATIONS

UL Listed for wet locations to UL 1598 and UL 8750 standards. IP65 Rated per IEC 60598. Tested in accordance with IESNA LM-79 and LM-80 standards. RoHS Compliant.

#### WARRANTY

5 Year Warranty Standard; 10 Year Warranty Optional ([Terms and Conditions apply](#)).



# BLT7 BOLLARDS

## ORDERING GUIDE

PART #

Example: BLDT-15W-U-40-T5-BLK-MWS-SP1-GFI-10YR

<b>SERIES</b>		<b>LUMENS</b>		<b>DRIVER</b>		<b>CCT</b>		<b>DISTRIBUTION</b>		<b>SHIELDING BUCKET</b>		<b>FINISH</b>	
BLDT	7" Dome Top	10W		U	120-277V	30	3000K	T5	T5 Symmetric Distribution	180BS	180° Backlight Shield	BRZ	Bronze
BLFT	7" Flat Top	15W				40	4000K	T3	T3 A-Symmetric Distribution			BLK <sup>1</sup>	Black
		22W				50	5000K					NAT <sup>1</sup>	Natural Aluminum
												SLV <sup>1</sup>	Silver
												WHT <sup>1</sup>	White

<b>EMERGENCY</b>		<b>CONTROLS</b>		<b>PROTECTION</b>		<b>GFI</b>		<b>WARRANTY</b>	
BLANK	None	BLANK	None	BLANK	None	BLANK	None	BLANK	5 Year
EM	CEC Title 20 Battery Backup	MWS	Programmable	SP1	10kV Surge Protection	GFI	GFCI Outlet, 15A, 120V	10YR <sup>2</sup>	10 Year
EMCT	CEC Title 20 Cold Start Battery Backup, -20°C		Microwave Sensor	FUSE/Sxxx	FUSE 120V, 277V (x= voltage)				
				FUSE/Dxxx	FUSE 208V, 240V (x= voltage)				

SHIP WITH ACCESSORIES	
AB4	Mounting Kit, Includes Bracket & Three (3) 4" Zinc-Plated Anchor Bolts
AB8	Mounting Kit, Includes Bracket & Three (3) 8" Zinc-Plated Anchor Bolts (Included Standard)
AB12	Mounting Kit, Includes Bracket & Three (3) 12" Zinc-Plated Anchor Bolts
AB15	Mounting Kit, Includes Bracket & Three (3) 15" Zinc-Plated Anchor Bolts
P17126	Remote Programming Tool for MWS
BOLPC	Replacement Round UV-Stabilized Polycarbonate Vandal-Resistant Lens
BL/RETBASE	Bollard Retrofit Base Kit Adapts New Bollards to Most Existing Bolt Patterns Die Cast with Powdercoat Finish, Hardware Included. 11 1/2" Dia. x 11 1/2" H. Bronze standard; Add -xxx for alternate finishes; BLK, SLV, NAT, WHT

## FOOTNOTES

<sup>1</sup>Contact factory for lead time

<sup>2</sup>Requires additional Surge Protection; For additional details see General Terms and Conditions, consult factory for pricing

LED SYSTEMS INFO <sup>1</sup>	Distribution	3000K		4000K		5000K		Wattage <sup>2</sup>	BUG Rating (4000K)
		Lumens	Efficacy	Lumens	Efficacy	Lumens	Efficacy		
BLT-10W	T5	1031	91	1119	99	1165	103	11	B1-U3-G1
	T3	738	65	800	71	834	74	11	B1-U3-G1
BLT-15W	T5	1444	91	1566	98	1631	103	16	B1-U3-G1
	T3	1033	65	1120	70	1167	73	16	B1-U3-G1
BLT-22W	T5	2165	91	2349	99	2447	103	24	B1-U3-G1
	T3	1549	65	1680	71	1750	74	24	B1-U3-G1

<sup>1</sup>LED Chips are frequently updated therefore values are nominal

<sup>2</sup>Electrical data at 25°C (77°F) 120V. Actual wattage may differ by +/-10%

## ELECTRICAL DATA (AMPS)

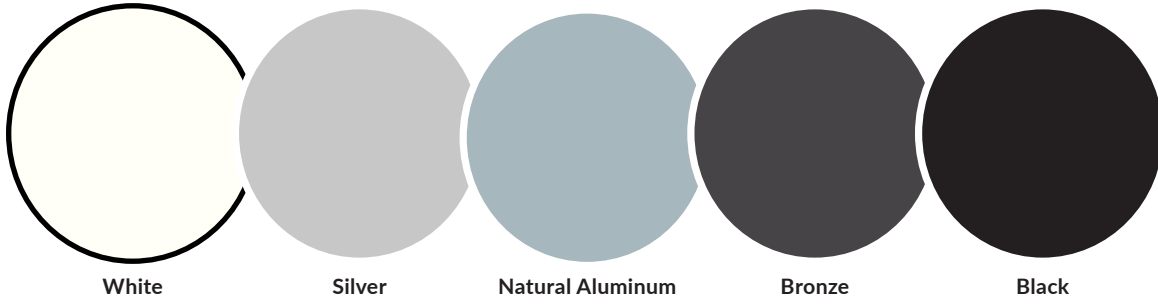
Wattage	Wattage	120V	208V	240V	277V
10W	11	0.09	0.05	0.05	0.04
15W	16	0.13	0.08	0.07	0.06
22W	24	0.20	0.11	0.10	0.09

<sup>1</sup>Electrical data at 25C (77F). Actual wattage may differ by +/-10%

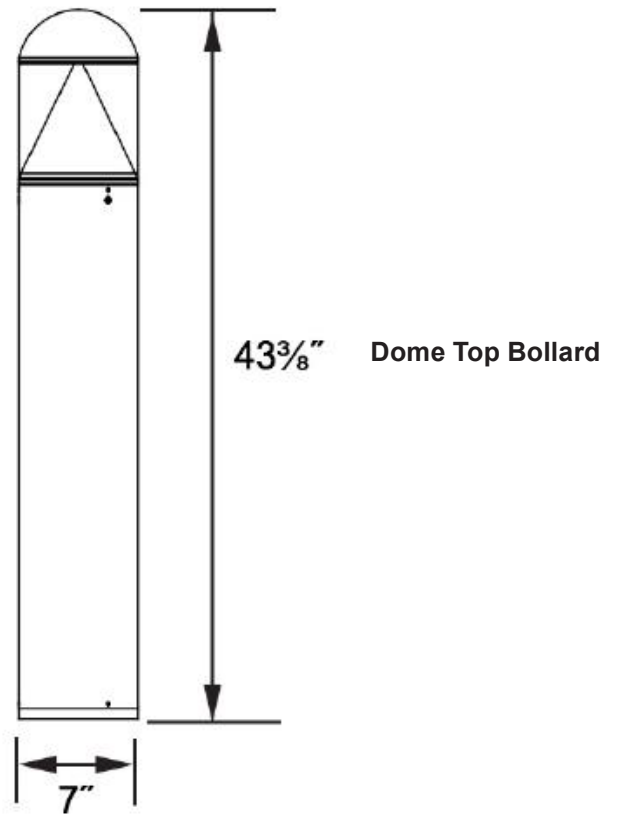
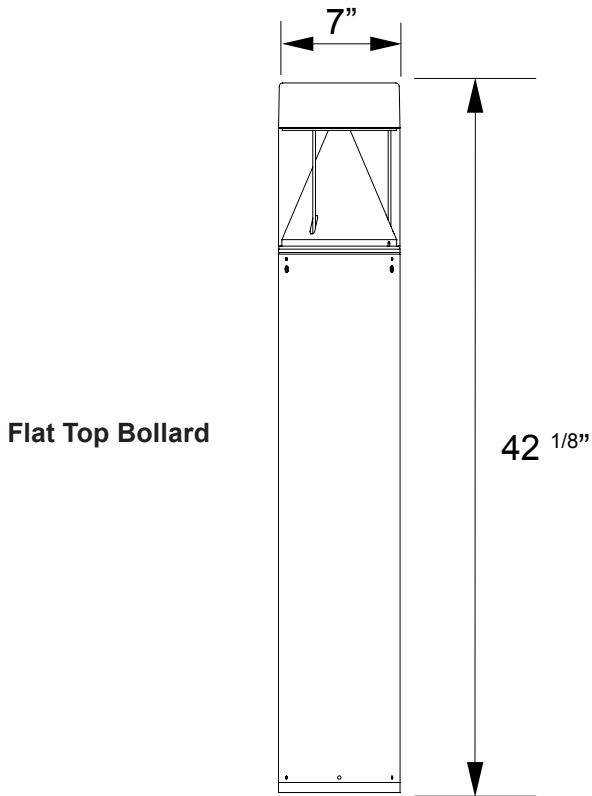


**BLT7**  
BOLLARDS

FACTORY SELECT COLOR GUIDE



LINE DRAWINGS

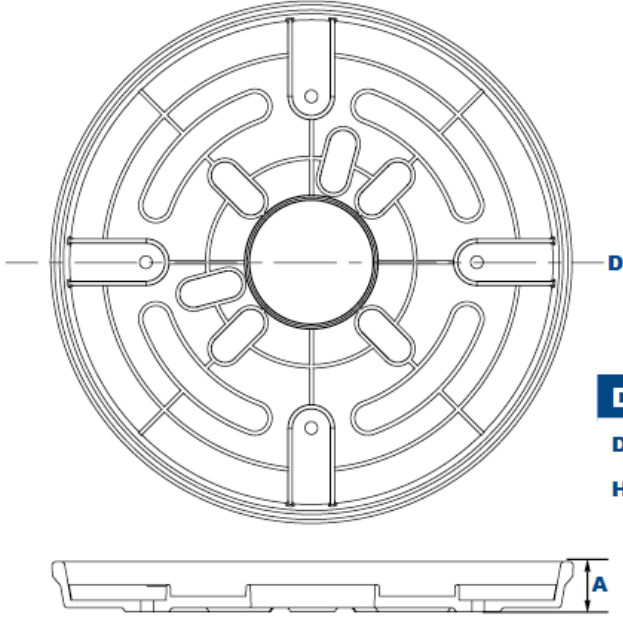




# BLT7 BOLLARDS

## RETROFIT BASE

### Anchor Bolt Retrofit Adapter Plate



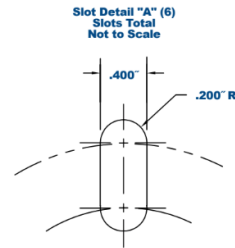
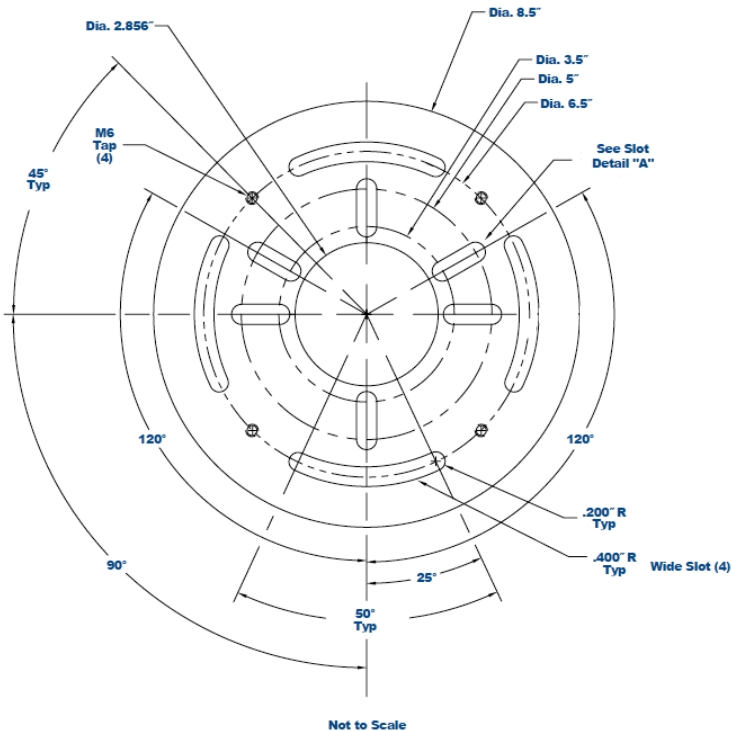
Dimensions	
Diameter (D)	10 $\frac{3}{4}$ " (271mm)
Height (A)	1" (26mm)



**Anchor Bolt Retrofit Adapter Plate** –  
Fits most existing 3-Bolt or 4-Bolt Patterns



**Bollard Mounting Cover Plate** –  
Allows mounting of Bollard using the bollard cast aluminum base plate



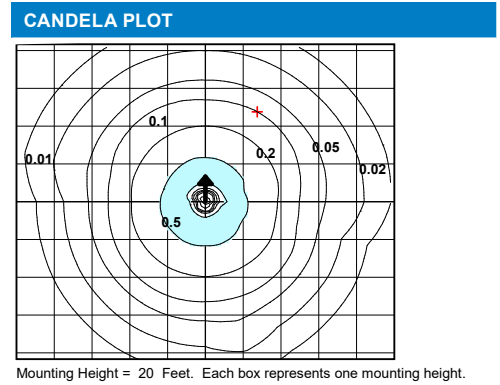


# BLT7 BOLLARDS

## PHOTOMETRIC DATA

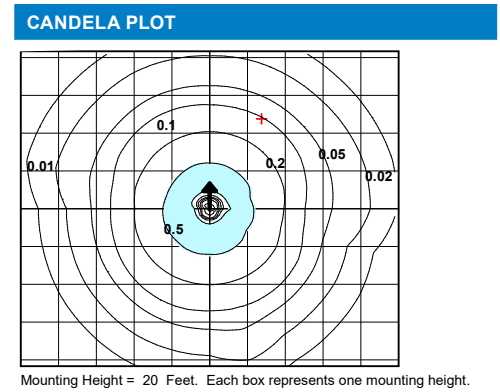
LUMINAIRE DATA	
Part Number	BLFT6-40L-U-CCTS-BRZ
Description	LED Bollard, Flat, 4000 Lumens, 3000K CCT, High Impact Polycarbonate Lens, Bronze Finish.
Fixture Lumens (lm)	3891
Wattage (W)	30.91
Efficacy (lm/W)	126
Spacing Criteria	0° = 16.84, 90° = 15.78

ZONAL LUMEN SUMMARY		
Zone	Lumens (lm)	% Fixture
0° - 40°	492	13%
0° - 60°	1741	45%
0° - 90°	3548	91%
90° - 180°	343	9%
0° - 180°	3891	100%



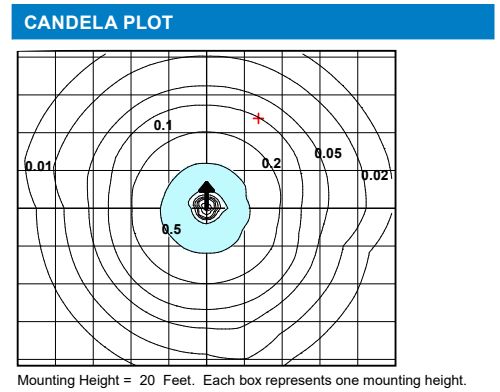
LUMINAIRE DATA	
Part Number	BLFT6-40L-U-CCTS-BRZ
Description	LED Bollard, Flat, 4000 Lumens, 4000K CCT, High Impact Polycarbonate Lens, Bronze Finish.
Fixture Lumens (lm)	4089
Wattage (W)	30.32
Efficacy (lm/W)	135
Spacing Criteria	0° = 17.08, 90° = 16.00

ZONAL LUMEN SUMMARY		
Zone	Lumens (lm)	% Fixture
0° - 40°	517	13%
0° - 60°	1829	45%
0° - 90°	3728	91%
90° - 180°	360	9%
0° - 180°	4089	100%



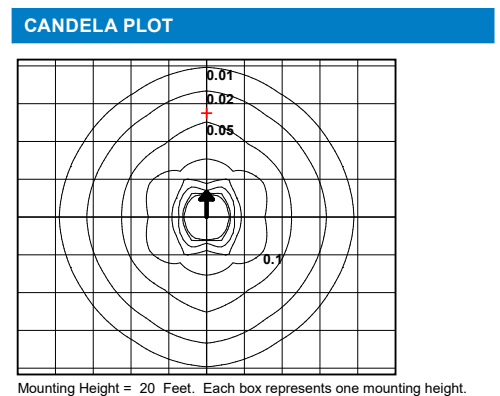
LUMINAIRE DATA	
Part Number	BLFT6-40L-U-CCTS-BRZ
Description	LED Bollard, Flat, 4000 Lumens, 5000K CCT, High Impact Polycarbonate Lens, Bronze Finish.
Fixture Lumens (lm)	3997
Wattage (W)	30.9
Efficacy (lm/W)	129
Spacing Criteria	0° = 16.96, 90° = 15.90

ZONAL LUMEN SUMMARY		
Zone	Lumens (lm)	% Fixture
0° - 40°	506	13%
0° - 60°	1788	45%
0° - 90°	3645	91%
90° - 180°	352	9%
0° - 180°	3997	100%



LUMINAIRE DATA	
Part Number	BLFLT6-15L-U-CCTS-BRZ
Description	LED Bollard, Flat with Aluminum Reflector, 1500 Lumens, 3000K CCT, High Impact Polycarbonate Lens, Bronze Finish.
Fixture Lumens (lm)	1163
Wattage (W)	30.7
Efficacy (lm/W)	38
Spacing Criteria	0° = 0.02

ZONAL LUMEN SUMMARY		
Zone	Lumens (lm)	% Fixture
0° - 40°	14	1%
0° - 60°	327	28%
0° - 90°	1055	91%
90° - 180°	109	9%
0° - 180°	1163	100%





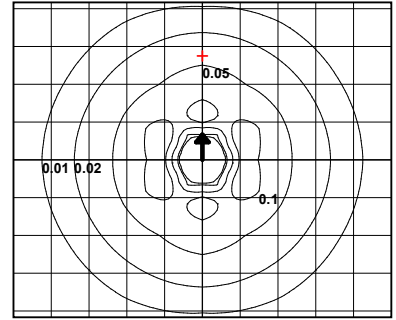
# BLT7 BOLLARDS

## PHOTOMETRIC DATA

LUMINAIRE DATA	
Part Number	BLFLT6-15L-U-CCTS-BRZ
Description	LED Bollard, Flat with Aluminum Reflector, 1500 Lumens, 4000K CCT, High Impact Polycarbonate Lens, Bronze Finish.
Fixture Lumens (lm)	1321
Wattage (W)	30
Efficacy (lm/W)	44.0
Spacing Criteria	0° = 0.02

ZONAL LUMEN SUMMARY		
Zone	Lumens (lm)	% Fixture
0° - 40°	12.29	1%
0° - 60°	294.89	22%
0° - 90°	1188.22	90%
90° - 180°	132.85	10%
0° - 180°	1321.07	100%

### CANDELA PLOT

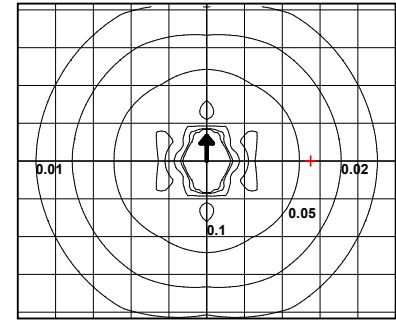


Mounting Height = 20 Feet. Each box represents one mounting height.

LUMINAIRE DATA	
Part Number	BLFLT6-15L-U-CCTS-BRZ
Description	LED Bollard, Flat with Aluminum Reflector, 1500 Lumens, 5000K CCT, High Impact Polycarbonate Lens, Bronze Finish.
Fixture Lumens (lm)	1398
Wattage (W)	30.7
Efficacy (lm/W)	45
Spacing Criteria	0° = 0.02

ZONAL LUMEN SUMMARY		
Zone	Lumens (lm)	% Fixture
0° - 40°	10	1%
0° - 60°	246	18%
0° - 90°	1251	90%
90° - 180°	147	11%
0° - 180°	1398	100%

### CANDELA PLOT



Mounting Height = 20 Feet. Each box represents one mounting height.