



DISCOVERY
LINEAR STRIP

PRODUCT
OVERVIEW



SCAN OR
CLICK HERE

FEATURES

- Highly configurable BAA spec-grade strip luminaire available in 2ft, 4ft, and 8ft lengths, with 18 lumen packages (2,000–20,000 lumens), available in 3000K, 3500K, 4000K, and 5000K CCT with high-efficacy options. Sleek injection-molded endcap design
- Sleek Injection-molded endcaps with no visible fasteners, decorative no-knockout option, and precision-designed IK06-rated curved or flat frosted acrylic lenses.
- Available with precision-engineered low UGR curved and flat frosted acrylic lens options, rated IK06 for impact resistance.
- Integrated wireless grouping controls and flexible mounting configurations, including surface, cable, suspension, pendant, and wall options.
- Designed for an ambient temperature range of -4°F up to 122°F. Please see Ambient Temperature Range Table of Spec Sheet for more.
- ETL listed for dry and damp locations, with a standard 5-year warranty (optional 10-year warranty available).

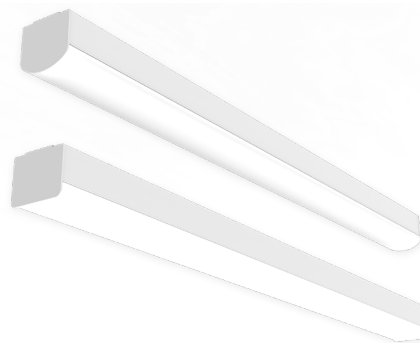
DIGITAL NAVIGATION

 Explore the spec sheet through the links below

[ORDERING GUIDE](#)
[CONTROLS](#)

[LED SYSTEMS TABLE](#)
[LINE DRAWINGS](#)

[AMBIENT TEMP. RANGE](#)
[PHOTOMETRIC DATA](#)



SUITABLE APPLICATIONS

- Offices
- Retail
- Healthcare
- Education
- Warehouses
- Hallways
- Storage Facility
- Distribution Centers
- Garages
- Grocery Stores

CERTIFICATIONS



*Optional



SPECIFICATIONS

CONSTRUCTION

Steel housing body for rigidity, durability, and ease of installation. Designed to achieve maximum performance and improved aesthetics. Injection molded end caps provide sleek and robust design. End caps available with knockouts or No End Cap Knockout Options (NEKO). Power access plate mounted on back of fixture for easy access to wiring in addition to various knockouts along back of fixture. Product proudly assembled in the United States of America.

INSTALLATION

Designed for a variety of mounting solutions including ceiling, wall, pendant and suspended. Fixtures can be mounted in continuous rows with appropriate hardware and wiring options. Knockouts mounted on back and end of fixture for electrical access and mounting.

ELECTRICAL

Class 2 LED light engine for high efficacy and long life. Calculated L70 > 100,000 hrs and L90 > 54,000 hrs. LED Lumen Maintenance Estimates based on TM-21 projections for the light source at 25°C ambient. Power Factor > 0.90. THD < 20%. Standard 120-277 Vac 0-10V dimmable (10%-100%) with optional 347 Vac High Voltage, Bi-Level, 1% Dimming, and 120V Line Voltage Dimming Options. Optional emergency battery backups, generator transfer device, and UL924 devices available to meet critical life safety lighting requirements.

OPTICS

IK06 impact resistant Curved and Flat Frosted Glare Reducing Acrylic lens available for durability and LED Glare reduction. Standard wide and optional narrow distribution optics available. Field removable lens section for easy access to driver channel for installation and maintenance.

CONTROLS

Factory installed Advanced and Basic sensor options available to maximize energy savings. Please see more information below on Pages 7 & 8. Inquire with manufacturer for additional controls options, including customer supplied items.

CERTIFICATIONS

ETL Listed to US and Canadian safety standards. Suitable for damp locations. Title 24 Compliant with sensor option; see local ordinance for qualification information. DLC (DesignLights Consortium) Premium Qualified. Please refer to the DLC Qualified Products List at www.Designlights.org/QPL to confirm specific product qualifications.

WARRANTY

5 Year Warranty Standard; 10 Year Warranty Optional ([Terms and Conditions apply](#)).



ORDERING GUIDE

*Footnotes on page 3

PART #

Example: DSC4-4LHE-U-40-FCL-NEKO-EM10

| SERIES | LUMENS | LIGHT ENGINE | DRIVER | 80 CRI/CCT | LENS | DISTRIBUTION | END CAP |
|-------------------|--|------------------|----------------------|--|--|--------------------------------------|--|
| DSC2 2' Discovery | 2L 2,000 lm 3L 3,000 lm 4L 4,000 lm | HE High Efficacy | U 120-277V HV347V | 50 5000K 40 4000K 35 3500K 30 3000K | FFL Frosted Flat Lens FCL Frosted Curved Lens | BLANK Wide ND ³ Narrow | BLANK End Cap w/ Knockout NEKO End Cap w/o Knockout |
| DSC4 4' Discovery | 2L 2,000 lm 3L 3,000 lm 4L 4,000 lm 6L 6,000 lm 8L ¹ 8,000 lm 10L ¹⁵ 10,000 lm | | | 90 CRI/CCT ¹ 940 4000K 935 3500K 930 3000K | FFLGR Frosted Flat Glare Reducing Lens FCLGR Frosted Curved Glare Reducing Lens | | |
| DSC8 8' Discovery | 5L 5,000 lm 6L 6,000 lm 8L 8,000 lm 10L 10,000 lm 12L 12,000 lm 14L ²¹ 14,000 lm 16L ^{13,21} 16,000 lm 18L ^{13,21} 18,000 lm 20L ^{13,21} 20,000 lm | | | | | | |

| FINISH | ALT DRIVER | SPECIFIED LUMEN OUTPUT | EMERGENCY |
|--|--|---|--|
| BLANK White BLK ¹² Black SLV ¹² Silver RALxxxx ¹² Custom (xxxx= 4 Digit RAL #) | BLANK None SR ²⁰ Sensor Ready Driver DR ²⁰ DALI Ready Driver DIM1 ²⁰ 1% Dimming Driver BLD ^{20,22} Bi-Level Dimming Driver w/ Two Hot Leads (100%/50%) LVD120 ²⁰ Mark X Phase Dimming 120V | BLANK None SMLxxxx ¹⁹ Specified Lumen Output (xxxx = lumen output, nearest hundred) | BLANK None EM6 ^{7,14} 6W Battery Backup EM6/HE ^{7,14} 6W Battery Backup - CEC Title 20 Compliant EM6/HE/SD ^{7,14} 6W Self Diagnostic Battery Backup - CEC Title 20 Compliant EM10 ^{7,14} 10W Battery Backup EM10/HE ^{7,14} 10W Battery Backup - CEC Title 20 Compliant EM10/HE/SD ^{7,14} 10W Battery Backup - Self Diagnostic EM12 ^{7,14} 12W Battery Backup GTD ⁷ Generator Transfer Device DTS ⁷ Dimming Transfer Switch |

| CONTROLS OPTIONS | | MOUNTING | WIRING |
|--|---|--|--|
| BASIC | ADVANCED | | |
| BLANK None FIOS ^{1,8,15} On/Off Occupancy Sensor FIOSPC ^{1,8} On/Off Occupancy Sensor w/ Photocell FIOSPC/DLH ^{1,8,17} On/Off Occupancy Sensor w/ Daylight Harvesting DHPC ^{6,15,17} Daylight Harvesting Photocell USB ^{2,8,17} User Selectable Bi-Level Dimming Occupancy Sensor BDxx ^{2,8,17} Preset Bi-Level Dimming Occupancy Sensor (xx=% eg. 20,30) BDxxPC ^{2,8,17} Preset Bi-Level Dimming Occupancy Sensor (xx=% eg. 20,30) w/ Photocell | BLANK None NURO ^{1,8,11,17,23} NUROAir Integrated Bluetooth Groupable Sensor NURO/MWS ^{8,11,17,23} NUROAir Integrated Microwave Groupable Sensor ESMC ^{1,8,11,17} EasySense Grouping Sensor for Mounting Heights < 10ft ESMC/HB ^{6,9,17} EasySense Grouping Sensor for Mounting Heights > 10ft VDO ^{1,4,8,17} Lutron Vive DFCSJ-OEM-OCC (Daylight & Occupancy) VRF ^{1,4,8,17} Lutron Vive DFCSJ-OEM-RF (RF Only) AWN ^{1,8,17} Lutron Athena Wireless Node RF Only AWNS ^{1,8,17} Lutron Athena Wireless Node with Sensor | BLANK None FMB/HUB34 ¹⁰ Fixture Mounting Box with Conduit Hub 3/4" for Pendant Mount | BLANK None RW/3W ^{5,16} 3 Wire Raceway Wiring Harness for continuous wiring through fixture (non-dimming) RW/5W ^{5,16} 5 Wire Raceway Wiring Harness for continuous wiring through fixture (dimming) |

FOOTNOTES

- ¹ Adds 2in to Nominal Fixture Length. See Line Drawings for more detail
- ² Adds 4in to Nominal Fixture Length. See Line Drawings for more detail
- ³ Option Ships without Lens
- ⁴ Must be used with SR Sensor Ready Driver
- ⁵ Used only when mounting fixtures in continuous rows. One needed between each fixture.
- ⁶ Mounted on End Cap of fixture. Not compatible with NEKO option.
- ⁷ Not available with DSC2 models
- ⁸ Mounted Integral within Fixture Length
- ⁹ Easily Controlled via Mobile Phone with Philips MasterConnect Bluetooth App
- ¹⁰ One single point mounting provided for 4' sections, Two provided for 8' sections.
- ¹¹ Easily Controlled via Mobile Phone with Bluetooth App
- ¹² May reduce max ambient; consult factory
- ¹³ Not available with 90CRI option
- ¹⁴ Operation down to 32°F
- ¹⁵ Operation down to 14°F
- ¹⁶ Not compatible with NEKO option. Wired through end cap of fixture.
- ¹⁷ Not compatible with RW/5W
- ¹⁸ Not Compatible RS or RA Option
- ¹⁹ May lose compatibility with sensor options. For more information please contact Factory
- ²⁰ Not available with HV driver option
- ²¹ Not available with FFL and FCL lens options
- ²² Will not work with the stepdowns or sensors
- ²³ Contact factory for specification compatibility

CONTINUE TO NEXT PAGE



ORDERING GUIDE (Continued)

| CORD | |
|-------------|--|
| BLANK | None |
| Cx/yW | Cord (x=Length;6,10,15) (y=# of conductors; 3,4,5,6) |
| Cx/3W/L715P | 3 Wire cord with a L715P plug attached (x=Length; 6,10) |
| QDx/yW | Quick Disconnect Cord (x=Length; 6,10,15) (y=# of conductors; 3,4,5,6) |

| WARRANTY | |
|----------|---------|
| BLANK | 5 Year |
| 10YR | 10 Year |

| ACCESSORIES | |
|------------------------|--|
| NURO-SW-3B-BA-BL-WP-V1 | NUROAir Bluetooth 3-Key Wireless Battery Powered Wall Switch |
| NURO-SW-5B-BA-BL-WP-V1 | NUROAir Bluetooth 5-Key Wireless Battery Powered Wall Switch |
| NURO-SW-7B-AC-BL-WP-V1 | NUROAir Bluetooth 7-Key Line Voltage (AC 120-277V) Powered Wall Switch |
| ACxY | Adjustable Y-Toggle aircraft cable set (x = length ; 5' or 10') |
| +DSCx WC ¹⁸ | 11ga Unpainted Galvanized Finish Wire Cage (X=2, 4, 8) |
| +DSC TGMB | T-Grid Mounting Bracket Set |
| +DSC WMB 45DEG | 45 Degree Angled Mounting Bracket Set |
| +DSC-ALBR ⁵ | Continuous Row Alignment Bracket |
| +DSC-QMBR | Quick Surface Mounting Bracket Set |
| +DSCx RS | Reflector Kit, Symmetrical, White (x=2, 4, 8) |
| +DSCx RA | Reflector Kit, Asymmetrical, White (x=2, 4, 8) |
| ESMC/WWS/DR | EasySense Dual Rocker Wireless Wall Switch |

FOOTNOTES

- ¹ Adds 2in to Nominal Fixture Length. See Line Drawings for more detail
- ² Adds 4in to Nominal Fixture Length. See Line Drawings for more detail
- ³ Option Ships without Lens
- ⁴ Must be used with SR Sensor Ready Driver
- ⁵ Used only when mounting fixtures in continuous rows.
One needed between each fixture.
- ⁶ Mounted on End Cap of fixture. Not compatible with NEKO option.
- ⁷ Not available with DSC2 models
- ⁸ Mounted Integral within Fixture Length
- ⁹ Easily Controlled via Mobile Phone with Philips MasterConnect Bluetooth App
- ¹⁰ One single point mounting provided for 4' sections, Two provided for 8' sections.
- ¹¹ Easily Controlled via Mobile Phone with Bluetooth App
- ¹² May reduce max ambient; consult factory
- ¹³ Not available with 90CRI option
- ¹⁴ Operation down to 32°F
- ¹⁵ Operation down to 14°F
- ¹⁶ Not compatible with NEKO option. Wired through end cap of fixture.
- ¹⁷ Not compatible with RW/5W
- ¹⁸ Not Compatible RS or RA Option
- ¹⁹ May lose compatibility with sensor options.
For more information please contact Factory
- ²⁰ Not available with HV driver option
- ²¹ Not available with FFL and FCL lens options
- ²² Will not work with the stepdowns or sensors
- ²³ Only compatible with DSC4-4LHE-U-40-FFLGR & DSC8 4LHE-U-40-FFLGR. Contact Factory for additional product compatibility

LED SYSTEMS INFO

| LED SYSTEMS INFO ¹ | Light Engine | Lens | 3000K | | 3500K | | 4000K | | 5000K | | Wattage ² | Replaces | CRI | DLC Listing ³ |
|-------------------------------|--------------|-------|--------|------|--------|------|--------|------|--------|------|----------------------|----------|-----|--------------------------|
| | | | Lumens | lm/W | Lumens | lm/W | Lumens | lm/W | Lumens | lm/W | | | | |
| DSC2-2L | HE | FFLGR | 2255 | 143 | 2294 | 146 | 2332 | 148 | 2409 | 153 | 16 | 1T8 | 80 | Standard |
| | | FCLGR | 2282 | 145 | 2321 | 148 | 2360 | 150 | 2438 | 155 | | | | Standard |
| | | FFL | 1741 | 128 | 1770 | 130 | 1800 | 132 | 1860 | 137 | | | | Standard |
| | | FCL | 1777 | 131 | 1807 | 133 | 1837 | 135 | 1898 | 140 | | | | Standard |
| DSC2-3L | HE | FFLGR | 3037 | 156 | 3089 | 158 | 3141 | 161 | 3244 | 166 | 19 | 2T8 | 80 | Standard |
| | | FCLGR | 3073 | 158 | 3126 | 160 | 3178 | 163 | 3283 | 168 | | | | Standard |
| | | FFL | 2733 | 140 | 2780 | 143 | 2827 | 145 | 2920 | 150 | | | | Standard |
| | | FCL | 2766 | 142 | 2813 | 144 | 2860 | 147 | 2955 | 152 | | | | Standard |
| DSC2-4L | HE | FFLGR | 3852 | 147 | 3918 | 149 | 3983 | 152 | 4115 | 157 | 20 | 2T8 | 80 | Standard |
| | | FCLGR | 3897 | 149 | 3964 | 151 | 4031 | 154 | 4164 | 159 | | | | Standard |
| | | FFL | 3466 | 132 | 3526 | 134 | 3585 | 137 | 3704 | 141 | | | | Standard |
| | | FCL | 3508 | 134 | 3568 | 136 | 3628 | 138 | 3748 | 143 | | | | Standard |
| DSC4-2L | HE | FFLGR | 2602 | 159 | 2646 | 162 | 2691 | 164 | 2780 | 170 | 16 | 1T8 | 80 | Premium |
| | | FCLGR | 2633 | 161 | 2678 | 163 | 2723 | 166 | 2813 | 172 | | | | Standard |
| | | FFL | 2309 | 141 | 2348 | 143 | 2388 | 145 | 2467 | 150 | | | | Standard |
| | | FCL | 2336 | 142 | 2376 | 145 | 2416 | 147 | 2496 | 152 | | | | Standard |
| DSC4-3L | HE | FFLGR | 3051 | 152 | 3103 | 155 | 3155 | 157 | 3260 | 162 | 20 | 2T8 | 80 | Premium |
| | | FCLGR | 3087 | 154 | 3140 | 156 | 3193 | 159 | 3299 | 164 | | | | Standard |
| | | FFL | 2746 | 137 | 2793 | 139 | 2840 | 141 | 2934 | 146 | | | | Standard |
| | | FCL | 2779 | 138 | 2826 | 141 | 2874 | 143 | 2969 | 148 | | | | Standard |



LED SYSTEMS INFO (Continued)

| LED SYSTEMS INFO ¹ | | Light Engine | Lens | 3000K | | 3500K | | 4000K | | 5000K | | Wattage ² | Replaces | CRI | DLC Listing ³ |
|-------------------------------|----|--------------|-------|--------|-------|--------|-------|--------|-------|--------|------|----------------------|----------|----------|--------------------------|
| Part Numbers | | | | Lumens | lm/W | Lumens | lm/W | Lumens | lm/W | Lumens | lm/W | | | | |
| DSC4-4L | HE | FFLGR | 4533 | 149 | 4611 | 151 | 4689 | 154 | 4844 | 159 | 30 | 2T8 | 80 | Premium | |
| | | FCLGR | 4587 | 151 | 4666 | 153 | 4744 | 156 | 4901 | 161 | | | | Premium | |
| | | FFL | 4080 | 134 | 4150 | 136 | 4220 | 139 | 4359 | 143 | | | | Standard | |
| | | FCL | 4129 | 136 | 4199 | 138 | 4270 | 140 | 4411 | 145 | | | | Standard | |
| DSC4-6L | HE | FFLGR | 6270 | 154 | 6377 | 156 | 6485 | 159 | 6699 | 164 | 41 | 3T8 | 80 | Premium | |
| | | FCLGR | 6278 | 152 | 6385 | 155 | 6493 | 157 | 6708 | 162 | | | | Premium | |
| | | FFL | 5709 | 138 | 5807 | 141 | 5905 | 143 | 6100 | 148 | | | | Standard | |
| | | FCL | 5650 | 137 | 5747 | 139 | 5844 | 141 | 6037 | 146 | | | | Standard | |
| DSC4-8L | HE | FFLGR | 8954 | 150 | 9107 | 153 | 9260 | 155 | 9566 | 161 | 60 | 2T5HO | 80 | Premium | |
| | | FCLGR | 9060 | 152 | 9215 | 155 | 9370 | 157 | 9680 | 162 | | | | Premium | |
| | | FFL | 8058 | 135 | 8196 | 138 | 8334 | 140 | 8610 | 144 | | | | Standard | |
| | | FCL | 8154 | 137 | 8294 | 139 | 8433 | 141 | 8712 | 146 | | | | Standard | |
| DSC4-10L | HE | FFLGR | 9776 | 136 | 9943 | 139 | 10111 | 141 | 10445 | 146 | 72 | 3T5HO | 80 | Premium | |
| | | FCLGR | 9836 | 137 | 10067 | 140 | 10236 | 143 | 10575 | 147 | | | | Premium | |
| | | FFL | 9110 | 125 | 9296 | 127 | 9453 | 129 | 9766 | 134 | | | | Standard | |
| | | FCL | 8979 | 122 | 9129 | 124 | 9283 | 126 | 9590 | 131 | | | | Standard | |
| DSC8-5L | HE | FFLGR | 4891 | 156 | 4975 | 159 | 5058 | 162 | 5226 | 167 | 31 | 2T8 | 80 | Premium | |
| | | FCLGR | 4949 | 158 | 5034 | 161 | 5118 | 164 | 5288 | 169 | | | | Premium | |
| | | FFL | 4564 | 140 | 4642 | 143 | 4720 | 145 | 4876 | 150 | | | | Standard | |
| | | FCL | 4618 | 142 | 4697 | 144 | 4776 | 147 | 4934 | 152 | | | | Standard | |
| DSC8-6L | HE | FFLGR | 6151 | 155 | 6257 | 158 | 6362 | 161 | 6572 | 166 | 40 | 4T8 | 80 | Premium | |
| | | FCLGR | 6224 | 157 | 6331 | 160 | 6437 | 163 | 6650 | 168 | | | | Premium | |
| | | FFL | 5536 | 140 | 5631 | 142 | 5726 | 145 | 5915 | 149 | | | | Standard | |
| | | FCL | 5602 | 141 | 5698 | 144 | 5794 | 146 | 5985 | 151 | | | | Standard | |
| DSC8-8L | HE | FFLGR | 8879 | 149 | 9031 | 152 | 9183 | 154 | 9487 | 159 | 60 | 2T5HO | 80 | Premium | |
| | | FCLGR | 8985 | 151 | 9138 | 154 | 9292 | 156 | 9599 | 161 | | | | Premium | |
| | | FFL | 7991 | 134 | 8128 | 137 | 8265 | 139 | 8538 | 143 | | | | Standard | |
| | | FCL | 8086 | 136 | 8224 | 138 | 8363 | 141 | 8639 | 145 | | | | Standard | |
| DSC8-10L | HE | FFLGR | 10786 | 154 | 10971 | 157 | 11155 | 159 | 11524 | 164 | 70 | 2T5HO | 80 | Premium | |
| | | FCLGR | 10914 | 156 | 11101 | 158 | 11288 | 161 | 11661 | 166 | | | | Premium | |
| | | FFL | 9708 | 138 | 9874 | 141 | 10040 | 143 | 10372 | 148 | | | | Standard | |
| | | FCL | 9823 | 140 | 9991 | 143 | 10159 | 145 | 10495 | 150 | | | | Standard | |
| DSC8-12L | HE | FFLGR | 12592 | 150 | 12808 | 153 | 13023 | 155 | 13454 | 160 | 83 | 6T8 | 80 | Premium | |
| | | FCLGR | 12742 | 152 | 12960 | 154 | 13178 | 157 | 13614 | 162 | | | | Premium | |
| | | FFL | 11333 | 135 | 11527 | 137 | 11721 | 140 | 12109 | 144 | | | | Standard | |
| | | FCL | 11468 | 137 | 11664 | 139 | 11860 | 141 | 12252 | 146 | | | | Standard | |
| DSC8-14L | HE | FFLGR | 13112 | 144 | 13336 | 146 | 13561 | 149 | 14009 | 154 | 91 | 6T8 | 80 | Premium | |
| | | FCLGR | 13268 | 146 | 13495 | 148 | 13722 | 151 | 14176 | 156 | | | | Premium | |
| DSC8-16L | HE | FFLGR | 14993 | 142 | 15250 | 145 | 15506 | 147 | 16019 | 152 | 105 | 4T5HO | 80 | Premium | |
| | | FCLGR | 15171 | 144 | 15431 | 146 | 15691 | 149 | 16210 | 154 | | | | Premium | |
| DSC8-18L | HE | FFLGR | 16733 | 140 | 17019 | 142 | 17305 | 145 | 17878 | 149 | 120 | 4T5HO | 80 | Premium | |
| | | FCLGR | 16932 | 142 | 17221 | 144 | 17511 | 146 | 18090 | 151 | | | | Premium | |
| DSC8-20L | HE | FFLGR | 19635 | 137 | 19971 | 139 | 20307 | 142 | 20979 | 146 | 143 | 6T5HO | 80 | Premium | |
| | | FCLGR | 19868 | 139 | 20208 | 141 | 20548 | 143 | 21228 | 148 | | | | Premium | |

¹Values are nominal, check IES file for more detail

²Electrical data at 25C (77F). Actual wattage may differ by +/-10%.

³All SKUs may not be DLC listed, check QPL



90CRI LED SYSTEMS INFO

| LED SYSTEMS INFO ¹ | | Light Engine | Lens | 3000K | | 3500K | | 4000K | | 5000K | | Wattage ² | Replaces | CRI | DLC Listing ³ |
|-------------------------------|----|--------------|-------|--------|-------|--------|-------|--------|-------|--------|------|----------------------|----------|------------|--------------------------|
| Part Numbers | | | | Lumens | lm/W | Lumens | lm/W | Lumens | lm/W | Lumens | lm/W | | | | |
| DSC2-2L | HE | FFLGR | 1764 | 136 | 1794 | 138 | 1824 | 140 | 1885 | 145 | 13 | 1T8 | 90 | Not Listed | |
| | | FCLGR | 1785 | 137 | 1816 | 140 | 1846 | 142 | 1907 | 147 | | | | Not Listed | |
| | | FFL | 1574 | 121 | 1601 | 123 | 1628 | 125 | 1682 | 129 | | | | Not Listed | |
| | | FCL | 1606 | 124 | 1634 | 126 | 1661 | 128 | 1716 | 132 | | | | Not Listed | |
| DSC2-3L | HE | FFLGR | 2585 | 131 | 2629 | 133 | 2674 | 135 | 2762 | 139 | 20 | 2T8 | 90 | Not Listed | |
| | | FCLGR | 2616 | 132 | 2661 | 134 | 2705 | 137 | 2795 | 141 | | | | Not Listed | |
| | | FFL | 2327 | 118 | 2366 | 120 | 2406 | 122 | 2486 | 126 | | | | Not Listed | |
| | | FCL | 2354 | 119 | 2394 | 121 | 2435 | 123 | 2515 | 127 | | | | Not Listed | |
| DSC2-4L | HE | FFLGR | 3375 | 125 | 3433 | 127 | 3490 | 129 | 3606 | 133 | 27 | 2T8 | 90 | Not Listed | |
| | | FCLGR | 3415 | 126 | 3473 | 128 | 3532 | 130 | 3649 | 135 | | | | Not Listed | |
| | | FFL | 3037 | 112 | 3089 | 114 | 3141 | 116 | 3245 | 120 | | | | Not Listed | |
| | | FCL | 3074 | 113 | 3126 | 115 | 3179 | 117 | 3284 | 121 | | | | Not Listed | |
| DSC4-2L | HE | FFLGR | 2279 | 142 | 2318 | 144 | 2357 | 146 | 2435 | 151 | 16 | 1T8 | 90 | Not Listed | |
| | | FCLGR | 2306 | 143 | 2345 | 146 | 2385 | 148 | 2464 | 153 | | | | Not Listed | |
| | | FFL | 2016 | 125 | 2051 | 127 | 2085 | 130 | 2154 | 134 | | | | Not Listed | |
| | | FCL | 2040 | 127 | 2075 | 129 | 2110 | 131 | 2180 | 135 | | | | Not Listed | |
| DSC4-3L | HE | FFLGR | 2683 | 140 | 2729 | 143 | 2774 | 145 | 2866 | 150 | 19 | 2T8 | 90 | Not Listed | |
| | | FCLGR | 2715 | 142 | 2761 | 145 | 2807 | 147 | 2900 | 152 | | | | Not Listed | |
| | | FFL | 2414 | 126 | 2456 | 129 | 2497 | 131 | 2580 | 135 | | | | Not Listed | |
| | | FCL | 2443 | 128 | 2485 | 130 | 2527 | 132 | 2610 | 137 | | | | Not Listed | |
| DSC4-4L | HE | FFLGR | 3533 | 137 | 3594 | 140 | 3654 | 142 | 3775 | 147 | 26 | 2T8 | 90 | Not Listed | |
| | | FCLGR | 3575 | 139 | 3636 | 141 | 3697 | 144 | 3820 | 149 | | | | Not Listed | |
| | | FFL | 3180 | 124 | 3234 | 126 | 3289 | 128 | 3397 | 132 | | | | Not Listed | |
| | | FCL | 3218 | 125 | 3273 | 127 | 3328 | 129 | 3438 | 134 | | | | Not Listed | |
| DSC4-6L | HE | FFLGR | 5445 | 130 | 5538 | 132 | 5632 | 135 | 5818 | 139 | 42 | 3T8 | 90 | Not Listed | |
| | | FCLGR | 5389 | 129 | 5481 | 131 | 5573 | 133 | 5758 | 138 | | | | Not Listed | |
| | | FFL | 4901 | 117 | 4985 | 119 | 5068 | 121 | 5236 | 125 | | | | Not Listed | |
| | | FCL | 4850 | 116 | 4933 | 118 | 5016 | 120 | 5182 | 124 | | | | Not Listed | |
| DSC4-8L | HE | FFLGR | 7531 | 123 | 7659 | 125 | 7788 | 127 | 8046 | 131 | 61 | 2T5HO | 90 | Not Listed | |
| | | FCLGR | 7620 | 124 | 7750 | 126 | 7881 | 129 | 8142 | 133 | | | | Not Listed | |
| | | FFL | 6778 | 111 | 6893 | 112 | 7009 | 114 | 7241 | 118 | | | | Not Listed | |
| | | FCL | 6858 | 112 | 6975 | 114 | 7093 | 116 | 7327 | 120 | | | | Not Listed | |
| DSC8-5L | HE | FFLGR | 4500 | 142 | 4577 | 145 | 4654 | 147 | 4808 | 152 | 32 | 2T8 | 90 | Not Listed | |
| | | FCLGR | 4553 | 144 | 4631 | 147 | 4709 | 149 | 4865 | 154 | | | | Not Listed | |
| | | FFL | 4037 | 128 | 4106 | 130 | 4175 | 132 | 4314 | 137 | | | | Not Listed | |
| | | FCL | 4085 | 129 | 4155 | 131 | 4225 | 134 | 4365 | 138 | | | | Not Listed | |
| DSC8-6L | HE | FFLGR | 5652 | 141 | 5749 | 143 | 5846 | 146 | 6039 | 151 | 40 | 4T8 | 90 | Not Listed | |
| | | FCLGR | 5719 | 143 | 5817 | 145 | 5915 | 148 | 6111 | 152 | | | | Not Listed | |
| | | FFL | 5087 | 127 | 5174 | 129 | 5261 | 131 | 5435 | 136 | | | | Not Listed | |
| | | FCL | 5147 | 128 | 5235 | 131 | 5323 | 133 | 5500 | 137 | | | | Not Listed | |
| DSC8-8L | HE | FFLGR | 7902 | 135 | 8037 | 137 | 8172 | 139 | 8442 | 144 | 59 | 2T5HO | 90 | Not Listed | |
| | | FCLGR | 7995 | 136 | 8132 | 139 | 8269 | 141 | 8543 | 146 | | | | Not Listed | |
| | | FFL | 7111 | 121 | 7233 | 123 | 7355 | 126 | 7598 | 130 | | | | Not Listed | |
| | | FCL | 7196 | 123 | 7319 | 125 | 7442 | 127 | 7688 | 131 | | | | Not Listed | |
| DSC8-10L | HE | FFLGR | 9274 | 131 | 9432 | 133 | 9591 | 135 | 9908 | 140 | 71 | 2T5HO | 90 | Not Listed | |
| | | FCLGR | 9384 | 132 | 9544 | 134 | 9705 | 137 | 10026 | 141 | | | | Not Listed | |
| | | FFL | 8346 | 118 | 8489 | 120 | 8632 | 122 | 8917 | 126 | | | | Not Listed | |
| | | FCL | 8445 | 119 | 8590 | 121 | 8734 | 123 | 9023 | 127 | | | | Not Listed | |
| DSC8-12L | HE | FFLGR | 10890 | 130 | 11077 | 132 | 11263 | 135 | 11636 | 139 | 84 | 6T8 | 90 | Not Listed | |
| | | FCLGR | 11020 | 132 | 11208 | 134 | 11397 | 136 | 11774 | 141 | | | | Not Listed | |
| | | FFL | 9801 | 117 | 9969 | 119 | 10137 | 121 | 10472 | 125 | | | | Not Listed | |
| | | FCL | 9918 | 119 | 10087 | 121 | 10257 | 123 | 10597 | 127 | | | | Not Listed | |
| DSC8-14L | HE | FFLGR | 11951 | 126 | 12156 | 128 | 12360 | 131 | 12769 | 135 | 95 | 6T8 | 90 | Not Listed | |
| | | FCLGR | 12093 | 128 | 12300 | 130 | 12507 | 132 | 12921 | 136 | | | | Not Listed | |

¹Values are nominal, check IES file for more detail

²Electrical data at 25C (77F). Actual wattage may differ by +/-10%.

³All SKUs may not be DLC listed, check QPL



AMBIENT TEMPERATURE RANGE

| Part Number | Suspended | Surface |
|-------------|-----------|---------|
| DSC2-2LHE | 113 | 104 |
| DSC2-3LHE | 113 | 104 |
| DSC2-4LHE | 113 | 104 |
| DSC4-2LHE | 113 | 104 |
| DSC4-3LHE | 113 | 104 |
| DSC4-4LHE | 113 | 104 |
| DSC4-6LHE | 104 | 95 |
| DSC4-8LHE | 113 | 104 |
| DSC4-10LHE | 104 | 95 |
| DSC8-5LHE | 113 | 104 |
| DSC8-6LHE | 104 | 95 |
| DSC8-8LHE | 113 | 104 |
| DSC8-10LHE | 104 | 95 |
| DSC8-12LHE | 104 | 95 |
| DSC8-14LHE | 122 | 113 |
| DSC8-16LHE | 113 | 104 |
| DSC8-18LHE | 95 | 86 |
| DSC8-20LHE | 104 | 95 |

ELECTRICAL DATA (AMPS)

| Lumen Package | Wattage | 120V | 208V | 240V | 277V | 347V | 480V |
|---------------|---------|------|------|------|------|------|------|
| DSC2-2LHE | 15.7 | 0.13 | 0.08 | 0.07 | 0.06 | 0.05 | 0.03 |
| DSC2-3LHE | 19.5 | 0.16 | 0.09 | 0.08 | 0.07 | 0.06 | 0.04 |
| DSC2-4LHE | 26.2 | 0.22 | 0.13 | 0.11 | 0.09 | 0.08 | 0.05 |
| DSC4-2LHE | 16.4 | 0.14 | 0.08 | 0.07 | 0.06 | 0.05 | 0.03 |
| DSC4-3LHE | 20.1 | 0.17 | 0.10 | 0.08 | 0.07 | 0.06 | 0.04 |
| DSC4-4LHE | 30.4 | 0.25 | 0.15 | 0.13 | 0.11 | 0.09 | 0.06 |
| DSC4-6LHE | 40.8 | 0.34 | 0.20 | 0.17 | 0.15 | 0.12 | 0.09 |
| DSC4-8LHE | 59.6 | 0.50 | 0.29 | 0.25 | 0.22 | 0.17 | 0.12 |
| DSC4-10LHE | 71.8 | 0.60 | 0.35 | 0.30 | 0.26 | 0.21 | 0.15 |
| DSC8-5LHE | 31.3 | 0.26 | 0.15 | 0.13 | 0.11 | 0.09 | 0.07 |
| DSC8-6LHE | 39.6 | 0.33 | 0.19 | 0.17 | 0.14 | 0.11 | 0.08 |
| DSC8-8LHE | 59.5 | 0.50 | 0.29 | 0.25 | 0.21 | 0.17 | 0.12 |
| DSC8-10LHE | 70.1 | 0.58 | 0.34 | 0.29 | 0.25 | 0.20 | 0.15 |
| DSC8-12LHE | 82.5 | 0.69 | 0.40 | 0.34 | 0.30 | 0.24 | 0.17 |
| DSC8-14LHE | 91.1 | 0.76 | 0.44 | 0.38 | 0.33 | 0.26 | 0.19 |
| DSC8-16LHE | 105.5 | 0.88 | 0.51 | 0.44 | 0.38 | 0.30 | 0.22 |
| DSC8-18LHE | 119.6 | 1.00 | 0.58 | 0.50 | 0.43 | 0.34 | 0.25 |
| DSC8-20LHE | 143.5 | 1.20 | 0.69 | 0.60 | 0.52 | 0.41 | 0.30 |

¹Electrical data at 25C (77F). Actual wattage may differ by +/-10%

CONTROLS OPTIONS

BASIC

FIOS

Standard on/off motion sensor that provides 360° detection of motion from 8 to 20 ft mounting heights.

FIOSPC

Motion sensor with the addition of photocell control. When installed, fixture will not activate unless 1. motion is detected and 2. light levels are below the preset level. When activated, fixture will turn on to 100% light output & will only shut off when one of the two levels mentioned above are met. If no motion is detected & light levels fall below preset level the fixture remains off.

FIOSPC/DLH

Factory installed motion sensor with the addition of photocell control that will allow for daylight harvesting. When installed, fixture will not activate unless 1. motion is detected & 2. light levels are below the preset level. When activated, fixture will turn on only enough to meet the preset light levels and will adjust as the amount of light in the space adjusts between 100%-10%. If light levels are adequate the fixture will remain off.

DHPC

Daylight Harvesting off photocell. Fixtures will continually dim up/down throughout the day based on light level readings taken from the photocell control. Mounted off the end of the fixture

USBD

User Selectable Bi-Level Dimming. Allows the end user to manually select the unoccupied dimming level. Once motion is detected, the fixture will return to 100% light output.

BDxx

Factory set Bi-Level Dimming. Sensor is set to dim level, as indicated in the "xx" portion of the part number, when the area is unoccupied. Example: BD20 sets the fixture to dim down to 20% lumen output when the area is unoccupied. Once motion is detected, the fixture will return to 100% light output.

BDxxPC

Factory set Bi-Level Dimming with motion and photocell. Sensor is set to dim level, as indicated in the "xx" portion of the part number, when the area is unoccupied and will not return to 100% light output unless 1. motion is detected and 2.the light level is below the preset level. Example: BD20PC sets the fixture to dim down to 20% lumen output when the area is unoccupied and will not return to 100% light output unless the above conditions are met for both motion and light level readings.



CONTROLS OPTIONS (Continued)

ADVANCED

NUROAir by ILLUMUS

NURO

NUROAir Integrated Bluetooth Sensor is the optimal groupable controls lighting solution. With main features such as PIR Motion Sensing (Microwave options also available), Occupancy/Vacancy, Bi-Level Dimming and Daylight Harvesting - this flexibility makes the NUROAir Integrated Sensor ideal for tailoring lighting to specific space needs, optimizing both ambiance and efficiency. The NUROAir App, available for download on iOS and Google Play Store, offers a user-friendly interface for automatic or manual customization of your space. Through the app, users can configure sensor settings such as the Light Output, Hold Time, Standby Time/Level, High/Low End Trim, Background Light Level, Set Schedules, and Control Lighting Groups or Zones, all from a mobile or tablet device. Manual control is also available with a range of compatible wireless & wired wall switch options. Microwave sensor option available with NURO/MWS selection.



POWERED BY ILLUMUS, BRANDS



Click Here or Scan Code
to Learn More About

NUROAir Bluetooth Controls



EASYSense

ESMC

EasySense combines occupancy sensing, daylight harvesting and institutional tuning in one compact solution. This is an ideal control for any Commercial application. Each device allows you to turn on/off occupancy and/or daylight harvesting functions as well as set the full light output, background light level, occupancy prolong time, occupancy grace fading time, and occupancy time out/hold time. It can be easily controlled via the Phillips MasterConnect Bluetooth App on a mobile phone.



ESMC/HB

EasySense Grouping Sensor for Mounting Heights > 10ft. Combines occupancy sensing, daylight harvesting & institutional tuning in one compact solution. This is an ideal control for any commercial application. Each sensor allows you to turn on/off occupancy and/or daylight harvesting functions as well as set the full light output, background light level, occupancy prolong time, occupancy grace fading time and occupancy timeout/hold time. Requires use of EasySense Pre-Programmed Control Device (ES/PCD) & Commissioning IR Blaster (ES/IR); one of each needed per project. (Sold separately).

ESMC/WWS/DR

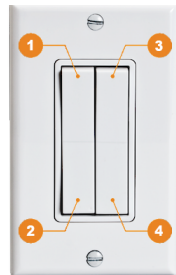
Optional Wireless / Batteryless Dual Rocker Wall Switch. Up to 100ft range. Functions include: On/Off, dimming and setting of (2) scenes for full room control.

Specifications:

- Wireless
- ZigBee®
- Batteryless
- 30-100ft Range
- Dual Rocker

Functions:

1. On (Hold to brighten up)
2. Off (Hold to dim down)
3. Scene 1
4. Scene 2



LUTRON

VDO

Vive DFCSJ-OEM-OCC integral fixture control sensor with daylight & occupancy. Vive provides intuitive programming allowing for maximum flexibility with wireless communication & sensing as desired. Provided with factory installed components only. Lutron system provided by others. Sensor must be used in conjunction with Pico Switch/Dimmer. Cannot be used in conjunction with mechanical on/off power switch. Contact factory for more information

VRF

Vive DFCSJ-OEM-RF integral fixture control with Radio Frequency (RF) communication. Vive provides intuitive programming allowing for maximum flexibility with wireless communication as desired. Provided with factory installed components only. Lutron system provided by others. Sensor must be used in conjunction with Pico Switch/Dimmer. Cannot be used in conjunction with mechanical on/off power switch. Contact factory for more information.



ANWR

Athena wireless node is a radio frequency (RF) device that enables simple, digital control of individual light fixtures in an Athena control system. Enables individual wireless control of each fixture in an Athena control system. Accommodates zone and control changes without rewiring. All drivers on the link are controlled as a single zone. Provided with factory installed components only. Lutron Athena system provided by others.



AWNS

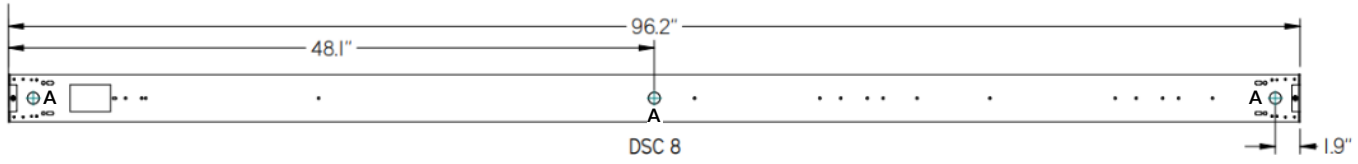
Athena wireless node with a sensor that enables simple, digital control of individual light fixtures in an Athena control system. Provides wireless control of the fixture and includes a passive infrared (PIR) sensor for occupancy and a daylight sensor. Enables individual wireless control of each fixture in an Athena control system. Accommodates zone and control changes without rewiring. All drivers on the link are controlled as a single zone. Provided with factory installed components only. Lutron Athena system provided by others.



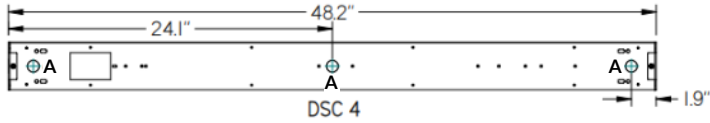


LINE DRAWINGS

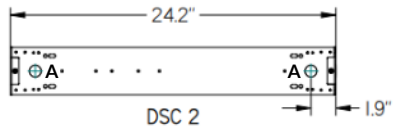
DSC 8: 96.2"



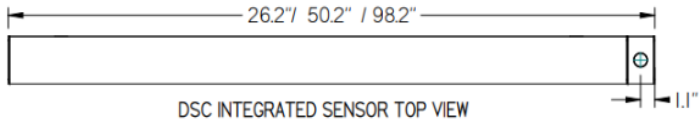
DSC 4: 48.2"



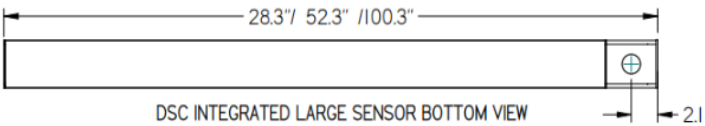
DSC 2: 24.2"



DSC2: 26.2" / DSC4: 50.2" / DSC8: 98.2"

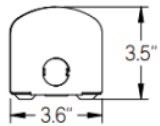


DSC2: 28.3" / DSC4: 52.3" / DSC8: 100.3"

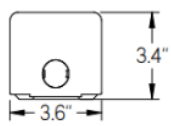


DSC - End Caps

Curved Lens
Side View



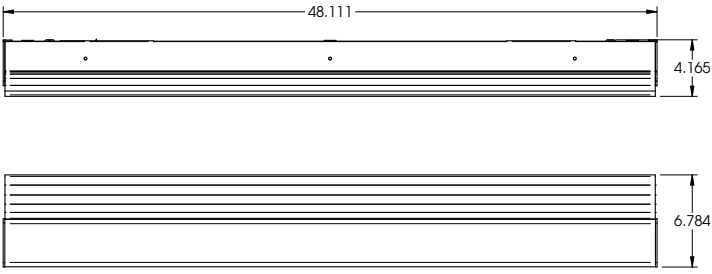
Flat Lens
Side View



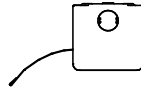


LINE DRAWINGS (Continued)

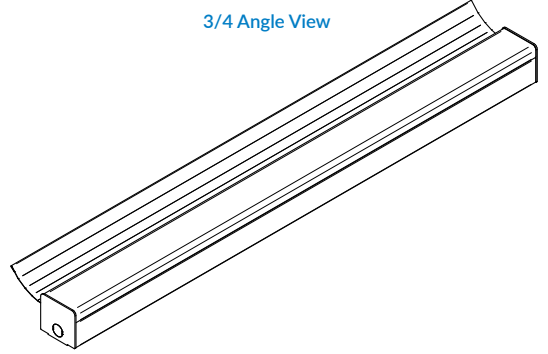
DSC 4: 48.2" - With RA Reflector Option



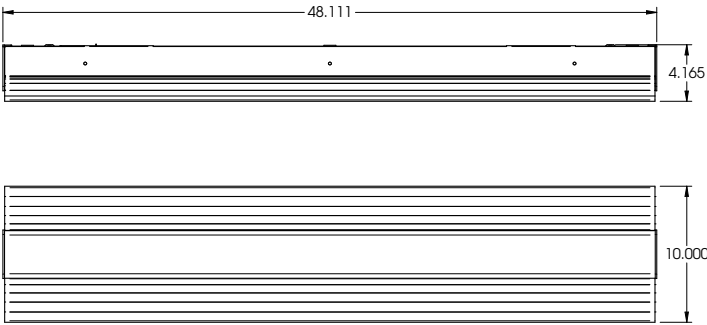
End Cap View



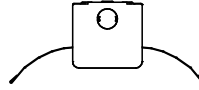
3/4 Angle View



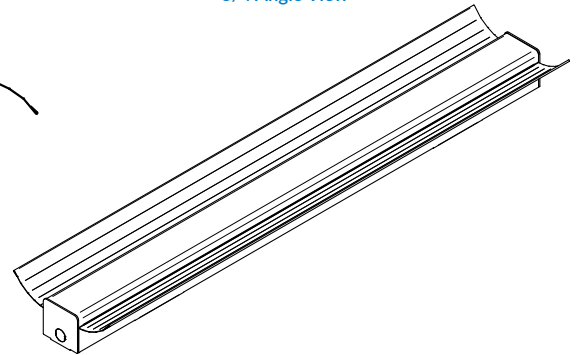
DSC 4: 48.2" - With RS Reflector Option



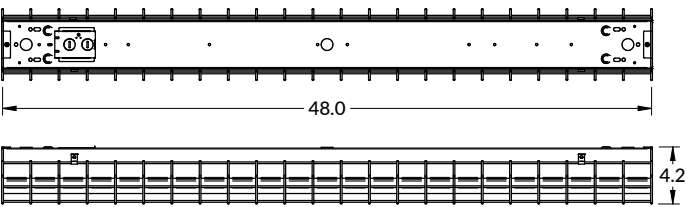
End Cap View



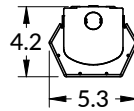
3/4 Angle View



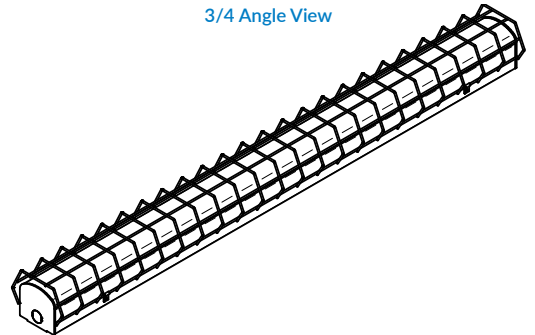
DSC 4 Curved Lens: 48.2" - With Wire Cage Option



End Cap View



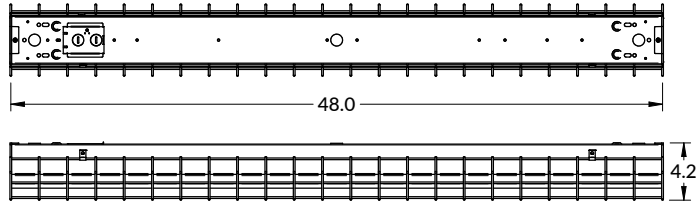
3/4 Angle View



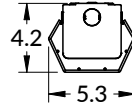


LINE DRAWINGS (Continued)

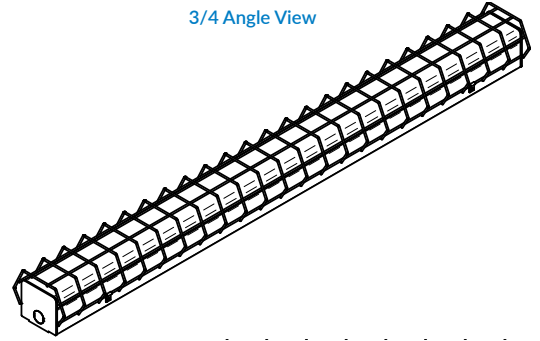
DSC 4 Flat Lens: 48.2" - With Wire Cage Option



End Cap View



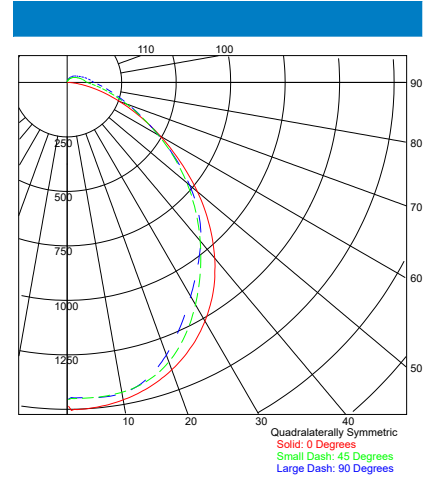
3/4 Angle View



PHOTOMETRIC DATA

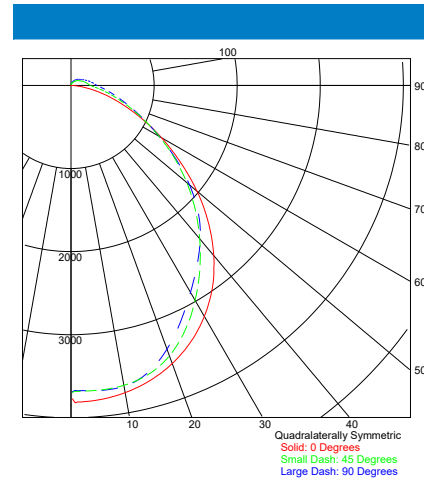
| LUMINAIRE DATA | |
|---------------------|--|
| Part Number | DSC2-4LHE-U-40-FFLGR |
| Description | 2ft Linear Strip, High Efficiency, 4,000 Lumens, 4000K, Frosted Flat Glare Reducing Lens |
| Fixture Lumens (lm) | 3983 Lumens |
| Wattage (W) | 26 W |
| Efficacy (lm/W) | 149 lm/W |
| Mounting | Surface |
| Spacing Criteria | 0° = 1.28, 90° = 1.18 |

| ZONAL LUMEN SUMMARY | | |
|---------------------|-------------|-----------|
| Zone | Lumens (lm) | % Fixture |
| 0° - 40° | 1809 | 45% |
| 0° - 60° | 3015 | 78% |
| 0° - 90° | 3734 | 99% |
| 90° - 180° | 249 | 1% |
| 0° - 180° | 3983 | 100% |



| LUMINAIRE DATA | |
|---------------------|---|
| Part Number | DSC4-10LHE-U-40-FFLGR |
| Description | 4ft Linear Strip, High Efficiency, 10,000 Lumens, 4000K, Frosted Flat Glare Reducing Lens |
| Fixture Lumens (lm) | 10111 Lumens |
| Wattage (W) | 72 W |
| Efficacy (lm/W) | 141 lm/W |
| Mounting | Surface |
| Spacing Criteria | 0° = 1.28, 90° = 1.18 |

| ZONAL LUMEN SUMMARY | | |
|---------------------|-------------|-----------|
| Zone | Lumens (lm) | % Fixture |
| 0° - 40° | 4592 | 45% |
| 0° - 60° | 7653 | 78% |
| 0° - 90° | 9479 | 99% |
| 90° - 180° | 632 | 1% |
| 0° - 180° | 10111 | 100% |



| LUMINAIRE DATA | |
|---------------------|---|
| Part Number | DSC8-20LHE-U-40-FFLGR |
| Description | 8ft Linear Strip, High Efficiency, 20,000 Lumens, 4000K, Frosted Flat Glare Reducing Lens |
| Fixture Lumens (lm) | 20307 Lumens |
| Wattage (W) | 143 W |
| Efficacy (lm/W) | 142 lm/W |
| Mounting | Surface |
| Spacing Criteria | 0° = 1.28, 90° = 1.18 |

| ZONAL LUMEN SUMMARY | | |
|---------------------|-------------|-----------|
| Zone | Lumens (lm) | % Fixture |
| 0° - 40° | 9223 | 45% |
| 0° - 60° | 15371 | 78% |
| 0° - 90° | 19037 | 99% |
| 90° - 180° | 1269 | 1% |
| 0° - 180° | 20307 | 100% |

