



ENDEAVOUR 2.0

LINEAR HIGH BAY

PRODUCT
OVERVIEW



SCAN OR
CLICK HERE

FEATURES

- Sleek, lightweight fixture with curved injection-molded end caps for aesthetic appeal and easy installation toolless access into the housing
- High efficiencies (up to 164 LPW) that translate into a low life cycle cost
- Offers lumen outputs up to 100,000 to accommodate various ceiling heights, fixture spacings, and application requirements
- Designed for ambient temperature settings from -40°F up to 131°F with High Temperature Options up to 149°F
- Efficient 1-for-1 replacement of linear fluorescent & HID fixtures that is configurable to current site requirements offering 17 different lumen and size configurations
- Precision designed optical performance in both wide and narrow distributions
- Uplight Options to optimize full room illumination

DIGITAL NAVIGATION

Explore the spec sheet through the links below

[ORDERING GUIDE](#)

[QUICK SHIP](#)

[LED SYSTEMS TABLE](#)

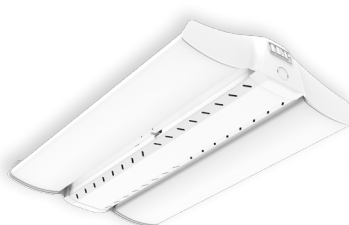
[AMBIENT TEMP. RANGE](#)

[CONTROLS](#)

[OPTIONS](#)

[LINE DRAWINGS](#)

[PHOTOMETRIC DATA](#)



Fixtures shown with Frosted Lens (FRL)

SUITABLE APPLICATIONS

- Gymnasium
- Hangar
- Manufacturing
- Retail
- Warehouse
- Government Facilities
- Distribution Centers
- Auto Service Bays/Lanes

CERTIFICATIONS



SPECIFICATIONS

CONSTRUCTION

Aluminum body with steel driver channel for maximum rigidity and thermal properties. Sleek curved polycarbonate injection molded end caps provide a modern finish while adding rigidity and durability. Toolless hinged driver door access for ease of maintenance and installation. Power access plate mounted on back of center driver channel for easy access to wiring. Product proudly assembled in the United States of America.

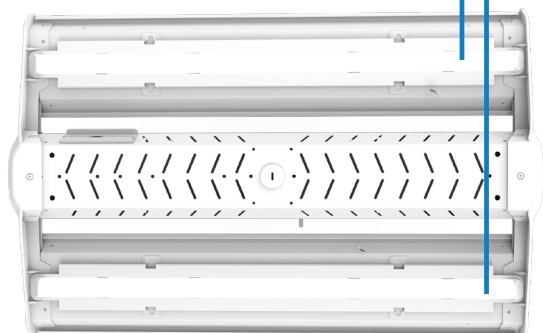
MOUNTING

Options include suspension chain, aircraft cables, hook, single pendant (HUB), surface mount (SMZB KIT EDV). Reduced maximum ambient range for surface mount.

UPLIGHT OPTION

Offers an additional layer of lighting to optimize full room illumination by reducing the contrast between the luminaire and the ceiling, eliminating the "cave" effect. With a dedicated individual switchable 0-10V (10%) dimmable driver and 2 linear strips of LED boards, the modules are encapsulated with a frosted polycarbonate lens. Optional uplight wired to sensor if ordered together.

Uplight Option Modules



ELECTRICAL

Class 2 LED light engine for high efficacy and long life. Calculated L₇₀ > 100,000 hrs. LED Lumen Maintenance Estimates based on TM-21 projections for the light source at 25°C ambient. Power Factor > 0.90. THD < 20%. Standard 120-277 Vac 0-10V dimmable (10%-100%) with optional 347-480 Vac step down transformer. Optional emergency battery backups and generator transfer device available to meet critical life safety lighting requirements.

OPTICS

Standard without lens. Optional frosted acrylic (FRL) and frosted polycarbonate (PFL) lenses available for added LED protection and glare reduction. Both optics are IP5X rated; protected against dust intrusion. Frosted Polycarbonate lens (PFL) is IK10 impact rated; highest impact rating available. Wide (std.) & Narrow (ND) Distribution options available for all lumen packages. >80 CRI Standard.

THERMAL

Standard ambient temperature range -40°F up to 131°F (-40°C to 55°C). Optional high ambient temperature range -40°F up to 149°F (-40°C to 65°C). Fixture to be mounted at a minimum plenum height of 18" to maintain maximum ambient temperature. Reduced maximum ambient for surface mounting, emergency battery backup, and step down transformers; see ambient temperature table on page 6 for more details

CONTROLS

Factory installed Advanced and Basic integral occupancy sensor options available. All Basic sensors are end mounted. Advanced EasySense sensor is end mounted. All other Advanced sensors are center driver cover mounted. Inquire with manufacturer for additional controls options, including customer supplied items.

CERTIFICATIONS

ETL listed to US and Canadian safety standards. Suitable for damp locations. American Recovery and Reinvestment Act Funding Compliant. Please refer to the DLC (DesignLights Consortium) Qualified Products List at www.designlights.org/QPL to confirm specific product qualifications.

WARRANTY

5 Year Warranty Standard; 10 Year Warranty Optional ([Terms and Conditions apply](#)).



ORDERING GUIDE

*Footnotes on bottom of page 3

PART #

Example: EDV2-24L-U-50-FRL-ND-UP/2L-BLK-EM25-FIOS-SP1-C6/4W-10YR

SERIES	LUMENS	DRIVER	CCT	LENS	DISTRIBUTION	UPLIGHT	FINISH
EDV2 2' Endeavour	8L 8,000 lm 12L 12,000 lm 15L 15,000 lm 18L 18,000 lm 24L 24,000 lm 30L 30,000 lm 36L 36,000 lm	U 120-277V	50 5000K 40 4000K 35 3500K 30 3000K	BLANK None FRL Frosted Acrylic PFL ²⁰ Frosted Polycarbonate	BLANK Wide ND Narrow	BLANK None UP/2L ¹⁹ 2000 lm Uplight UP/3L ¹⁹ 3000 lm Uplight UP/4L ¹⁹ 4000 lm Uplight	BLANK White BLK ^{1,19} Black RALxxxx ^{2,19} Custom
EDV4 4' Endeavour	12L 12,000 lm 15L 15,000 lm 18L 18,000 lm 24L 24,000 lm 30L 30,000 lm 36L 36,000 lm 48L 48,000 lm 60L 60,000 lm 75L 75,000 lm 100L 100,000 lm						

AMBIENT TEMP ⁴	EMERGENCY	CONTROLS OPTIONS	
		BASIC	ADVANCED
BLANK Standard HT ^{3,4,15} High Ambient	BLANK None GTD Generator Transfer Device DTS UL924 Dimming Transfer Switch EM5 ^{13,19} 5W Battery Backup EM5/HE ^{13,19} 5W Battery Backup - CEC Title 20 Compliant EM7 ^{13,19} 7W Battery Backup EM7/HE ^{13,19} 7W Battery Backup - CEC Title 20 Compliant EM10 ^{13,19} 10W Battery Backup EM10/HE ^{13,19} 10W Battery Backup - CEC Title 20 Compliant EM10/HE/SD ^{13,19} 10W Self Diagnostic Battery Backup - CEC Title 20 Compliant EM12 ^{19,13} 12W Battery Backup EM20 ^{6,7,13,19} 20W Battery Backup - CEC Title 20 Compliant EM25 ^{6,7,13,19} 25W Battery Backup EM25/HE ^{6,7,13,19} 25W Battery Backup - CEC Title 20 Compliant EM25/HE/SD ^{6,7,13,19} 25W Battery Backup - CEC Title 20 Compliant - Self Diagnostic	BLANK None FIOS ^{8,9} On/Off Occupancy Sensor CLOS ⁸ Cold Storage On/Off Occupancy Sensor FIOSPC ^{8,9} On/Off Occupancy Sensor w/ Photocell FIOSPC/DLH ^{8,9} On/Off Occupancy Sensor w/ Daylight Harvesting DHPC ^{8,9} Daylight Harvesting USBD ^{8,9} User Selectable Bi-Level Dim Sensor w/ Occupancy BDxx ^{8,9} Preset Bi-Level Dim Sensor (xx = eg. 20%,30%) BDxxPC ^{8,9} Preset Bi-Level Dim Sensor w/ Photocell	BLANK None NURO ^{9,10,11} NUROAir Plug n Play Bluetooth Groupable Sensor ESMC/HB ^{8,11,12,18} EasySense High Bay Sensor FSP311/Lx ¹⁰ Legrand FSP-311 Sensor Lx = Mounting Height -L3 = 20'MH - L7 = 40'MH SYN ¹⁴ Synapse Control System SYNS/Lx ^{10,14} Synapse Control System w/ Sensor (x=Mounting height, 3=20', 7=40') Lutron Athena Option AWNR ^{10,14} Consult Factory Customer CS/xxxx ⁵ Supplied Controls

STEP DOWN	MOUNTING	WIRING	WARRANTY
BLANK None SD347 ^{17,19} 347V Step Down Transformer SD480 ¹⁹ 480V Step Down Transformer	BLANK None FMB/HK ¹⁶ Fixture Mounting Box with Hook for Chain Mounting FMB/HUB34 ¹⁶ Fixture Mounting Box with 3/4" HUB for Pendant Mounting	BLANK None Cx/yW Cord (x=Length; 6,10,15,20) (y=# of conductors; 3,4,5,6) QDx/xW Quick Connect (x=Length; 6,10,15,20) (y=# of conductors; 3,4,5,6) RRLA ²² RELOC Ready Luminaire - Hot conductor wired to position #1 (phase A); Non-dimming RRLB ²² RELOC Ready Luminaire - Hot conductor wired to position #2 (phase B); Non-dimming RRLAE ^{22,23} RELOC Ready Luminaire - Hot conductor wired to position #1 (phase A), hot conductor #2 wired to position #2 (phase B); Non-dimming 2EA10/LW ¹⁴ ATKORE ACS FLEX3+ 10' Fixture Drop - 277/480V - 3-Wire Phase A #16AWG for use on 20A Branch Circuits 2EB10/LW ¹⁴ ATKORE ACS FLEX3+ 10' Fixture Drop - 277/480V - 4-Wire Phase A #16AWG for use on 20A Branch Circuits 2ED10/LW ¹⁴ ATKORE ACS FLEX3+ 10' Fixture Drop - 277/480V - 3-Wire Phase B #16AWG for use on 20A Branch Circuits	BLANK 5 Year 10YR ⁵ 10 Year

CONTINUE TO NEXT PAGE



ORDERING GUIDE (Continued)

SHIP WITH ACCESSORIES	
BLANK	None
NURO-SW-3B-BA-BL-WP-V1	NUROAir Bluetooth 3-Key Wireless Battery Powered Wall Switch
NURO-SW-5B-BA-BL-WP-V1	NUROAir Bluetooth 5-Key Wireless Battery Powered Wall Switch
NURO-SW-7B-AC-BL-WP-V1	NUROAir Bluetooth 7-Key Line Voltage (AC 120-277V) Powered Wall Switch
SMZB KIT EDV ¹⁹	Surface Mount Bracket (2), leaves 2" gap b/w fixture and surface
ACxY	Adjustable Y-Toggle aircraft cable set (x = length ; 5' or 10')
ESMC/WWS/DR	EasySense Dual Rocker Wireless Wall Switch
+EDV xFT WC SMALL	Wire Cage - Small (x = length; 2' or 4')
+EDV xFT WC LARGE	Wire Cage - Large (x = length; 2' or 4')

FOOTNOTES

- | | | |
|--|---|---|
| ¹ Reduces published performance by 16% | ¹⁰ Sensor Mounted on center drive channel | ¹⁷ Not compatible with Hook or Hub when ordered with 100L |
| ² Consult Factory for Pricing & Availability | ¹¹ Requires bluetooth enabled device for programming (provided by others) | ¹⁸ Consult factory for 100L configuration |
| ³ Reference High Temperature Ratings by lumen package on page 4 | ¹² Operation down to -30°F | ¹⁹ Reduces Max Ambient; Consult factory |
| ⁴ Not available with EM, SD, UP, BLK, or RALxxxx Options | ¹³ Operation down to 32°F | ²⁰ Only available with EDV2-8L to 24L and EDV4-12L to 30L |
| ⁵ Consult Factory for more details | ¹⁴ Requires Site Layout, Consult Factory | ²¹ Reduces Max Ambient; Consult factory |
| ⁶ Cannot be used w/ FMB or SMZB options | ¹⁵ High Temp (HT) sensor options limited to FIOS or FSP311/Lx Sensor selections | ²² Consult Factory quote for RELOC OCU, OCS, OD System Drops; System Drops Sold & Shipped Separately; Retrofit Applications Only |
| ⁷ Mounted externally to fixture | ¹⁶ May require aircraft cables to achieve balance for specific configurations. Consult factory | ²³ Disconnect the TSPL before unplugging the RRL so it does not go into discharge mode. Requires fixture to have battery option. |
| ⁸ Sensor Mounted off end cap of fixture | ¹⁷ Not compatible with Hook or Hub when ordered with 100L | ²⁴ Only available with EDV2-8L to 24L and EDV4-12L to 30L |
| ⁹ Operation down to 14°F | ¹⁸ Consult factory for 100L configuration | |



SYSTEMS INFO ^{1,3,4}	3000K CCT		3500K CCT		4000K CCT		5000K CCT		Watts ²
	Part #	Lumens	LPW	Lumens	LPW	Lumens	LPW	Lumens	
EDV2-8L-U-xx	8142	154	8276	156	8410	159	8679	164	53
EDV2-8L-U-xx-ND	7981	151	8113	153	8245	156	8508	161	53
EDV2-8L-U-xx-FRL	7701	146	7828	148	7955	150	8210	155	53
EDV2-8L-U-xx-FRL-ND	7247	137	7367	139	7486	141	7723	146	53
EDV2-8L-U-xx-PFL	7343	139	7464	141	7586	144	7828	148	53
EDV2-8L-U-xx-PFL-ND	6791	128	6903	130	7011	133	7240	137	53
EDV2-12L-U-xx	11830	141	12025	144	12220	146	12611	151	84
EDV2-12L-U-xx-ND	11597	139	11789	141	11980	143	12363	148	84
EDV2-12L-U-xx-FRL	11190	134	11375	136	11560	138	11929	143	84
EDV2-12L-U-xx-FRL-ND	10970	131	11151	133	11332	135	11694	140	84
EDV2-12L-U-xx-PFL	11396	137	11584	139	11772	141	12148	146	83
EDV2-12L-U-xx-PFL-ND	11172	134	11356	136	11540	138	11909	143	83
EDV2-15L-U-xx	15272	147	15524	149	15776	152	16280	156	104
EDV2-15L-U-xx-ND	14971	144	15218	146	15465	149	15960	153	104
EDV2-15L-U-xx-FRL	14446	139	14684	141	14923	143	15400	148	104
EDV2-15L-U-xx-FRL-ND	14162	136	14395	138	14629	141	15097	145	104
EDV2-15L-U-xx-PFL	13490	131	13713	133	13935	135	14381	140	103
EDV2-15L-U-xx-PFL-ND	13225	128	13443	131	13661	133	14098	137	103
EDV2-18L-U-xx	19587	147	19910	150	20233	152	20880	157	133
EDV2-18L-U-xx-ND	19201	144	19518	147	19835	149	20460	154	133
EDV2-18L-U-xx-FRL	18392	138	18696	140	19000	143	19607	147	133
EDV2-18L-U-xx-FRL-ND	18030	135	18328	138	18626	140	19221	144	133
EDV2-18L-U-xx-PFL	17679	133	17971	135	18263	137	18847	142	133
EDV2-18L-U-xx-PFL-ND	17331	130	17618	132	17904	135	18476	139	133
EDV2-24L-U-xx	23696	146	24087	148	24478	150	25260	155	163
EDV2-24L-U-xx-ND	23444	143	23830	145	24217	147	24980	152	164
EDV2-24L-U-xx-FRL	22373	138	22742	140	23111	142	23850	147	162
EDV2-24L-U-xx-FRL-ND	20798	125	21141	127	21485	129	22170	133	167
EDV2-24L-U-xx-PFL	20807	128	21150	130	21494	132	22180	137	162
EDV2-24L-U-xx-PFL-ND	19629	118	19953	120	20277	122	20920	126	167
EDV2-30L-U-xx	30708	144	31215	146	31722	149	32730	153	213
EDV2-30L-U-xx-ND	29495	138	29982	140	30468	143	31430	147	214
EDV2-30L-U-xx-FRL	29048	136	29527	138	30007	141	30965	145	213
EDV2-30L-U-xx-FRL-ND	28476	133	28946	136	29416	138	30356	142	213
EDV2-36L-U-xx	34298	138	34864	141	35430	143	36562	147	248
EDV2-36L-U-xx-ND	33623	136	34178	138	34733	140	35843	144	248
EDV2-36L-U-xx-FRL	32443	131	32979	133	33514	135	34570	139	248
EDV2-36L-U-xx-FRL-ND	30464	123	30967	125	31469	127	32490	131	248

*Please refer to the DLC Qualified Products List at www.Designlights.org/QPL to confirm specific product qualifications.

¹LED Chips are frequently updated therefore values are nominal

³BLK fixture finish reduces stated performance by 16%.

²Electrical data at 25°C (77°F) 277V. Actual wattage may differ by +/-10%.

⁴Preliminary test data



SYSTEMS INFO 1,3,4		3000K CCT		3500K CCT		4000K CCT		5000K CCT		Watts ²
Part #		Lumens	LPW	Lumens	LPW	Lumens	LPW	Lumens	LPW	
EDV4-12L-U-xx		12537	150	12744	152	12951	155	13365	160	84
EDV4-12L-U-xx-ND		12290	147	12493	149	12696	152	13102	157	84
EDV4-12L-U-xx-FRL		11859	142	12055	144	12251	146	12642	151	84
EDV4-12L-U-xx-FRL-ND		11626	139	11818	141	12010	143	12393	148	84
EDV4-12L-U-xx-PFL		11316	136	11503	138	11690	140	12063	145	83
EDV4-12L-U-xx-PFL-ND		11094	133	11277	135	11460	137	11826	142	83
EDV4-15L-U-xx		15921	153	16184	155	16446	158	16972	163	104
EDV4-15L-U-xx-ND		15608	150	15865	152	16123	155	16638	160	104
EDV4-15L-U-xx-FRL		15060	145	15308	147	15557	149	16054	154	104
EDV4-15L-U-xx-FRL-ND		14764	142	15007	144	15251	147	15738	151	104
EDV4-15L-U-xx-PFL		14371	140	14608	142	14845	144	15319	149	103
EDV4-15L-U-xx-PFL-ND		14088	137	14320	139	14553	141	15018	146	103
EDV4-18L-U-xx		20079	151	20410	153	20742	156	21404	161	133
EDV4-18L-U-xx-ND		19684	148	20009	150	20333	153	20983	158	133
EDV4-18L-U-xx-FRL		18993	143	19306	145	19620	147	20247	152	133
EDV4-18L-U-xx-FRL-ND		18619	140	18927	142	19234	145	19848	149	133
EDV4-18L-U-xx-PFL		18124	136	18423	138	18722	141	19320	145	133
EDV4-18L-U-xx-PFL-ND		17767	133	18060	136	18354	138	18940	142	133
EDV4-24L-U-xx		23871	150	24265	153	24659	155	25447	160	159
EDV4-24L-U-xx-ND		23401	147	23787	150	24173	152	24946	157	159
EDV4-24L-U-xx-FRL		22580	142	22953	145	23325	147	24071	152	159
EDV4-24L-U-xx-FRL-ND		22136	139	22501	142	22866	144	23597	149	159
EDV4-24L-U-xx-PFL		21244	134	21595	136	21946	138	22647	143	159
EDV4-24L-U-xx-PFL-ND		20826	131	21170	133	21514	136	22201	140	159
EDV4-30L-U-xx		30684	144	31190	147	31697	149	32700	154	212
EDV4-30L-U-xx-ND		30080	142	30577	144	31073	146	32066	151	212
EDV4-30L-U-xx-FRL		29802	137	30294	139	30786	141	31769	146	218
EDV4-30L-U-xx-FRL-ND		27478	130	27931	132	28385	134	29300	138	212
EDV4-30L-U-xx-PFL		26875	127	27318	129	27762	131	28650	135	212
EDV4-30L-U-xx-PFL-ND		25777	122	26202	124	26628	126	27480	130	212
EDV4-36L-U-xx		36334	147	36933	149	37533	152	38732	156	248
EDV4-36L-U-xx-ND		35619	144	36207	146	36795	149	37970	153	248
EDV4-36L-U-xx-FRL		34369	139	34936	141	35504	143	36638	148	248
EDV4-36L-U-xx-FRL-ND		33693	136	34249	138	34805	141	35917	145	248
EDV4-48L-U-xx		47834	146	48623	148	49413	151	50990	156	328
EDV4-48L-U-xx-ND		46893	143	47667	146	48440	148	49988	153	328
EDV4-48L-U-xx-FRL		44148	135	44877	137	45606	140	47050	144	327
EDV4-48L-U-xx-FRL-ND		43280	133	43994	135	44708	137	46137	141	327
EDV4-60L-U-xx		61368	144	62381	147	63394	149	65419	154	425
EDV4-60L-U-xx-ND		60160	142	61153	144	62146	146	64132	151	425
EDV4-60L-U-xx-FRL		58049	137	59007	139	59965	141	61882	146	425
EDV4-60L-U-xx-FRL-ND		56907	134	57846	136	58786	138	60664	143	425
EDV4-75L-U-xx		70067	145	71223	148	72380	150	74693	155	482
EDV4-75L-U-xx-ND		68688	143	69822	145	70956	147	73223	152	482
EDV4-75L-U-xx-FRL		66278	138	67372	140	68466	142	70654	147	482
EDV4-75L-U-xx-FRL-ND		64974	135	66046	137	67119	139	69250	144	482
EDV4-100L-U-xx		93665	146	95211	148	96756	150	99848	155	644
EDV4-100L-U-xx-ND		91822	143	93337	145	94853	147	97883	152	644
EDV4-100L-U-xx-FRL		88600	138	90062	140	91524	142	94449	147	644
EDV4-100L-U-xx-FRL-ND		86856	135	88290	137	89723	139	92590	144	644

*Please refer to the DLC Qualified Products List at www.Designlights.org/QPL to confirm specific product qualifications.

¹LED Chips are frequently updated therefore values are nominal

³BLK fixture finish reduces stated performance by 16%.

²Electrical data at 25°C (77°F) 277V. Actual wattage may differ by +/-10%.

⁴Preliminary test data



AMBIENT TEMPERATURE RANGE

PART NUMBERS	Suspended (18 in)	
	Ambient Temp.Range	High Temp
EDV2-8L	-40°F to 131°F	149°F
EDV2-12L	-40°F to 131°F	149°F
EDV2-15L	-40°F to 131°F	149°F
EDV2-18L	-40°F to 131°F	149°F
EDV2-24L	-40°F to 131°F	N/A
EDV2-30L	-40°F to 122°F	N/A
EDV2-36L	-40°F to 122°F	N/A
EDV4-12L	-40°F to 131°F	N/A
EDV4-15L	-40°F to 131°F	N/A
EDV4-18L	-40°F to 131°F	N/A
EDV4-24L	-40°F to 131°F	149°F
EDV4-30L	-40°F to 131°F	149°F
EDV4-36L	-40°F to 131°F	149°F
EDV4-48L	-40°F to 131°F	149°F
EDV4-60L	-40°F to 122°F	149°F
EDV4-75L	-40°F to 122°F	131°F
EDV4-100L	-40°F to 122°F	131°F

CONTROLS OPTIONS

BASIC

FIOS

Standard on/off motion sensor. Comes with 360 degree high bay lens, 360 degree low bay lens & aisle lens. 360 degree high bay lens factory installed, unless notified otherwise. Sensor mounted off end cap of fixture. Inquire for mounting on center of driver cover.

FIOSPC

Motion sensor with the addition of photocell control. When installed, fixture will not activate unless 1. motion is detected and 2. light levels are below the preset level. When activated, fixture will turn on to 100% light output & will only shut off when one of the two levels mentioned above are met. If no motion is detected & light levels fall below preset level the fixture remains off. Sensor mounted off end cap of fixture.

FIOSPC/DLH

Factory installed motion sensor with the addition of photocell control that will allow for daylight harvesting. When installed, fixture will not activate unless 1. motion is detected & 2. light levels are below the preset level. When activated, fixture will turn on only enough to meet the preset light levels and will adjust as the amount of light in the space adjusts between 100%-10%. If light levels are adequate the fixture will remain off. Sensor mounted off end cap of fixture.

CLOS

Standard on/off motion sensor. Comes with 360 degree high bay lens, 360 degree low bay lens & aisle lens. 360 degree high bay lens factory installed, unless notified otherwise. Sensor mounted off end cap of fixture. For cold storage down to -40°C (-40°F). Inquire for mounting on center of driver cover.

DHPC

Daylight Harvesting off photocell. Fixtures will continually dim up/down throughout the day based on light level readings taken from the photocell control. Sensor mounted off end cap of fixture.

USBD

User Selectable Bi-Level Dimming. Allows the end user to manually select the unoccupied dimming level. Once motion is detected, the fixture will return to 100% light output. Sensor mounted off end cap of fixture.

BDxx

Factory set Bi-Level Dimming. Sensor is set to dim level, as indicated in the "xx" portion of the part number, when the area is unoccupied. Example: BD20 sets the fixture to dim down to 20% lumen output when the area is unoccupied. Once motion is detected, the fixture will return to 100% light output. Sensor mounted off end cap of fixture.

BDxxPC

Factory set Bi-Level Dimming with motion and photocell. Sensor is set to dim level, as indicated in the "xx" portion of the part number, when the area is unoccupied and will not return to 100% light output unless 1. motion is detected and 2. the light level is below the preset level. Example: BD20PC sets the fixture to dim down to 20% lumen output when the area is unoccupied and will not return to 100% light output unless the above conditions are met for both motion and light level readings. Sensor mounted off end cap of fixture.



CONTROLS OPTIONS

ADVANCED

NUROAir by ILLUMUS

NURO

NUROAir Plug n Play Bluetooth Sensor is the optimal groupable controls lighting solution. With main features such as Plug and Play, PIR Motion Sensing, Occupancy/Vacancy and Daylight Harvesting (WHT) - this flexibility makes the NUROAir Plug n Play Sensor ideal for tailoring lighting to specific space needs, optimizing both ambiance and efficiency. The NUROAir App, available for download on iOS and Google Play Store, offers a user-friendly interface for automatic or manual customization of your space. Through the app, users can configure sensor settings such as the Light Output, CCT, Hold Time, Standby Time/Level, High/Low End Trim, Background Light Level, Set Schedules, and Control Lighting Groups or Zones, all from a mobile or tablet device. Manual control is also available with a range of compatible wireless & wired wall switch options.



[Click Here or Scan Code to Learn More About](#)

[NUROAir Bluetooth Controls](#)

Philips ESMC/HB

EasySense sensor combines occupancy sensing, daylight harvesting and institutional tuning in one compact solution. This is an ideal control for any high bay application. Each device allows you to turn on/off occupancy and/or daylight harvesting functions as well as set the full light output, background light level, occupancy prolong time, occupancy grace fading time & occupancy time out/hold time. Easily Controlled via Mobile Phone with Philips MasterConnect Bluetooth App. (Sold separately). Sensor mounted off end cap of fixture.

Synapse (SYN or SYNS/Lx)

Utilizing a robust 2.4 GHz Self-Healing Mesh Network, Synapse provides flexibility and scalability making it a perfect solution for both new construction and retrofit projects. The easy-to-use web application is accessible on any device with an internet connection and allows for complete customization of the system and its features. Integral radio (SYN) with optional Wattstopper sensor (SYNS/Lx). Sensors available in 20' or 40' mounting lenses. Consult factory for coverage patterns. Sensor mounted on hinged driver cover. Antenna exits luminaire for maximum connectivity.

Legrand FSP-311

FSP-311 offers fully adjustable high and low dimmed light levels with optional photocell. Hold off setpoint with automatic calibration option. Adjustable time delay and cut off delay. Sensor adjustable programming via iOS® or Android® 'Sensor Configuration' App. Sensor mounted on center driver channel.

Lutron AWNR

Athena wireless node is a radio frequency (RF) device that enables simple, digital control of individual light fixtures in an Athena control system. Enables individual wireless control of each fixture in an Athena control system. Accommodates zone and control changes without rewiring. All drivers on the link are controlled as a single zone. Provided with factory installed components only. Lutron Athena system provided by others.



OPTIONS



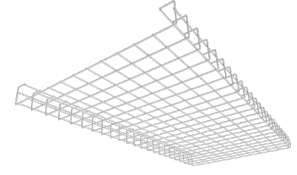
Cx/yW

Cords - (x = 6, 10, 15, 20 (ft)) (y = conductors; 3, 4, 5, 6) Plug options available



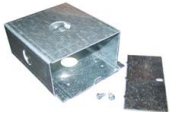
QDx/yW

Quick Disconnect - (x = 6, 10, 15, 20 (ft)) (y = conductors; 3, 4, 5, 6)



WC

11 GA Wire Cage



FMB

Includes rigid box to attach to the fixture, provides for single point mounting to accept a hook or conduit hub



ACxY

Includes 2 adjustable cable hangers. Available in 5' or 10'

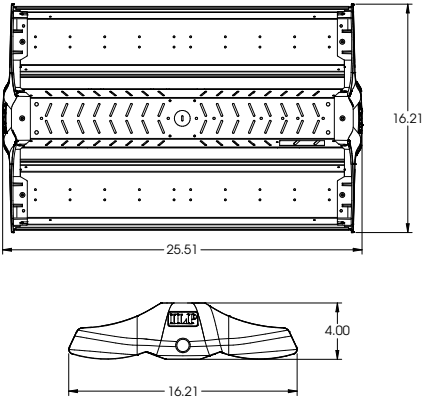


SMZB KIT EDV

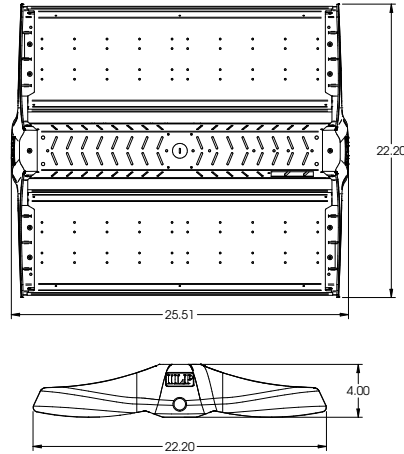
Surface Mount Bracket Kit provides a 2" space above the fixture

LINE DRAWINGS

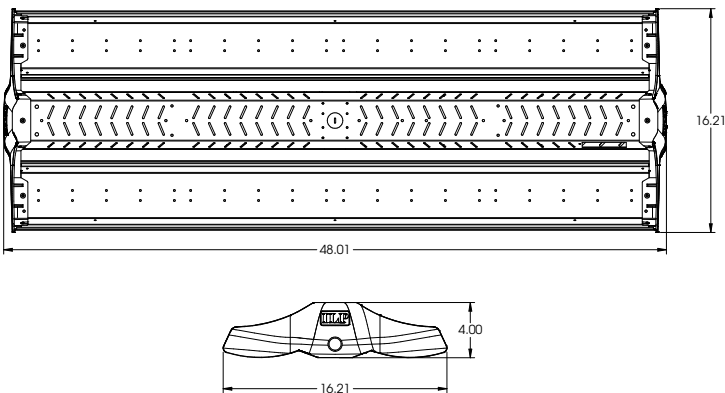
2 FT SMALL 8L - 24L



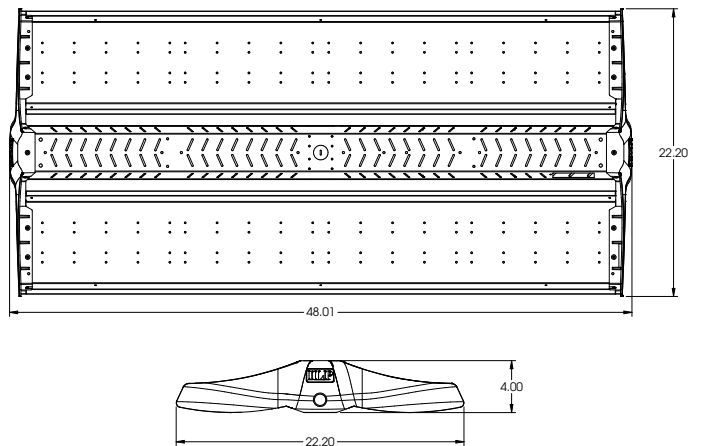
2 FT LARGE 30L - 36L



4 FT SMALL 12L - 30L



4 FT LARGE 36L - 100L

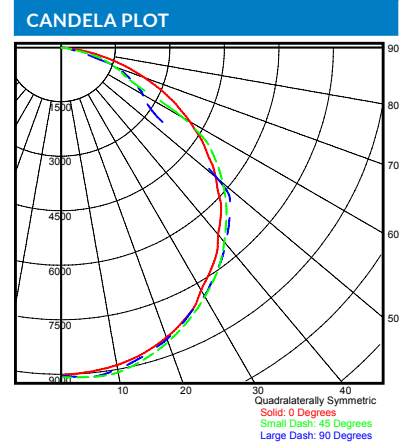




PHOTOMETRIC DATA

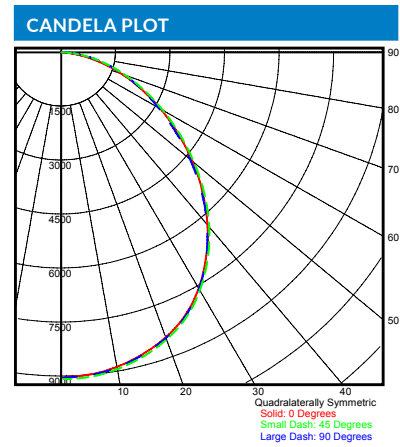
LUMINAIRE DATA	
Part Number	EDV2-24L-U-50
Description	Endeavor 2ft High Bay, 24000lm, without lens
Fixture Lumens (lm)	25,255 lm
Wattage (W)	163 W
Efficacy (lm/W)	155 lm/W
Mounting	Pendant
Spacing Criteria	0° = 1.28, 90° = 1.29

ZONAL LUMEN SUMMARY		
Zone	Lumens (lm)	% Fixture
0° - 40°	12,031	48%
0° - 60°	21,187	84%
0° - 90°	25,255	100%
90° - 180°	0	0%
0° - 180°	25,255	100%



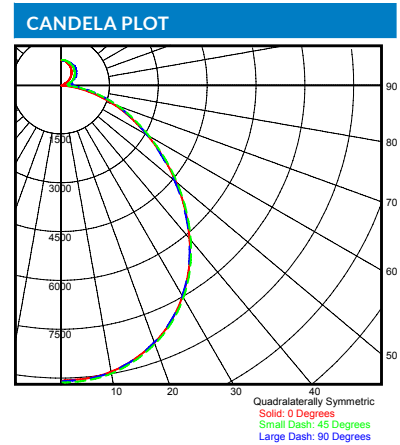
LUMINAIRE DATA	
Part Number	EDV2-24L-U-50-FRL
Description	Endeavor 2ft High Bay, 24000lm, with frosted acrylic lens
Fixture Lumens (lm)	23,849 lm
Wattage (W)	162 W
Efficacy (lm/W)	147 lm/W
Mounting	Pendant
Spacing Criteria	0° = 1.24, 90° = 1.24

ZONAL LUMEN SUMMARY		
Zone	Lumens (lm)	% Fixture
0° - 40°	11,424	48%
0° - 60°	19,177	80%
0° - 90°	23,309	98%
90° - 180°	540	2%
0° - 180°	23,849	100%



LUMINAIRE DATA	
Part Number	EDV2-24L-U-50-FRL-UP/2L
Description	Endeavor 2ft High Bay, 24000lm, with frosted acrylic lens & 2000lm uplight
Fixture Lumens (lm)	25849 lm
Wattage (W)	179 W
Efficacy (lm/W)	144 lm/W
Mounting	Pendant
Spacing Criteria	0° = 1.24, 90° = 1.24

ZONAL LUMEN SUMMARY		
Zone	Lumens (lm)	% Fixture
0° - 40°	11,424	44%
0° - 60°	19,177	74%
0° - 90°	23,309	90%
90° - 180°	2,540	10%
0° - 180°	25,849	100%



LUMINAIRE DATA	
Part Number	EDV2-24L-U-50-FRL-ND
Description	Endeavor 2ft High Bay, 24000lm, with narrow distribution through a frosted acrylic lens
Fixture Lumens (lm)	22,166 lm
Wattage (W)	167 W
Efficacy (lm/W)	133 lm/W
Mounting	Pendant
Spacing Criteria	0° = 1.16, 90° = 0.80

ZONAL LUMEN SUMMARY		
Zone	Lumens (lm)	% Fixture
0° - 40°	13,640	62%
0° - 60°	19,488	88%
0° - 90°	21,987	99%
90° - 180°	179	1%
0° - 180°	22,166	100%

