



envi
COLLECTION

DESIGNER PANEL FIXTURE

PRODUCT
OVERVIEW



SCAN OR
CLICK HERE

FEATURES

- Back-lit panel with a high-transmission low glare PMMA frosted lens for uniform and visually comfortable lighting.
- Robust die-formed housing with a white post-paint finish, Type IC rating for insulation contact.
- Available in 1x4, 2x2 and 2x4 sizes, with support for grid, flange, surface, suspended, skylight, and skylight tilt mounting options, designed to fit both 15/16" and 9/16" T-grid ceiling systems.
- Field-selectable or factory-set lumen output (2,500–7,700 lumens) and CCT (2700K, 3000K, 3500K, 4000K and 5000K) for adaptable lighting solutions.
- Features >80 CRI and LEDs binned to <3 SDCM for exceptional color uniformity and consistency.
- Offers high efficacy of up to 154 lm/W with 0–10V dimming (100%–10%), featuring reliable performance with calculated L70 > 100,000 hours for long-lasting efficiency.
- Various Lens options available adding Personality & Dimension to Any Space Various Lens options available adding Personality & Dimension to Any Space
- Acoustic Drop Panels available to absorb Sound and Deliver More Comfortable Interior Spaces.

DIGITAL NAVIGATION

Explore the spec sheet through the links below

[ORDERING GUIDE](#)

[LED SYSTEMS TABLE](#)

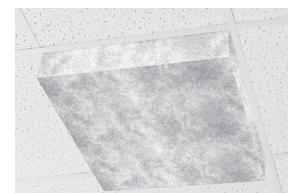
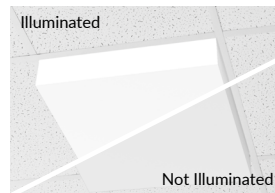
[CONTROLS](#)

[LINE DRAWINGS](#)

[LENS OPTIONS](#)

[DROP LENS, SKYLIGHT MOUNT, ACOUSTIC OPTIONS](#)

[PHOTOMETRIC DATA](#)



SUITABLE APPLICATIONS

- Education
- Healthcare
- Commercial Office
- Retail
- Grocery Store
- Residential
- Food Prep
- Storage Facility
- Commercial Kitchen

CERTIFICATIONS



SPECIFICATIONS

CONSTRUCTION

Robust Die-Formed Housing and lens frame with Post-Paint Finish for rigidity and durability. Formed, welded and tightly constructed corners seal to housing to deter entrance of outside particles. Designed to achieve maximum performance and improved aesthetics.

ELECTRICAL

Class 2 LED light engine for high efficacy and long life. Calculated L70 > 100,000hrs. Power Factor > 0.90. Standard 120-277 Vac 0-10V dimmable (10% - 100%). Optional 347V step down transformer. Optional Bi-level dimming driver (50%). Lumen Selectable fixtures allow for ease of field lumen adjustment with switch located on top side of driver. Lumen Selectable fixtures ship at the highest lumen output. CCT Selectable fixtures ship at 4000K.

INSTALLATION

Designed for a variety of mounting solutions including recessed grid, flange and surface mount. Can be installed into standard 15/16" & 9/16" T-grid ceiling. 9/16" installations will reveal portions of post painted fixture frame. Standard integral T-grid clips affixed to housing for secure fixture to grid ceiling. Access plate installed on top of driver housing for ease of hardwire power connections. Optional factory installed power flex conduit whip (MC) available to reduce installation time. Mounting clips provided for easy installation of the desired lens. Lens options install to the outside of the light fixture and fastened with brackets. Please review installation instructions for more information.

OPTICS

High transmission extruded PMMA frosted acrylic lens with excellent shielding for durability and LED glare reduction. Individual micro optics present over each LED chip to provide smooth uniform illumination. Select from various lens options adds Personality & Dimension to any space.

CONTROLS

Factory installed bi-level dimming microwave sensor to provide maximize energy savings when area is unoccupied. Sensor requires use of programming tool to set low end trim fixture output. Sensor installed behind lens. Advanced Control options also available and would be remotely mounted in the neighboring ceiling tile.

CERTIFICATIONS

ETL Listed to US and Canadian safety standards. Suitable for damp locations. Type IC Rated for Insulation Contact. Title 24 Compliant with sensor option; see local ordinance for qualification information.

WARRANTY

5 Year Warranty Standard, 10 Year Warranty Optional ([Terms and Conditions apply](#)).



ORDERING GUIDE

*Footnotes on bottom of page 3

PART # Example: VPAN24-28L/57L-U-CCTS-PVL-G2

SERIES	LUMENS	DRIVER	CCT	GENERATION
VPAN14 1x4 Backlit Flat Panel	25L/49L - 25L/28L/35L/42L/49L Selectable 25L 2,500 lm 28L 2,800 lm 35L 3,500 lm 42L 4,200 lm 49L 4,900 lm	U 120-277V	CCTS 27K/30K/35/40/50 - Selectable 27 2700K 30^s 3000K 35 3500K 40^s 4000K 50 5000K	G2 Gen 2
VPAN22 2x2 Backlit Flat Panel	25L/49L - 25L/28L/35L/42L/49L Selectable 25L 2,500 lm 28L 2,800 lm 35L 3,500 lm 42L 4,200 lm 49L 4,900 lm			
VPAN24 2x4 Backlit Flat Panel	28L/57L - 28L/35L/42L/49L/57L - Selectable 49L/77L - 49L/56L/63L/70L/77L - Selectable 28L 2,800 lm 35L 3,500 lm 42L 4,200 lm 49L¹⁹ 5,000 lm 56L 5,600 lm 57L 5,700 lm 63L 6,300 lm 70L 7,000 lm 77L 7,700 lm			

envi LENSES ^{21,25}	
ISL	Internal Slot Lens
FCL	Center Frame Lens
RFL	Reeds Frame Lens
HAL	Hexad Lens
CPL	Cubed Panoramic Lens
CSL	Center Square Lens
PVL	Peak View Lens
WWL	Whispering Woods Lens
ASL	Alpine Serenity Lens
LAL	Leafy Aura Lens
SKL	Cloudy Sky Lens
XXL²²	Custom Lens
ADL/x^{18,23}	Acrylic Drop Lens (x=2, 4, or 6 for Drop Inch Depth)

ALT DRIVER	
BLANK	Standard Driver
SR^{1,19,17}	Sensor-Ready Driver
DR^{1,19,17}	DALI Driver
BLD^{1,2,3,17,19}	Bi-Level Dimming Driver
DIM1^{1,17,19}	1% Dimming Driver

EMERGENCY ²	
BLANK	None
EM8^{4,5}	8W LED Battery Backup
EM10^{4,5}	10W LED Battery Backup
EM10/HE^{4,5}	10W LED Battery Backup
EM10/HE/SD^{4,5}	10W LED Self-Diagnosing Battery Backup
GTD^{15,19}	Generator Transfer Device
DTS⁵	Dimming Transfer Switch

CONTROLS OPTIONS			
BASIC		ADVANCED	
BLANK	None	BLANK	None
MWS^{18,19,20}	User Selectable Bi-Level Dimming Microwave Sensor	ESMC/CM^{1,7,11,13,14,19}	EasySense Grouping Sensor
		VDO^{1,11,13,16,17}	Lutron Vive DFCSJ-OEM-Occ Daylight & Occupancy Control
		VRF^{1,11,12,17,19}	Lutron Vive DFCSJ-OEM- RF Radio Frequency Communication Only
		AWN^{1,11,12,17,19}	Lutron Athena Wireless Node RF Only
		AWNS^{1,11,13,17,19}	Lutron Athena Wireless Node with Sensor

STEP DOWN	
BLANK	None
SD347⁶	347V Step Down Transformer

METAL CONDUIT	
BLANK	None
MCx/3W¹⁸	Metal Conduit (x=ft), 3-wire
MCx/4W¹⁸	Metal Conduit (x=ft), 4-wire
MCx/5W^{3,18}	Metal Conduit (x=ft), 5-wire
MCx/6W³	Metal Conduit (x=ft), 6-wire (For EM only)

WARRANTY	
BLANK	5 Year
10YR	10 Year

CONTINUE TO NEXT PAGE



ORDERING GUIDE (Continued)

*Footnotes on bottom of page 3

ACCESSORIES	
MOUNTING OPTIONS ²⁴ (Select One)	
(BLANK)	Standard Grid Mounting
NURO7/RCM ^{6,13}	NUROAir Ceiling Mount Bluetooth Groupable Sensor
FLGKxx ²¹	Flange Mount Kit (xx=size, 22=2x2)
FLGKxx BLK ²¹	Flange Mount Kit - Black Finish (xx=size, 22=2x2)
+VPANxx SM ²¹	Surface Mount Kit (xx=size, 22=2x2)
+VPANxx SM BLK ²¹	Surface Mount Kit - Black Finish (xx=size, 22=2x2)
+SMSKxx ²¹	Surface Mount Skirt Kit (xx=size, 22=2x2)
+SMSKxx BLK ²¹	Surface Mount Skirt Kit - Black Finish (xx=size, 22=2x2)
+VPANxx SLM ^{19,21}	Skylight Mount Kit - White Finish (xx=size, 22=2x2)
+VPANxx SLMK BLK ²¹	Skylight Mount Kit - Black Finish (xx=size, 22=2x2)
+VPANxx SLMK xxx	Skylight Mount Kit (xx=size, 22 = 2x2; xxx = custom color)
+VPAN22 SLMK/T ^{8,19,21}	Skylight Mount Kit Tilt - White Finish
+VPAN22 SLMK/T BLK ^{8,21}	Skylight Mount Kit Tilt - Black Finish
+VPANxx SEK ^{9,19,21}	Suspended Enclosure Kit - 60" aircraft cable (xx=size, 22=2x2)
+VPANxx SEK BLK ^{9,21}	Suspended Enclosure Kit - Black Finish - 60" aircraft cable (xx=size, 22=2x2)
+VPAN G2 LJB	Large Junction Box
ACOUSTIC DROP PANEL ²⁴	
ADP/x/Axx ^{8,26}	Acoustic Drop Panel (x =2, 4, 6 for Drop Inch Depth; Axx = color)
SHIP WITH ACCESSORIES	
ACx/L ^{3,10,21}	Aircraft Cable Loop Set for Suspension Mounting (x=ft)
MW/RC ²⁷	Microwave sensor remote

FOOTNOTES

- | | | |
|------------------------------------------------------------------------------------|-----------------------------------------------------------------------------------------------|-------------------------------------------------------------------------------------|
| ¹ Not compatible with the Lumen selectable and CCT selectable functions | ¹¹ Must be used with SR driver | ²¹ Not NSF certified |
| ² Not compatible with SD347 | ¹² Sensor installed into knockout of driver box | ²² Contact factory for options |
| ³ Not compatible with sensor options | ¹³ Sensor to be mounted in adjacent ceiling tile | ²³ Only compatible with grid ceiling mounting method, SEK and SM options |
| ⁴ CEC Title 20 Compliant | ¹⁴ One sensor can be wired to up to (4) fixtures with SR sensor ready drive option | ²⁴ Shipped as field-installable accessories |
| ⁵ Min ambient of 32°F | ¹⁵ Must be used with +UHBS-RC option for commissioning | ²⁵ Review Lens options on page 6 |
| ⁶ Does not qualify for DLC | ¹⁶ Min ambient of -4°F | ²⁶ Color options available on page 7 |
| ⁷ Easily controlled via mobile phone with Bluetooth app | ¹⁷ Limited CCT options, only available in 27K, 35K, and 50K | ²⁷ One needed per project |
| ⁸ Only available on 2x2 size | ¹⁸ Not available with EM options | |
| ⁹ Aircraft cable set included | ¹⁹ Will utilize VPAN24-28L/57L fixture | |
| ¹⁰ Two sets required per fixture for suspension mounting | ²⁰ Must include remote for sensor | |



LED SYSTEMS INFO

LED SYSTEMS INFORMATION ¹		Lumen Package	Lens	2700K		3000K		3500K		4000K		5000K		Watts ²
Model Numbers				Lumens	Efficacy	Lumens	Efficacy	Lumens	Efficacy	Lumens	Efficacy	Lumens	Efficacy	
VPAN22-25L/49L-U-CCTS-G2	25L	ISL	2332.9	141.1	2460.8	148.1	2475.5	150.0	2541.1	152.7	2531.2	153.4	17	
		CPL	2197.3	132.9	2317.8	139.5	2331.7	141.3	2393.5	143.9	2384.2	144.4		
		HAL	2306.4	139.5	2432.9	146.5	2447.4	148.3	2512.3	151.0	2502.5	151.6		
		CSL	2229.3	134.8	2351.5	141.6	2365.6	143.4	2428.3	146.0	2418.9	146.5		
		FCL	2305.9	139.5	2432.4	146.4	2446.9	148.3	2511.8	151.0	2502.0	151.6		
		RFL	2333.2	141.1	2461.1	148.2	2475.8	150.1	2541.5	152.8	2531.6	153.4		
		PVL	2052.5	124.1	2165.1	130.3	2178.0	132.0	2235.8	134.4	2227.1	134.9		
	28L	ISL	2601.8	139.8	2744.1	147.2	2761.8	149.7	2833.8	152.2	2823.1	152.6	19	
		CPL	2450.7	131.7	2584.7	138.6	2601.4	141.0	2669.2	143.4	2659.0	143.7		
		HAL	2572.3	138.3	2713.0	145.5	2730.5	148.0	2801.6	150.5	2791.0	150.8		
		CSL	2486.3	133.6	2622.3	140.6	2639.2	143.0	2708.0	145.5	2697.7	145.8		
		FCL	2571.8	138.2	2712.4	145.5	2729.9	147.9	2801.1	150.5	2790.5	150.8		
		RFL	2602.2	139.9	2744.5	147.2	2762.2	149.7	2834.2	152.3	2823.5	152.6		
		PVL	2289.2	123.0	2414.4	129.5	2429.9	131.7	2493.3	133.9	2483.8	134.2		
	35L	ISL	3229.4	136.9	3406.9	145.5	3428.3	148.5	3518.0	150.5	3504.0	149.3	23	
		CPL	3041.8	128.9	3208.9	137.1	3229.1	139.9	3313.6	141.7	3300.4	140.6		
		HAL	3192.7	135.3	3368.2	143.9	3389.4	146.8	3478.1	148.8	3464.2	147.6		
		CSL	3086.0	130.8	3255.6	139.1	3276.1	141.9	3361.8	143.8	3348.4	142.7		
		FCL	3192.1	135.3	3367.5	143.8	3388.7	146.8	3477.4	148.8	3463.5	147.6		
		RFL	3229.8	136.9	3407.3	145.5	3428.8	148.5	3518.5	150.5	3504.5	149.3		
		PVL	2841.3	120.4	2997.5	128.0	3016.4	130.7	3095.3	132.4	3082.9	131.3		
	42L	ISL	3902.3	133.4	4116.2	143.0	4142.3	146.6	4251.2	148.2	4234.1	145.6	29	
		CPL	3675.5	125.7	3877.0	134.7	3901.6	138.1	4004.2	139.5	3988.1	137.1		
		HAL	3858.0	131.9	4069.5	141.4	4095.2	144.9	4202.9	146.5	4186.0	144.0		
		CSL	3729.0	127.5	3933.5	136.6	3958.3	140.1	4062.4	141.6	4046.1	139.1		
		FCL	3857.2	131.9	4068.7	141.3	4094.4	144.9	4202.1	146.4	4185.2	143.9		
		RFL	3902.8	133.4	4116.8	143.0	4142.8	146.6	4251.8	148.2	4234.7	145.6		
		PVL	3433.3	117.4	3621.6	125.8	3644.5	129.0	3740.3	130.3	3725.3	128.1		
49L	ISL	4485.5	129.9	4731.4	140.2	4761.4	144.3	4886.5	145.7	4866.9	141.2	34		
	CPL	4224.9	122.3	4456.5	132.0	4484.7	135.9	4602.6	137.3	4584.1	133.0			
	HAL	4434.6	128.4	4677.7	138.6	4707.3	142.6	4831.0	144.1	4811.7	139.6			
	CSL	4286.3	124.1	4521.3	134.0	4550.0	137.9	4669.5	139.2	4650.8	135.0			
	FCL	4433.7	128.4	4676.8	138.6	4706.4	142.6	4830.0	144.0	4810.7	139.6			
	RFL	4486.1	129.9	4732.1	140.2	4762.0	144.3	4887.1	145.7	4867.6	141.3			
	PVL	3946.5	114.3	4162.8	123.3	4189.2	126.9	4299.3	128.2	4282.1	124.3			
VPAN24-28L/57L-U-CCTS-G2	28L	ISL	2826.9	137.8	2946.7	147.1	2949.0	146.6	3056.2	151.3	3068.2	150.0	20	
		CPL	2690.7	131.2	2804.7	140.0	2806.9	139.5	2908.9	144.0	2920.3	142.8		
		HAL	2765.3	134.8	2882.5	143.9	2884.7	143.4	2989.6	148.0	3001.3	146.7		
		CSL	2677.0	130.5	2790.4	139.3	2792.6	138.8	2894.1	143.3	2905.5	142.1		
		FCL	2724.4	132.8	2839.9	141.7	2842.1	141.3	2945.3	145.8	2956.9	144.6		
		RFL	2788.7	135.9	2906.9	145.1	2909.2	144.6	3014.9	149.3	3026.7	148.0		
		PVL	2485.8	121.2	2591.2	129.3	2593.2	128.9	2687.4	133.1	2698.0	131.9		
	35L	ISL	3413.6	136.1	3558.0	144.7	3561.9	145.9	3690.7	150.2	3705.2	148.4	25	
		CPL	3249.1	129.5	3386.5	137.7	3390.2	138.9	3512.8	143.0	3526.6	141.3		
		HAL	3339.2	133.1	3480.4	141.6	3484.2	142.7	3610.2	146.9	3624.5	145.2		
		CSL	3232.6	128.8	3369.3	137.0	3373.0	138.2	3494.9	142.2	3508.7	140.6		
		FCL	3289.8	131.1	3428.9	139.5	3432.7	140.6	3556.8	144.8	3570.8	143.0		
		RFL	3367.5	134.2	3509.9	142.8	3513.8	143.9	3640.8	148.2	3655.2	146.4		
		PVL	3001.8	119.6	3128.7	127.2	3132.1	128.3	3245.4	132.1	3258.2	130.5		

¹ Values are nominal, see IES file for more detail ² Electrical data at 25°C (77°F). Actual wattage may differ by +/- 10%
* Ambient Temperature range is -4°F - 104°F for all models



LED SYSTEMS INFO (Continued)

LED SYSTEMS INFORMATION ¹		Lumen Package	Lens	2700K		3000K		3500K		4000K		5000K		Watts ²
Model Numbers				Lumens	Efficacy	Lumens	Efficacy	Lumens	Efficacy	Lumens	Efficacy	Lumens	Efficacy	
VPAN24-28L/57L-U-CCTS-G2	42L	ISL	4053.1	133.7	4225.0	143.1	4229.5	144.4	4382.3	148.7	4399.7	146.0	30	
		CPL	3857.8	127.3	4021.3	136.2	4025.6	137.5	4171.1	141.5	4187.6	139.0		
		HAL	3964.8	130.8	4132.9	140.0	4137.3	141.3	4286.8	145.5	4303.8	142.9		
		CSL	3838.2	126.6	4000.9	135.5	4005.2	136.8	4149.9	140.8	4166.4	138.3		
		FCL	3906.1	128.9	4071.7	137.9	4076.1	139.2	4223.4	143.3	4240.1	140.7		
		RFL	3998.4	131.9	4167.9	141.2	4172.4	142.5	4323.1	146.7	4340.3	144.1		
		PVL	3564.1	117.6	3715.2	125.9	3719.2	127.0	3853.6	130.8	3868.9	128.4		
	49L	ISL	4639.8	131.5	4836.2	141.4	4841.4	142.9	5016.8	147.1	5035.7	143.5	35	
		CPL	4416.2	125.2	4603.1	134.5	4608.0	136.0	4775.0	140.0	4793.0	136.5		
		HAL	4538.7	128.7	4730.8	138.3	4735.9	139.8	4907.4	143.9	4925.9	140.3		
		CSL	4393.7	124.5	4579.7	133.9	4584.6	135.3	4750.7	139.3	4768.6	135.8		
		FCL	4471.5	126.8	4660.8	136.2	4665.8	137.7	4834.8	141.8	4853.1	138.2		
		RFL	4577.1	129.7	4770.9	139.4	4776.0	141.0	4949.0	145.1	4967.7	141.5		
		PVL	4080.0	115.7	4252.7	124.3	4257.3	125.6	4411.5	129.4	4428.2	126.1		
	57L	ISL	5333.1	130.0	5559.0	137.8	5564.7	140.0	5766.6	143.8	5788.7	141.4	40	
		CPL	5076.0	123.7	5291.0	131.2	5296.5	133.2	5488.6	136.9	5509.6	134.5		
		HAL	5216.8	127.1	5437.8	134.8	5443.4	136.9	5640.8	140.7	5662.5	138.3		
		CSL	5050.3	123.1	5264.1	130.5	5269.6	132.6	5460.7	136.2	5481.7	133.9		
		FCL	5139.7	125.3	5357.3	132.8	5362.9	134.9	5557.4	138.6	5578.7	136.2		
		RFL	5261.0	128.2	5483.9	135.9	5489.5	138.1	5688.6	141.9	5710.5	139.5		
		PVL	4689.7	114.3	4888.3	121.2	4893.3	123.1	5070.8	126.5	5090.2	124.3		
VPAN24-49L/77L-U-CCTS-G2	49L	ISL	4514.8	136.1	4668.4	143.1	4714.7	145.3	4771.6	148.5	4777.3	146.1	32	
		CPL	4297.1	129.6	4443.4	136.2	4487.4	138.3	4541.6	141.4	4547.1	139.1		
		HAL	4416.3	133.2	4566.6	140.0	4611.9	142.1	4667.6	145.3	4673.2	142.9		
		CSL	4275.3	128.9	4420.8	135.5	4464.6	137.6	4518.5	140.6	4524.0	138.3		
		FCL	4351.0	131.2	4499.1	137.9	4543.7	140.0	4598.5	143.1	4604.1	140.8		
		RFL	4453.8	134.3	4605.3	141.2	4651.0	143.3	4707.1	146.5	4712.8	144.1		
		PVL	3970.0	119.7	4105.2	125.8	4145.9	127.7	4195.9	130.6	4200.9	128.5		
	56L	ISL	5036.8	135.4	5214.1	142.4	5233.0	144.7	5383.8	147.9	5390.9	145.5	37	
		CPL	4794.0	128.9	4962.8	135.5	4980.7	137.7	5124.2	140.8	5131.0	138.5		
		HAL	4927.0	132.4	5100.4	139.3	5118.9	141.6	5266.4	144.7	5273.4	142.3		
		CSL	4769.7	128.2	4937.6	134.9	4955.4	137.0	5098.2	140.1	5105.0	137.8		
		FCL	4854.1	130.5	5025.0	137.2	5043.2	139.5	5188.5	142.6	5195.4	140.2		
		RFL	4968.8	133.6	5143.7	140.5	5162.3	142.8	5311.0	145.9	5318.0	143.5		
		PVL	4429.1	119.1	4585.0	125.2	4601.6	127.3	4734.2	130.1	4740.5	128.0		
	63L	ISL	5817.7	134.7	6025.5	141.7	6054.5	144.2	6227.4	147.4	6235.5	144.9	42	
		CPL	5537.2	128.2	5735.0	134.9	5762.6	137.2	5927.2	140.2	5934.9	137.9		
		HAL	5690.8	131.7	5894.1	138.6	5922.5	141.0	6091.6	144.1	6099.6	141.8		
		CSL	5509.1	127.5	5705.9	134.2	5733.3	136.5	5897.1	139.5	5904.8	137.2		
		FCL	5606.7	129.8	5806.9	136.6	5834.9	139.0	6001.5	142.0	6009.4	139.7		
		RFL	5739.1	132.8	5944.1	139.8	5972.7	142.2	6143.2	145.4	6151.3	143.0		
		PVL	5115.7	118.4	5298.5	124.6	5324.0	126.8	5476.0	129.6	5483.2	127.4		
70L	ISL	6321.9	133.9	6551.1	141.0	6590.4	143.6	6777.0	146.8	6785.7	144.4	47		
	CPL	6017.1	127.5	6235.3	134.2	6272.7	136.7	6450.3	139.7	6458.6	137.4			
	HAL	6184.0	131.0	6408.2	137.9	6446.7	140.5	6629.2	143.6	6637.8	141.2			
	CSL	5986.6	126.8	6203.6	133.5	6240.9	136.0	6417.5	139.0	6425.8	136.7			
	FCL	6092.6	129.1	6313.4	135.9	6351.4	138.4	6531.2	141.4	6539.6	139.1			
	RFL	6236.4	132.1	6462.5	139.1	6501.4	141.7	6685.4	144.8	6694.0	142.4			
	PVL	5559.1	117.8	5760.6	124.0	5795.3	126.3	5959.3	129.1	5967.0	126.9			
77L	ISL	7054.4	133.2	7313.9	140.3	7366.8	143.1	7573.4	146.2	7583.0	143.8	52		
	CPL	6714.4	126.8	6961.4	133.6	7011.7	136.2	7208.4	139.1	7217.5	136.8			
	HAL	6900.6	130.3	7154.5	137.3	7206.2	140.0	7408.3	143.0	7417.7	140.6			
	CSL	6680.3	126.1	6926.0	132.9	6976.1	135.5	7171.7	138.4	7180.8	136.2			
	FCL	6798.6	128.4	7048.7	135.2	7099.6	137.9	7298.7	140.9	7308.0	138.6			
	RFL	6959.1	131.4	7215.1	138.4	7267.2	141.2	7471.1	144.2	7480.6	141.8			
	PVL	6203.3	117.1	6431.5	123.4	6478.0	125.8	6659.7	128.5	6668.1	126.4			

¹ Values are nominal, see IES file for more detail ² Electrical data at 25C (77F). Actual wattage may differ by +/- 10%

* Ambient Temperature range is -4°F - 104°F for all models



CONTROLS OPTIONS

ADVANCED

NUROAir by ILLUMUS

NUROAir Integrated Sensor is the optimal groupable controls lighting solution. With main features such as Passive Infrared (PIR), Occupancy, and Daylight Harvesting - this flexibility makes the NUROAir Integrated Sensor ideal for tailoring lighting to specific space needs, optimizing both ambiance and efficiency. The NUROAir App, available for download on iOS and Google Play Store, offers a user-friendly interface for customization of your space. Through the app, users can configure sensor settings such as the Light Output, CCT output, Hold Time, Standby Time/Level, High/Low End Trim, set schedules, and control lighting groups or zones, all from a mobile or tablet device.



[Click Here or Scan Code to Learn More About](#)

NUROAir Bluetooth Controls

EASYSENSE

ESMC/CM

EasySense sensor combines occupancy sensing, daylight harvesting and institutional tuning in one compact solution. This is an ideal control for any Commercial application. Each device allows you to turn on/off occupancy and/or daylight harvesting functions as well as set the full light output, background light level, occupancy prolong time, occupancy grace fading time & occupancy time out/hold time. It can be easily controlled via the Philips MasterConnect Bluetooth App on a mobile phone.

ESMC/WWS/DR

Optional Wireless / Batteryless Dual Rocker Wall Switch. Up to 100ft range. Functions include: On/Off, dimming and setting of (2) scenes for full room control.

Specifications:

- Wireless
- ZigBee®
- Batteryless
- 30-100ft Range
- Dual Rocker

Functions:

1. On (Hold to brighten up)
2. Off (Hold to dim down)
3. Scene 1
4. Scene 2

LUTRON

VDO

Vive DFCSJ-OEM-OCC integral fixture control sensor with daylight & occupancy. Vive provides intuitive programming allowing for maximum flexibility with wireless communication & sensing as desired. Provided with factory installed components only. Lutron system provided by others. Sensor must be used in conjunction with Pico Switch/Dimmer. Cannot be used in conjunction with mechanical on/off power switch. Contact factory for more information.

AWNR

Athena wireless node is a radio frequency (RF) device that enables simple, digital control of individual light fixtures in an Athena control system. Enables individual wireless control of each fixture in an Athena control system. Accommodates zone and control changes without rewiring. All drivers on the link are controlled as a single zone. Provided with factory installed components only. Lutron Athena system provided by others.

VRF

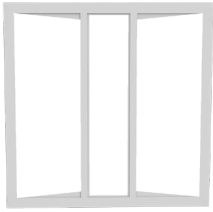
Vive DFCSJ-OEM-RF integral fixture control with Radio Frequency (RF) communication. Vive provides intuitive programming allowing for maximum flexibility with wireless communication as desired. Provided with factory installed components only. Lutron system provided by others. Sensor must be used in conjunction with Pico Switch/Dimmer. Cannot be used in conjunction with mechanical on/off power switch. Contact factory for more information.

AWNS

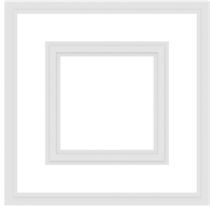
Athena wireless node with a sensor that enables simple, digital control of individual light fixtures in an Athena control system. Provides wireless control of the fixture and includes a passive infrared (PIR) sensor for occupancy and a daylight sensor. Enables individual wireless control of each fixture in an Athena control system. Accommodates zone and control changes without rewiring. All drivers on the link are controlled as a single zone. Provided with factory installed



envi STANDARD LENS OPTIONS



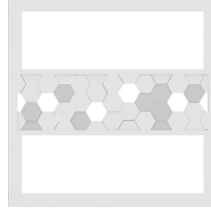
ISL
Internal Slot Lens



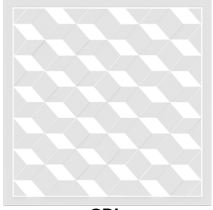
FCL
Center Frame Lens



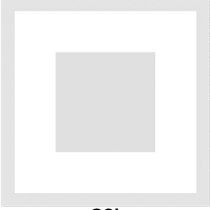
RFL
Reeds Frame Lens



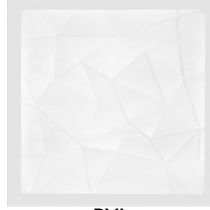
HAL
Hexad Lens



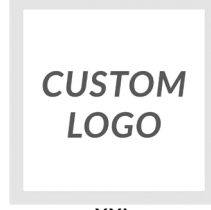
CPL
Cubed Panoramic Lens



CSL
Center Square Lens



PVL
Peak View Lens



XXL
Custom Lens

envi BIOPHILIC LENS OPTIONS



WWL
Whispering Woods Lens



ASL
Alpine Serenity Lens



LAL
Leafy Aura Lens



SKL
Cloudy Sky Lens

DROP LENS, SKYLIGHT MOUNT & ACOUSTIC DROP PANEL OPTIONS



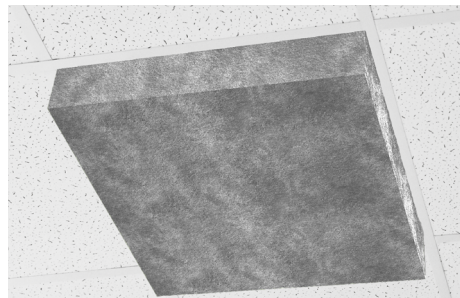
ADL/x Acrylic Drop Lens
2",4",6" (x=2, 4, or 6 for Drop Inch Depth)
Shown with 2" Acrylic Drop Lens



+VPANxx SLMK Skylight Mount Kit
(xx=size, 22=2x2)
Shown in 2x2 Size with SKL Cloudy Sky Lens



+VPANxx SLMK/ T BLK Skylight Mount Kit Tilt
(xx=size, 22=2x2)
Shown in 2x2 Size with PVL Peak View Lens



ADP/x/Axx Acoustic Drop Panel
2",4",6" (x = 2, 4, 6 for Drop Inch Depth; Axx = color)
Shown with 2" Acoustic Drop Panel in A02 Pewter Color



ACOUSTIC SOLUTIONS



Acoustic drop panels are architectural elements designed to enhance the acoustic performance of a space by reducing noise, improving speech intelligibility, and minimizing echoes and reverberation. Deployed to control excessive sound reflections and create a more comfortable acoustic environment.

envi ACOUSTIC SOLUTION

- 2x2 sound absorbing panels available in 2", 4" and 6" drop heights
- Designed for 15/16" and 9/16" grid ceilings
- Class A flame rating
- Wide array of color options allows you to fully customize any space
- Pair acoustic drop panels with envi designer panel fixtures to envision a new way to transform your space

NRC - NOISE REDUCTION COEFFICIENT

NRC stands for Noise Reduction Coefficient, indicating the measure of an Acoustic Drop Panels ability to absorb sound and reduce noise within a space. The rating typically ranges from 0 to 1. Higher values indicate better sound absorption.

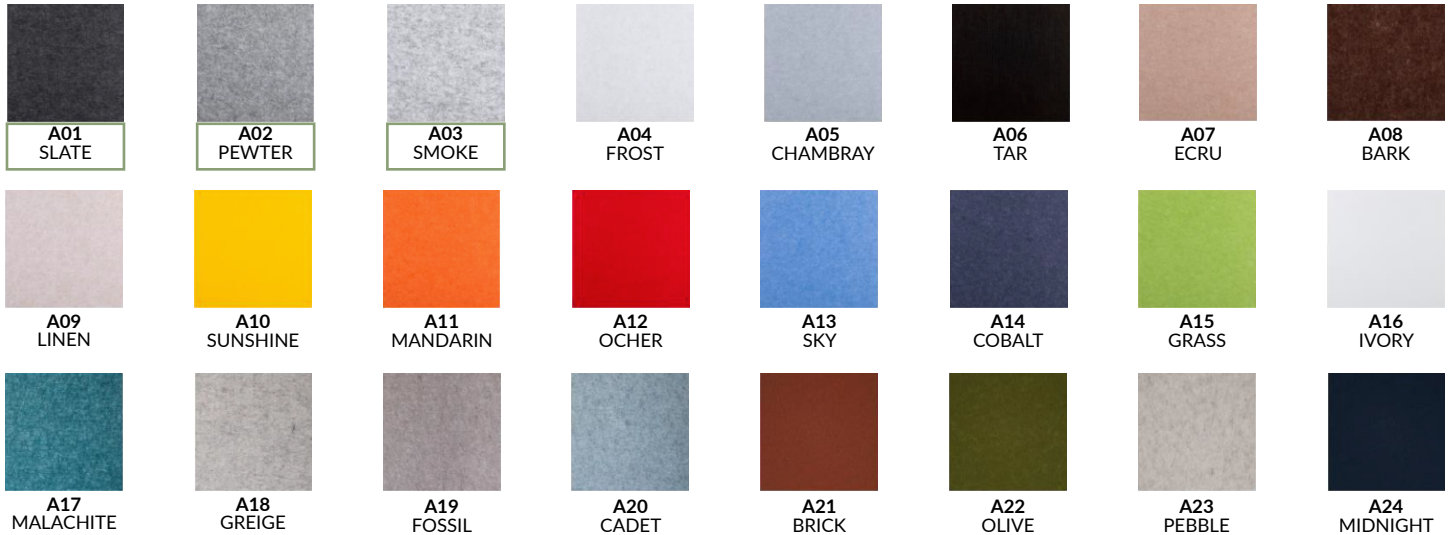
BENEFITS

- Increase work efficiency
- Increase comfort for occupants
- Increase sound quality
- Decrease noise levels
- Decrease sound reverberation
- Decrease distractions

ACOUSTIC DROP COLOR OPTIONS

ADP/x/Axx Acoustic Drop Panel (x = 2, 4, 6 for Drop Inch Depth; Axx = color) EX: ADP/2/A01 - Acoustic Drop Panel 2 Inch Slate Color

NRC Noise Reduction Coefficient: Color Options A01 - A03 have a NRC of 0.8, Color Options A04 - A24 have a NRC of 0.9

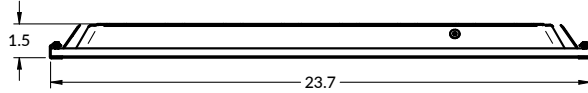
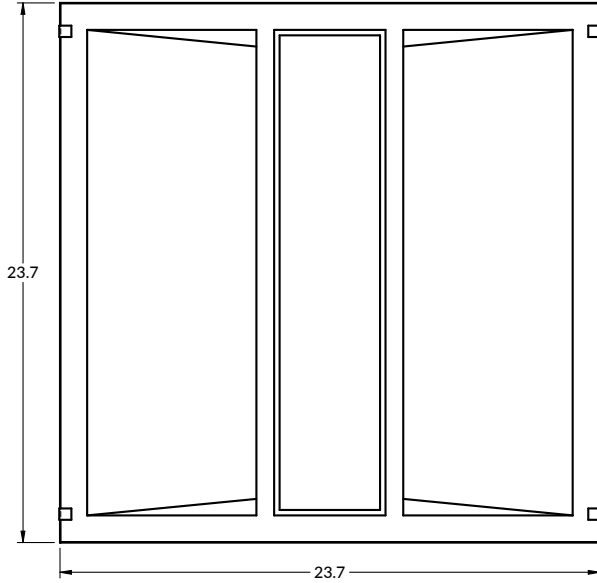


Standard colors A01 - A03 subject to MOQ Custom colors A04 - A24 subject to MOQ, extended lead time, and one-time setup fee



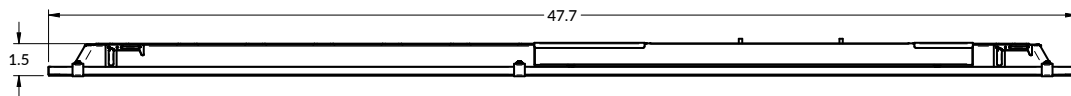
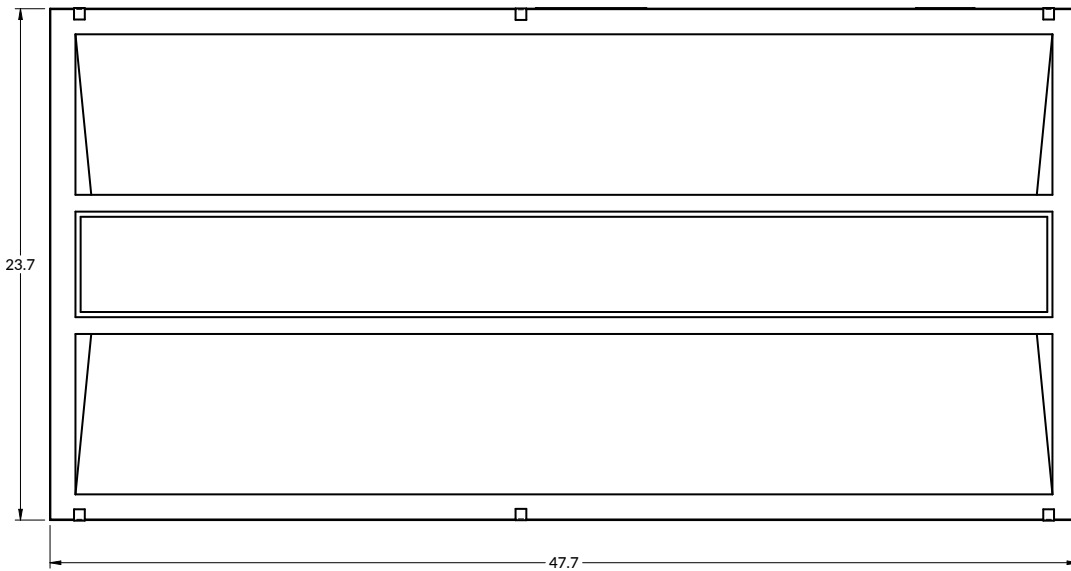
LINE DRAWINGS

2x2 Dimensions with ISL Internal Slot Lens



Shown with ISL Internal Slot Lens option. Measurements are the same across lens types, design may vary depending on lens selection.

2x4 Dimensions with ISL Internal Slot Lens

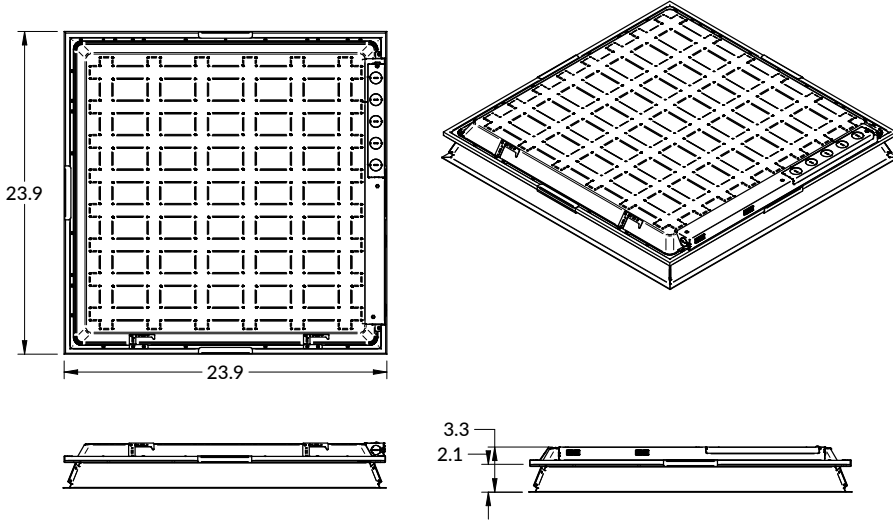


Shown with ISL Internal Slot Lens option. Measurements are the same across lens types, design may vary depending on lens selection.

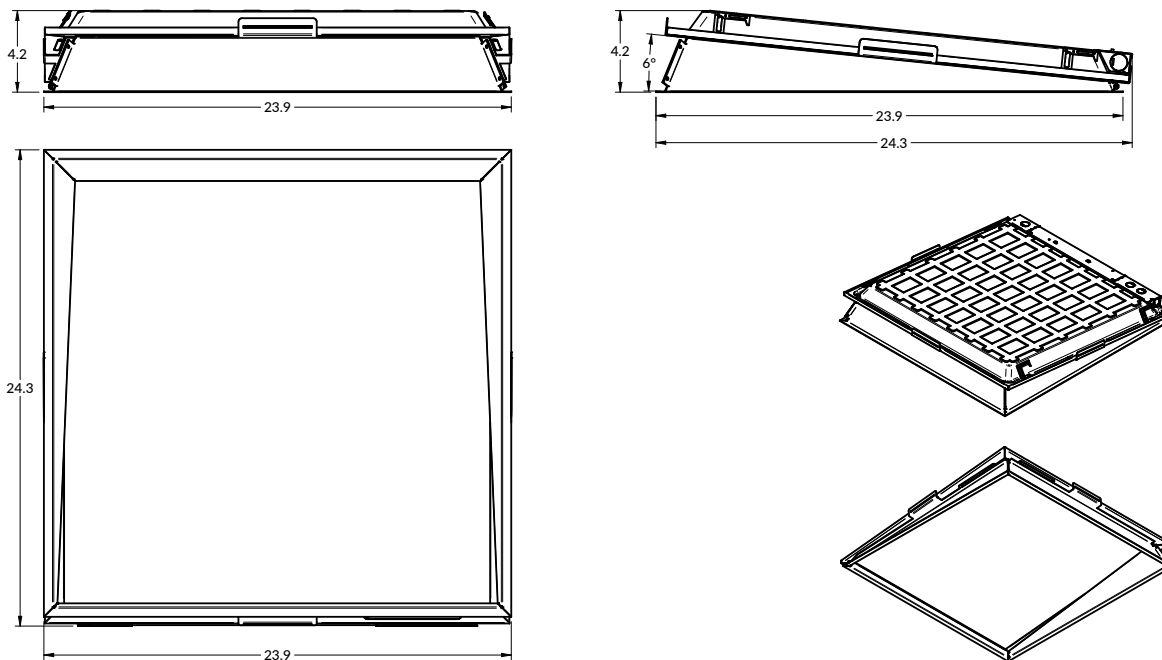


LINE DRAWINGS (Continued)

2x2 Dimensions with SLMK Skylight Mount Kit



2x2 Dimensions with SLMK/T Skylight Mount Tilt Kit



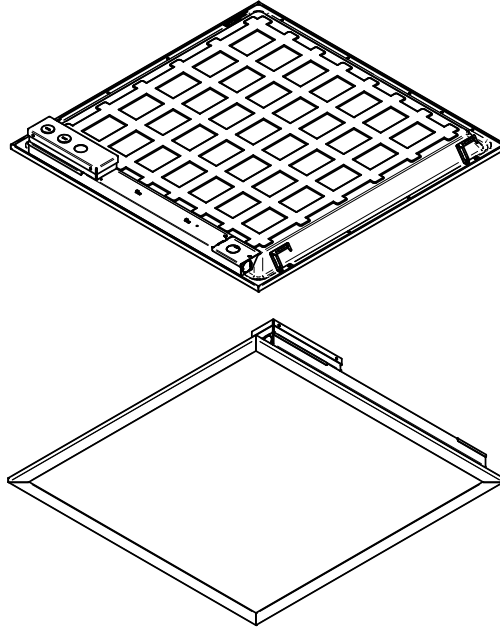
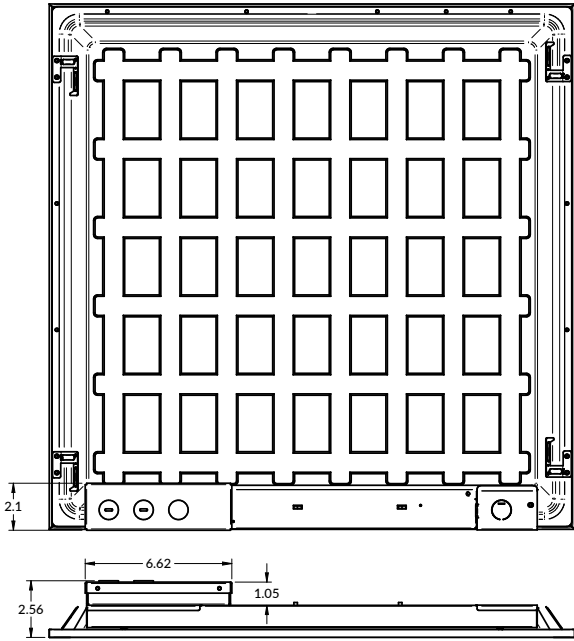


envi
COLLECTION

DESIGNER PANEL FIXTURE

LINE DRAWINGS (Continued)

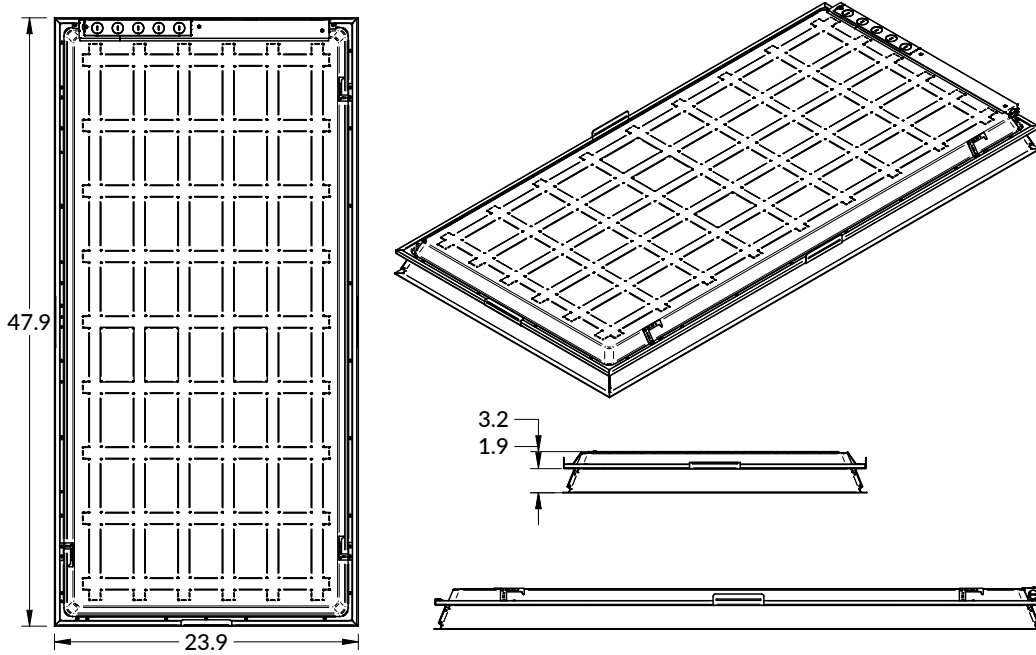
2x2 Dimensions with LJB (Large Junction Box)



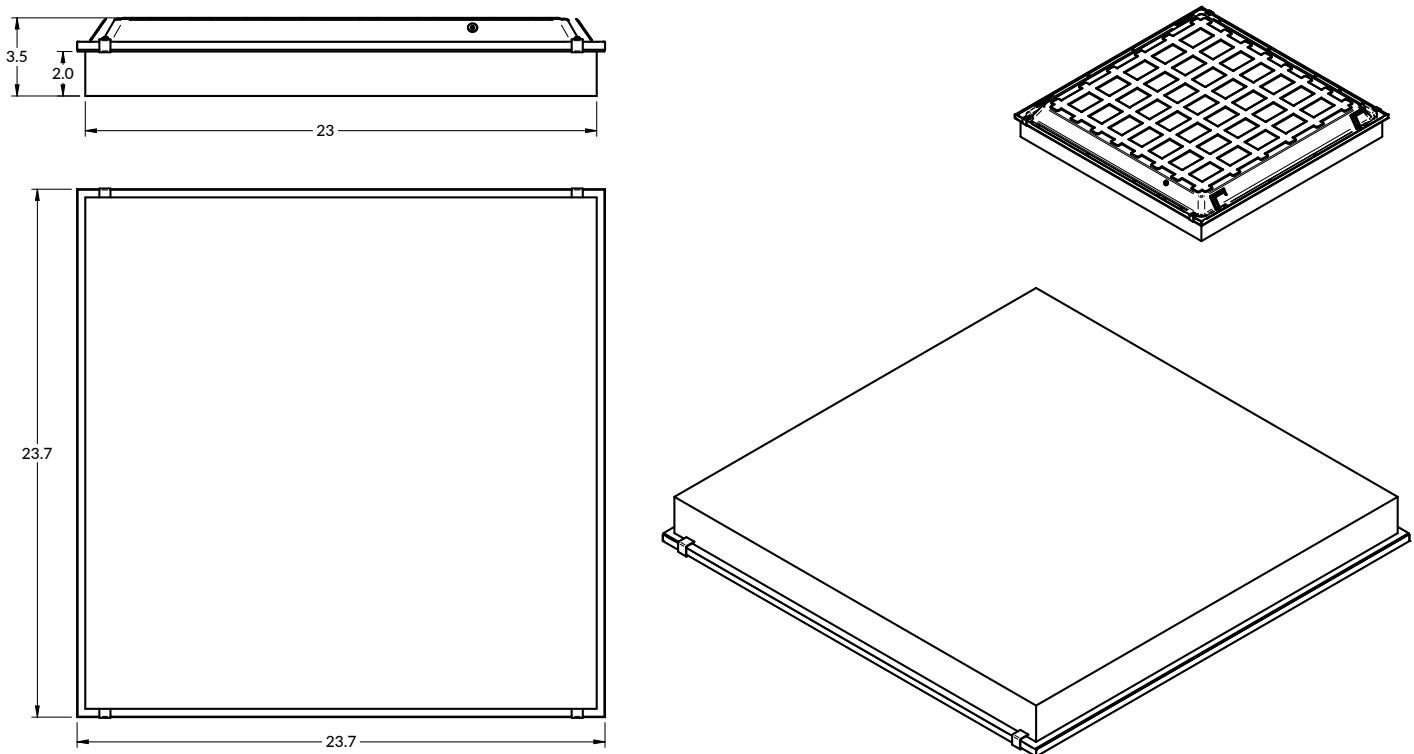


LINE DRAWINGS (Continued)

2x4 Dimensions with SLMK Skylight Mount Kit



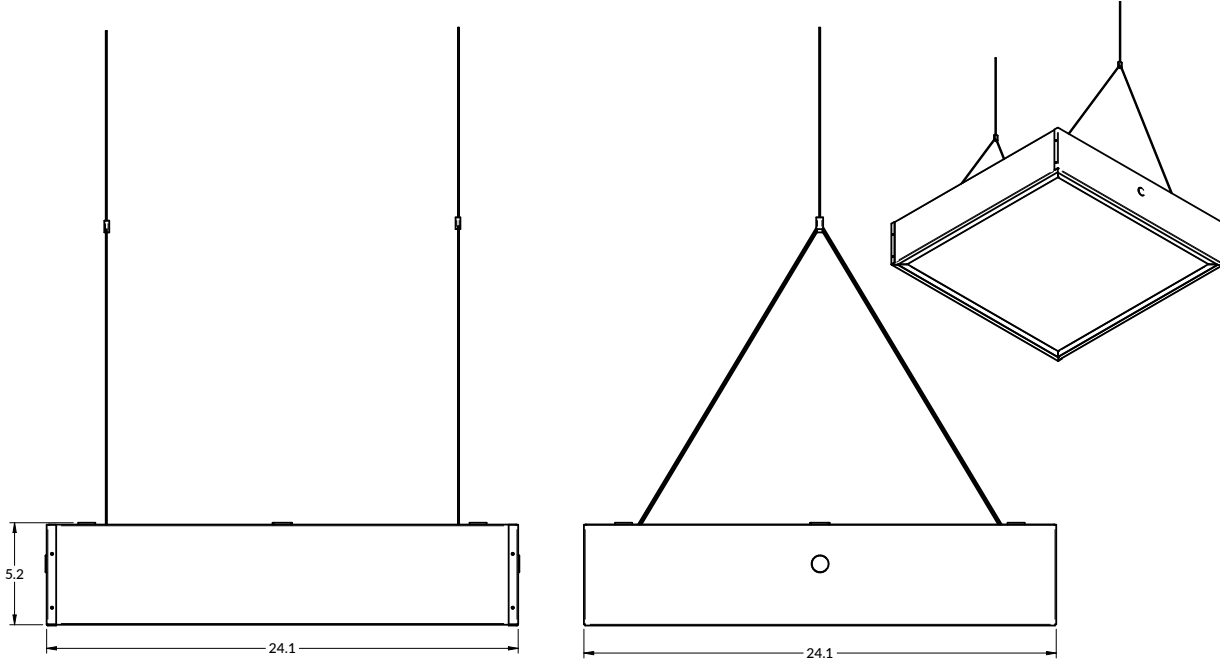
2x2 Dimensions with ADL/2 Acrylic Drop Lens 2"



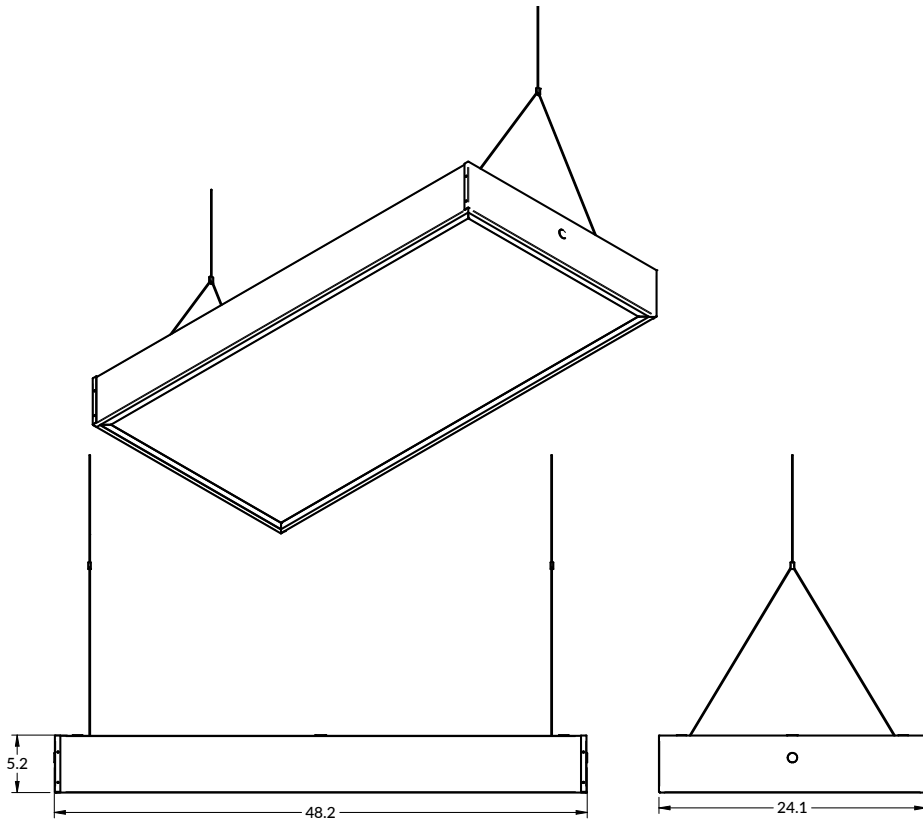


LINE DRAWINGS (Continued)

2x2 Dimensions with SEK Suspended Enclosure Kit



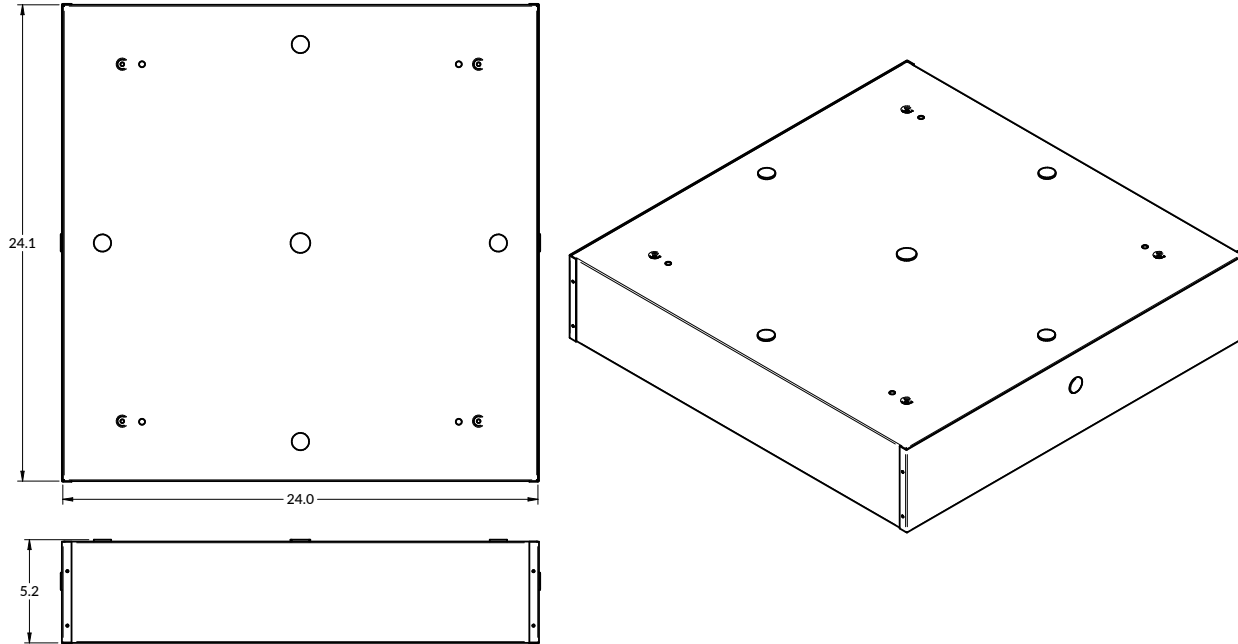
2x4 Dimensions with SEK Suspended Enclosure Kit



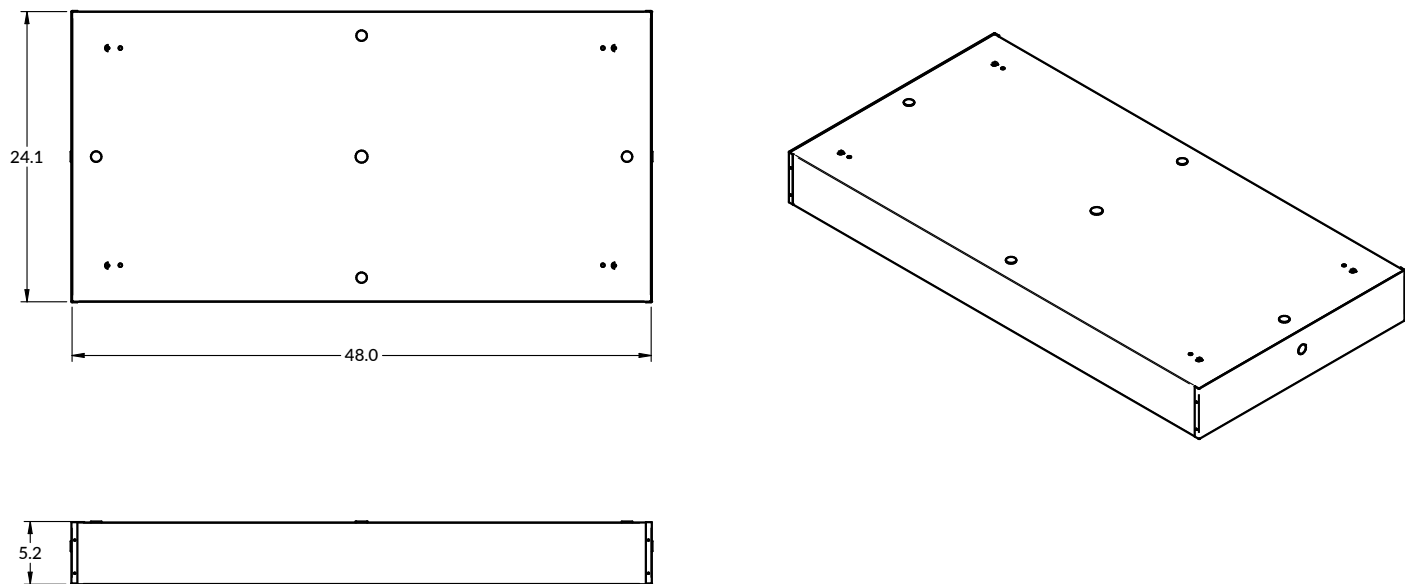


LINE DRAWINGS (Continued)

2x2 Dimensions with SM Surface Mount Kit



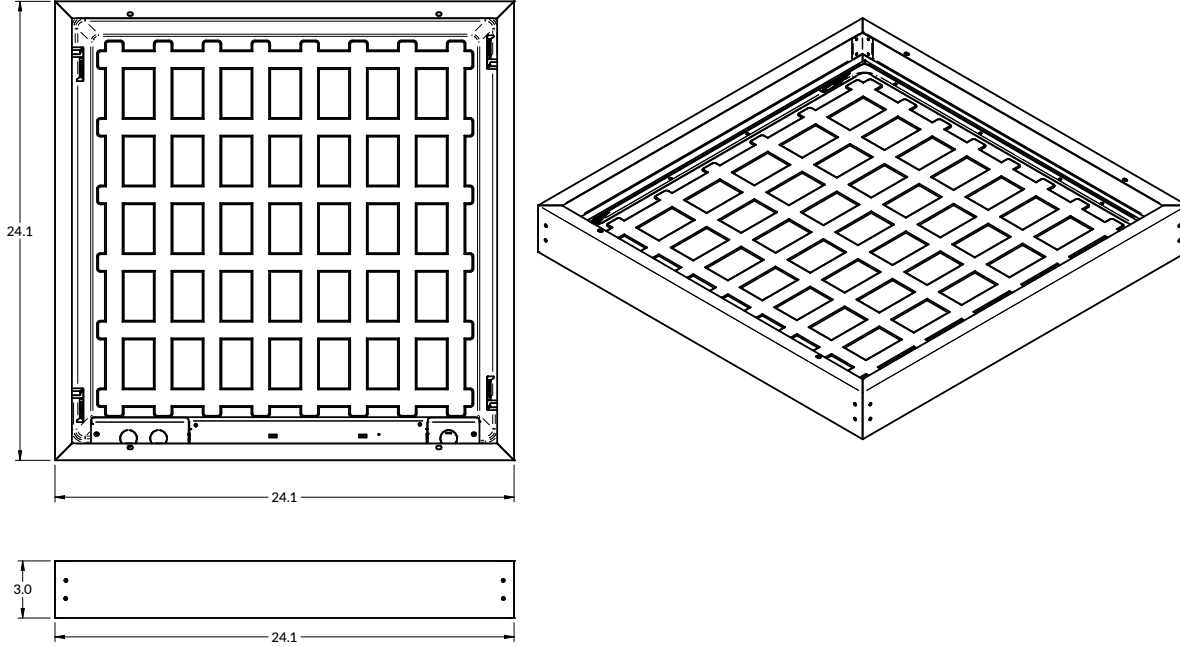
2x4 Dimensions with SM Surface Mount Kit



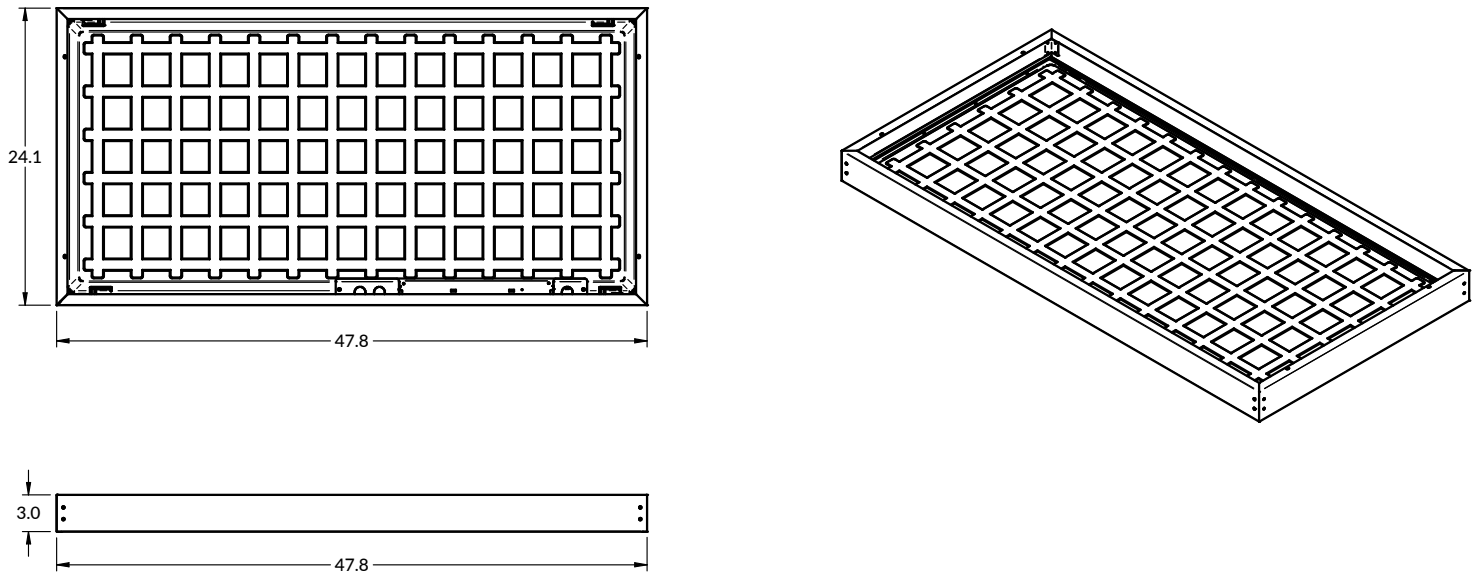


LINE DRAWINGS (Continued)

2x2 Dimensions with SMSK Surface Mount Skirt Kit



2x4 Dimensions with SMSK Surface Mount Skirt Kit

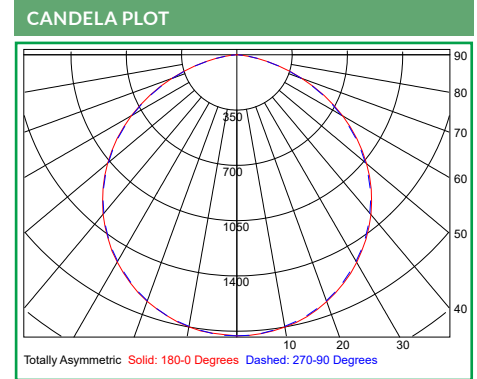




PHOTOMETRIC DATA

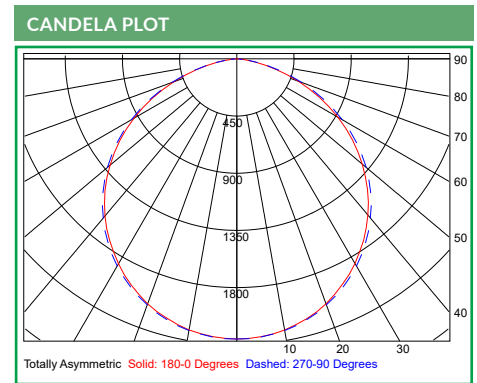
LUMINAIRE DATA	
Part Number	VPAN22-44L-U-40-ISL
Description	Selectable Flat Panel, 2x2, 4400lm, 4000K, Lens: ISL
Fixture Lumens (lm)	4,961 lm
Wattage (W)	37.6 W
Efficacy (lm/W)	131.977 lm/W
Mounting	Recessed

ZONAL LUMEN SUMMARY		
Zone	Lumens (lm)	% Fixture
0° - 40°	2,276	46%
0° - 60°	4,022	81%
0° - 90°	4,962	100%
90° - 180°	0	0%
0° - 180°	4,962	100%



LUMINAIRE DATA	
Part Number	VPAN24-55L-U-40-ISL
Description	Selectable Flat Panel, 2x4, 5500lm, 4000K, Lens: ISL
Fixture Lumens (lm)	6,100 lm
Wattage (W)	46.91 W
Efficacy (lm/W)	130.04 lm/W
Mounting	Recessed

ZONAL LUMEN SUMMARY		
Zone	Lumens (lm)	% Fixture
0° - 40°	2,814	46%
0° - 60°	4,960	81%
0° - 90°	6,101	100%
90° - 180°	0	0%
0° - 180°	6,101	100%



LUMINAIRE DATA	
Part Number	VPAN24-80L-U-40-ISL
Description	Selectable Flat Panel, 2x4, 8000lm, 4000K, Lens: ISL
Fixture Lumens (lm)	7,606 lm
Wattage (W)	55.73 W
Efficacy (lm/W)	136.48 lm/W
Mounting	Recessed

ZONAL LUMEN SUMMARY		
Zone	Lumens (lm)	% Fixture
0° - 40°	3,508	46%
0° - 60°	6,183	81%
0° - 90°	7,606	100%
90° - 180°	0	0%
0° - 180°	7,606	100%

