



SKYLINE

AREA LIGHT SERIES

PRODUCT
OVERVIEW



SCAN OR
CLICK HERE

FEATURES

- Delivers uniform and precise lighting with five factory-rotatable optical distributions for maximum coverage.
- Simplifies installation with a no-drilling quick pole mount, enabling one-person setup on existing poles.
- Ensures long-lasting performance with an IP66-rated die-cast aluminum housing and UV-stabilized optics.
- Offers advanced control options with wireless integration, PIR occupancy sensors, and bi-level dimming capabilities.
- Adapts to diverse applications with nine mounting methods, including tilt-adjustable and fixed configurations.
- Reduce light spill with optional integrated house-side shields for improved site control.

DIGITAL NAVIGATION

Explore the spec sheet through the links below

[ORDERING GUIDE](#)

[LED SYSTEMS TABLE](#)

[EPA RATINGS VIBRATION CHART](#)

[TILT DEGREE](#)

[ELECTRICAL DATA AMPS](#)

[FIELD ADJUSTABLE OUTPUT DATA](#)

[CONTROLS](#)

[BACKLIGHT CONTROL OPTIONS](#)

[LINE DRAWINGS](#)

[PHOTOMETRIC DATA](#)



* Shown with UMB Mounting

SUITABLE APPLICATIONS

- Parking Lots
- Parking Structure
- Parks
- Education
- Hospitals
- Car Dealerships
- Roadways
- Shopping Centers

CERTIFICATIONS



*Specific Models Only

SPECIFICATIONS

CONSTRUCTION

The Skyline series features a slim profile die-cast aluminum housing available in 2 different sizes for a fully scalable solution. The versatile 9 optional mounting methods allow for easy installation while the hinged door allows for quick drop-down driver access for maintenance. The fully gasketed housing is IP66 rated for whole luminaire ingress protection against moisture and environmental contaminants. The Skyline's low-profile design results in a low EPA, allowing pole optimization to thinner or smaller size pole shafts. Vibration rated per ANSI C136.31 on all mountings (see table Above). The Skyline Series is protected with a durable bronze polyester powder coat finish to withstand extreme weather changes without cracking or peeling.

OPTICS

The IP66 silicone gasket sealed optical chamber utilizes proprietary refractive optics to provide exceptional coverage and uniformity in factory rotatable IES Types 2, 3, 4, 5S (Square) or FTA (Forward Throw Automotive). Polycarbonate optics are impact resistant and UV stabilized for maximum longevity. Available in 5000K, 4000K, and 3000K, color temperatures per ANSI C78.377. Minimum CRI of 70. The optical integrated House side shield (HSS) option allows for improved backlight control without any large shields taking away from the site. The Skyline series produces Zero upright and is DarkSky approved in 3000K color temperature. Optional field installed 3-sided glare shield accessory is available for on-site external house side protection.

ELECTRICAL

Class 1 High-performance drivers features over-voltage, under-voltage, short circuit and over temperature protection. 0-10V dimming (10% - 100%) standard. Standard Universal Voltage (120-277 Vac) Input 50/60 Hz or optional High Voltage (277-480 Vac). L80 >100,000 hrs. in accordance with IESNA TM-21-19 projected values at 25°C Ambient temperature. Total harmonic distortion: <20%. Power factor: >0.90. Input power stays constant over life. Minimum 6kV surge rating meets a minimum Category C Low operation (per ANSI/IEEE C62.41.2). Additional protection is available in 10kV and 20kV options.

THERMAL

The Skyline Series features an array of High-efficacy LED's mounted on a metal core circuit board. The LED boards are mounted directly to the cast aluminum housing with heat dissipating fins to provide excellent thermal performance extending the life of electronic components. Operating Ambient Temperature: -40°C to +50°C (-40°F to 122°F) 50L Lumen -Package: -40°C to +45°C (-40°F to 113°F).

INSTALLATION

The Skyline series offers nine versatile mounting options. The standard universal mounting bracket (UMB) allows for a quick, no-drill, one-person installation on existing pole drillings. The UMB quick mount fits 4-6" square poles, while the UMB/R adapts to 3-6" round poles. The universal adjustable bracket (UAB) adds full tilt capability. Wall mounting options include the fixed (WFM) and adjustable (WAM) mounts. The horizontal mast arm (HMA) fits 2" (2-3/8" OD) mast arms. The slip fitter (SLPF), rated 1.5G, supports vertical or horizontal tenons with full tilting, while all other arms are 3G-rated. The trunnion/yoke bracket (TRN) enables flood applications. All mounts include a 3-wire, 3' outdoor-rated cord, with a 5-wire option available for external dimming. See charts for vibration, weight, and EPA details. Skyline is DarkSky approved for fixed mounting options only.

CONTROLS

Factory installed 3-Pin & 7-Pin ANSI C136.41 Control Receptacle Options available. Dusk to Dawn twist lock photocells sold separately (See accessories). Optional PIR sensors available installed in housing hinged door. See controls section for detailed information on standalone and wireless control options.

CERTIFICATIONS

ETL Listed for wet locations per UL 1598 standards.. Tested in accordance with IESNA LM-79 and LM-80 standards. BAA compliant. RoHS Compliant. Title 24 Compliant; see local ordinance for qualification information. IP66 rated Luminaire per IEC 60598. IP66 rated optical chamber. Finish salt-spray tested to 500 hours per ASTM B117.

DLC Premium Listed Product, Not all versions of this product may be DLC Premium qualified. Please check the DLC Qualified Products List at www.designlights.org/QPL to confirm which versions are qualified.

WARRANTY

5 Year Warranty Standard; 10 Year Warranty Optional ([Terms and Conditions apply](#)).

CONTINUE TO NEXT PAGE



ORDERING GUIDE

PART #

Example: SAM-24L-U-50-T4-UMB-BRZ-HSS-NURO

SERIES	LUMENS	DRIVER	CCT	DISTRIBUTION	ORIENTATION	MOUNTING
SAS Skyline Small	6L 6,000 lm 9L 9,000 lm 12L 12,000 lm 15L 15,000 lm 18L 18,000 lm	U 120-277V HV 277-480V	30 3000K 40 4000K 50 5000K	T2 T2 - Type 2 T3 T3 - Type 3 T4 T4 - Type 4 T5S Type 5 Square FTA Forward Throw Automotive	BLANK Standard L Optics Rotated Left R Optics Rotated Right	SLPF Adjustable Slip Fitter UMB Universal Fixed UMB/R Universal Mount Sqr/Rnd pole 3"-6" UAB Universal Adjustable UAB/R Universal Adjustable Sqr/Rnd pole 3"-6" WFM Wall Fixed Mount WAM Wall Adjustable Mount TRN Trunnion Mount HTM Horizontal Tenon Mount
SAM Skyline Medium	24L 24,000 lm 30L 30,000 lm 36L 36,000 lm 42L 42,000 lm 50L 50,000 lm					

FINISH	HSS	SML	CONTROLS OPTIONS	
BRZ Bronze BLK Black WHT White SLV Silver NAT Natural Aluminum RALxxxx ⁸ Custom (xxxx= Custom RAL#)	BLANK None HSS ² Rotatable House Side Shield	BLANK None SMLxxxx Specified Lumen Output (xxxx= Lumen Output, Nearest Hundred)	BASIC	ADVANCED
			BLANK None FAO Field Adjustable Output CR3P 3-Pin NEMA Control receptacle CR7P ⁶ 7-Pin NEMA Control receptacle FSP311/LX ³ Legrand FSP-311 120/277V Sensor (X = Mounting Height, 3=10-20', 7=20-40') FSP321/LX ³ Legrand FSP-321 120-480V Sensor (X = Mounting Height 3=10-20', 7=20-40') CR3P/FAO Universal 3-Pin control receptacle (See acc. for photocells) with Field Adjustable Output - 7 level selection connected to 0-10V dimming wires CR7P/FSP/Lx Universal 7-Pin control receptacle with FSP Sensor (X= Mounting Height, 3=20', 7=40') (Controls provided by others)	BLANK None NURO ^{1,3} NUROAir Plug n Play Bluetooth Groupable Sensor SYN ⁵ Synapse Control System SYNS/LX ⁵ Synapse Control System w/ Sensor (X = Mounting Height 3=10-20'; 7=20-40')

PROTECTION	WARRANTY	SHIP WITH ACCESSORIES
BLANK None SP1 ¹ 10kA Surge Protection Device SP2 ¹ 20kA Surge Protection Device SP1HV 10kA Max 480V Surge Protector SP2HV 20kA Max 480V Surge Protector FUSE/SXXX FUSE 120V, 277V, 347V (x= voltage) FUSE/DXXX FUSE 208V, 240V, 480V (x= voltage)	BLANK 5 Year 10YR ² 10 Year	BLANK None SAX/BIRD/yyy Bird Spikes (x= fixture size) (yyy=finish) SAX/GS/yyy ² Rotatable Glare Shield (x= fixture size) (yyy=finish) ILP PAINT CHIP PACK yyy ILP Standard Color Paint Chips (yyy=finish) TLSC ⁴ Twist Lock Shorting cap for use with CRxP Option (120V-480V) TL7/HVG ^{5,7} Synapse Twist Lock Mesh Network 120-480V TLPC/HV ⁴ 277-480V Twist Lock Photocell TLPC/UNV ^{1,4} 120-277V Twist Lock Photocell

FOOTNOTES

- ¹ Not available with HV option
- ² Option Not DLC qualified
- ³ Requires Bluetooth Enabled device for programming (provided by others)
- ⁴ Only Compatible with CR3P and CR7P
- ⁵ Contact Factory for Site Layout, For HV models contact Factory for pricing.
- ⁶ Dimming Leads will be wired to receptacle unless otherwise specified
- ⁷ CR7P Required
- ⁸ Contact factory for pricing and availability
- ⁹ Requires additional Surge Protection (SP1, SP2, SP480V2); For additional details see General Terms and Conditions. Consult Factory for pricing



DARKSKY APPROVED ORDERING GUIDE

PART #

Example: SAM-24L-U-30-T4-UMB-BRZ-HSS-NURO

SERIES		LUMENS		DRIVER	CCT	DISTRIBUTION		ORIENTATION		MOUNTING	
SAS Skyline Small	6L	6,000 lm	U 120-277V HV 277-480V	30 3000K	T2 T2 - Type 2 T3 T3 - Type 3 T4 T4 - Type 4 T5S Type 5 Square FTA Forward Throw Automotive	BLANK Standard L Optics Rotated Left R Optics Rotated Right	UMB Universal Fixed UMB/R Universal Mount Sqr/Rnd pole 3"-6" WFM Wall Fixed Mount HTM Horizontal Tenon Mount				
	9L	9,000 lm									
	12L	12,000 lm									
	15L	15,000 lm									
SAM Skyline Medium	18L	18,000 lm									
	24L	24,000 lm									
	30L	30,000 lm									
	36L	36,000 lm									
	42L	42,000 lm									

FINISH		HSS		SML		CONTROLS OPTIONS								
						BASIC		ADVANCED						
BRZ Bronze	RALxxxx ⁸ Custom (xxxx= Custom RAL#)	BLANK None	HSS ² Rotatable House Side Shield	BLANK None	SMLxxxx Specified Lumen Output (xxxx= Lumen Output, Nearest Hundred)	BLANK None	CR3P 3-Pin NEMA Control receptacle CR7P ⁶ 7-Pin NEMA Control receptacle FSP311/LX ^{3,3} Legrand FSP-311 120/277V Sensor (X = Mounting Height, 3=10-20', 7=20-40') FSP321/LX ³ Legrand FSP-321 120-480V Sensor (X = Mounting Height 3=10-20',7=20-40') CR3P/FAO Universal 3-Pin control receptacle (See acc. for photocells) with Field Adjustable Output - 7 level selection connected to 0-10V dimming wires CR7P/FSP/Lx Universal 7-Pin control receptacle with FSP Sensor (X= Mounting Height, 3=20', 7=40') (Controls provided by others)	BLANK None	NURO ^{1,3} NUROAir Plug n Play Bluetooth Groupable Sensor SYN ⁵ Synapse Control System SYNS/LX ⁵ Synapse Control System w/ Sensor (X = Mounting Height 3=10-20'; 7=20-40')					
BLK Black		HSS ² Rotatable House Side Shield		BLANK None		SMLxxxx Specified Lumen Output (xxxx= Lumen Output, Nearest Hundred)		CR3P 3-Pin NEMA Control receptacle		CR7P ⁶ 7-Pin NEMA Control receptacle	BLANK None	NURO ^{1,3} NUROAir Plug n Play Bluetooth Groupable Sensor		
WHT White		HSS ² Rotatable House Side Shield		BLANK None		SMLxxxx Specified Lumen Output (xxxx= Lumen Output, Nearest Hundred)		FSP311/LX ^{3,3} Legrand FSP-311 120/277V Sensor (X = Mounting Height, 3=10-20', 7=20-40')		FSP321/LX ³ Legrand FSP-321 120-480V Sensor (X = Mounting Height 3=10-20',7=20-40')	CR3P 3-Pin NEMA Control receptacle	CR7P ⁶ 7-Pin NEMA Control receptacle	SYN ⁵ Synapse Control System	SYNS/LX ⁵ Synapse Control System w/ Sensor (X = Mounting Height 3=10-20'; 7=20-40')
SLV Silver		HSS ² Rotatable House Side Shield		BLANK None		SMLxxxx Specified Lumen Output (xxxx= Lumen Output, Nearest Hundred)		CR3P/FAO Universal 3-Pin control receptacle (See acc. for photocells) with Field Adjustable Output - 7 level selection connected to 0-10V dimming wires		CR7P/FSP/Lx Universal 7-Pin control receptacle with FSP Sensor (X= Mounting Height, 3=20', 7=40') (Controls provided by others)	BLANK None	NURO ^{1,3} NUROAir Plug n Play Bluetooth Groupable Sensor	SYN ⁵ Synapse Control System	SYNS/LX ⁵ Synapse Control System w/ Sensor (X = Mounting Height 3=10-20'; 7=20-40')
NAT Natural Aluminum		HSS ² Rotatable House Side Shield		BLANK None		SMLxxxx Specified Lumen Output (xxxx= Lumen Output, Nearest Hundred)		CR3P/FAO Universal 3-Pin control receptacle (See acc. for photocells) with Field Adjustable Output - 7 level selection connected to 0-10V dimming wires		CR7P/FSP/Lx Universal 7-Pin control receptacle with FSP Sensor (X= Mounting Height, 3=20', 7=40') (Controls provided by others)	BLANK None	NURO ^{1,3} NUROAir Plug n Play Bluetooth Groupable Sensor	SYN ⁵ Synapse Control System	SYNS/LX ⁵ Synapse Control System w/ Sensor (X = Mounting Height 3=10-20'; 7=20-40')

PROTECTION		WARRANTY		SHIP WITH ACCESSORIES			
BLANK None	SP1 ¹ 10kA Surge Protection Device SP2 ¹ 20kA Surge Protection Device SP1HV 10kA Max 480V Surge Protector SP2HV 20kA Max 480V Surge Protector FUSE/SXXX FUSE 120V, 277V, 347V (x= voltage) FUSE/DXXX FUSE 208V, 240V, 480V (x= voltage)	BLANK 5 Year	SAx/BIRD/yyy Bird Spikes (x= fixture size) (yyy=finish) SAx/GS/yyy ² Rotatable Glare Shield (x= fixture size) (yyy=finish) ILP PAINT CHIP PACK ^{yyy} ILP Standard Color Paint Chips (yyy=finish) TLSC ⁴ Twist Lock Shorting cap for use with CRxP Option (120V-480V) TL7/HVG ^{5,7} Synapse Twist Lock Mesh Network 120-480V TLPC/HV ⁴ 277-480V Twist Lock Photocell TLPC/UNV ^{1,4} 120-277V Twist Lock Photocell	BLANK None	SAx/BIRD/yyy Bird Spikes (x= fixture size) (yyy=finish) SAx/GS/yyy ² Rotatable Glare Shield (x= fixture size) (yyy=finish) ILP PAINT CHIP PACK ^{yyy} ILP Standard Color Paint Chips (yyy=finish) TLSC ⁴ Twist Lock Shorting cap for use with CRxP Option (120V-480V) TL7/HVG ^{5,7} Synapse Twist Lock Mesh Network 120-480V TLPC/HV ⁴ 277-480V Twist Lock Photocell TLPC/UNV ^{1,4} 120-277V Twist Lock Photocell		
SP1 ¹ 10kA Surge Protection Device		10YR ⁹ 10 Year		SAx/BIRD/yyy Bird Spikes (x= fixture size) (yyy=finish)		BLANK None	SAx/BIRD/yyy Bird Spikes (x= fixture size) (yyy=finish)
SP2 ¹ 20kA Surge Protection Device		10YR ⁹ 10 Year		SAx/GS/yyy ² Rotatable Glare Shield (x= fixture size) (yyy=finish)		BLANK None	SAx/GS/yyy ² Rotatable Glare Shield (x= fixture size) (yyy=finish)
SP1HV 10kA Max 480V Surge Protector		10YR ⁹ 10 Year		ILP PAINT CHIP PACK ^{yyy} ILP Standard Color Paint Chips (yyy=finish)		BLANK None	ILP PAINT CHIP PACK ^{yyy} ILP Standard Color Paint Chips (yyy=finish)
SP2HV 20kA Max 480V Surge Protector		10YR ⁹ 10 Year		TLSC ⁴ Twist Lock Shorting cap for use with CRxP Option (120V-480V)		BLANK None	TLSC ⁴ Twist Lock Shorting cap for use with CRxP Option (120V-480V)
FUSE/SXXX FUSE 120V, 277V, 347V (x= voltage)		10YR ⁹ 10 Year		TL7/HVG ^{5,7} Synapse Twist Lock Mesh Network 120-480V		BLANK None	TL7/HVG ^{5,7} Synapse Twist Lock Mesh Network 120-480V
FUSE/DXXX FUSE 208V, 240V, 480V (x= voltage)	10YR ⁹ 10 Year	TLPC/HV ⁴ 277-480V Twist Lock Photocell	BLANK None	TLPC/HV ⁴ 277-480V Twist Lock Photocell			
	10YR ⁹ 10 Year	TLPC/UNV ^{1,4} 120-277V Twist Lock Photocell	BLANK None	TLPC/UNV ^{1,4} 120-277V Twist Lock Photocell			

FOOTNOTES

¹ Not available with HV option

² Option Not DLC qualified

³ Requires Bluetooth Enabled device for programming (provided by others)

⁴ Only Compatible with CR3P and CR7P

⁵ Contact Factory for Site Layout, For HV models contact Factory for pricing.

⁶ Dimming Leads will be wired to receptacle unless otherwise specified

⁷ CR7P Required

⁸ Contact factory for pricing and availability

⁹ Requires additional Surge Protection (SP1, SP2, SP480V2);

For additional details see General Terms and Conditions.

Consult Factory for pricing



LED SYSTEMS INFO

LED SYSTEMS INFO		3000K		4000K		5000K		BUG Rating	Watts ²	Replaces
Part Numbers	Distribution	Lumens	Efficacy	Lumens	Efficacy	Lumens	Efficacy			
SAS-6L	2	6322	138.0	6655	145.3	6788	148.2	B1-U0-G1	46 W	175W MH
	3	6301	137.6	6633	144.8	6766	147.7	B1-U0-G2		
	4	6234	136.1	6562	143.3	6693	146.1	B1-U0-G1		
	5S	6345	138.5	6679	145.8	6813	148.7	B3-U0-G2		
	FTA	6824	149.0	7183	156.8	7327	160.0	B1-U0-G1		
SAS-9L	2	8941	127.9	9412	134.6	9600	137.3	B1-U0-G2	70 W	250W MH
	3	8912	127.5	9381	134.2	9569	136.9	B2-U0-G2		
	4	8817	126.1	9281	132.8	9467	135.4	B2-U0-G2		
	5S	8973	128.4	9445	135.1	9634	137.8	B4-U0-G2		
	FTA	9650	138.1	10158	145.3	10361	148.2	B1-U0-G1		
SAS-12L	2	12693	154.4	13361	162.5	13628	165.8	B2-U0-G2	82 W	320W MH
	3	12652	153.9	13318	162.0	13584	165.3	B2-U0-G2		
	4	12516	152.3	13175	160.3	13439	163.5	B2-U0-G2		
	5S	12739	155.0	13409	163.1	13677	166.4	B4-U0-G2		
	FTA	13700	166.7	14421	175.4	14709	178.9	B2-U0-G1		
SAS-15L	2	16013	148.1	16856	155.9	17193	159.0	B2-U0-G2	108 W	400W MH
	3	15962	147.7	16802	155.4	17138	158.5	B2-U0-G2		
	4	15791	146.1	16622	153.8	16954	156.8	B2-U0-G2		
	5S	16070	148.7	16916	156.5	17254	159.6	B4-U0-G2		
	FTA	17283	159.9	18193	168.3	18557	171.7	B2-U0-G1		
SAS-18L	2	18245	138.5	19205	145.8	19589	148.7	B3-U0-G2	132 W	400W MH
	3	18186	138.1	19143	145.4	19526	148.3	B3-U0-G3		
	4	17984	136.6	18931	143.7	19310	146.6	B3-U0-G3		
	5S	18310	139.0	19274	146.3	19659	149.3	B5-U0-G3		
	FTA	19692	149.5	20728	157.4	21143	160.5	B2-U0-G1		
SAM-24L	2	23494	142.4	24730	149.9	25225	152.9	B3-U0-G3	165 W	400W MH
	3	23373	141.7	24603	149.1	25095	152.1	B3-U0-G4		
	4	23203	140.6	24424	148.0	24912	151.0	B3-U0-G4		
	5S	23911	144.9	25169	152.5	25672	155.6	B5-U0-G3		
	FTA	23559	142.8	24799	150.3	25295	153.3	B2-U0-G2		
SAM-30L	2	30061	135.0	31643	142.1	32276	144.9	B3-U0-G3	222 W	750W MH
	3	29906	134.3	31480	141.4	32110	144.2	B3-U0-G4		
	4	29688	133.3	31251	140.3	31876	143.1	B3-U0-G4		
	5S	30594	137.4	32204	144.6	32848	147.5	B5-U0-G4		
	FTA	30144	135.4	31730	142.5	32365	145.3	B3-U0-G2		
SAM-36L	2	36547	153.6	38470	161.7	39239	164.9	B3-U0-G3	237 W	750W MH
	3	36357	152.8	38271	160.9	39036	164.1	B3-U0-G5		
	4	34913	146.8	36750	154.5	37485	157.6	B3-U0-G5		
	5S	35977	151.2	37871	159.2	38628	162.4	B5-U0-G4		
	FTA	35448	149.0	37314	156.8	38060	160.0	B3-U0-G2		
SAM-42L	2	39231	141.6	41296	149.0	42122	152.0	B4-U0-G3	277 W	1000W MH
	3	39099	141.1	41157	148.5	41980	151.5	B3-U0-G5		
	4	38885	140.3	40932	147.7	41751	150.7	B3-U0-G5		
	5S	39927	144.1	42028	151.7	42869	154.7	B5-U0-G4		
	FTA	39340	142.0	41410	149.4	42238	152.4	B3-U0-G2		
SAM-50L	2	48196	142.3	50732	149.8	51747	152.8	B4-U0-G4	338.6	1000W MH
	3	48033	141.9	50561	149.3	51573	152.3	B4-U0-G5		
	4	47771	141.1	50285	148.5	51291	151.5	B4-U0-G5		
	5S	49050	144.9	51631	152.5	52664	155.5	B5-U0-G5		
	FTA	48329	142.7	50872	150.2	51890	153.2	B3-U0-G3		

¹Values are nominal, see IES file for more detail ²Electrical data at 25C (77F). Actual wattage may differ by +/-10%.

*Please refer to the DLC Qualified Products List at www.Designlights.org/QPL to confirm specific product qualifications.




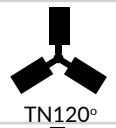




EPA RATINGS AND VIBRATION CHART

	SLPF		UMB		UAB		WFM		WAM		TRN		HTM		WEIGHT
SAS	0.53	1.5g	0.47	3g	0.53	3g	0.47	3g	0.53	3g	0.47	1.5g	0.47	3g	11 lbs
SAM	0.71	1.5g	0.64	3g	0.71	3g	0.64	3g	0.71	3g	0.64	1.5g	0.64	3g	22 lbs
WEIGHT	4.5 lbs		2.5 lbs		5.5 lbs		3.0 lbs		6.0 lbs		2.5 lbs		3.5 lbs		

*EPA Ratings listed assume fixture is mounted horizontally. For adjustable mounting options, EPA will vary with selected angle.

TILT DEGREE

TILT DEGREE		0°	30°	45°	TILT DEGREE		0°	30°	45°
 Single	SAS	0.47	1.32	1.72	 T90°	SAS	1.13	1.83	2.39
	SAM	0.64	2.49	3.32		SAM	1.54	3.46	4.61
 D180°	SAS	1.03	1.32	1.72	 TN120°	SAS	1.22	2.77	3.58
	SAM	1.41	2.49	3.32		SAM	1.66	5.23	6.91
 D90°	SAS	0.85	1.58	1.72	 Q90°	SAS	1.13	1.83	2.39
	SAM	1.15	2.99	3.32		SAM	1.54	3.46	4.61

*EPA for UMB, WFM, TRN, and HTM mounts

ELECTRICAL DATA (AMPS)

Lumen Package	120V	208V	240V	277V	347V	480V
6L	0.38 A	0.22 A	0.19 A	0.17 A	0.13 A	0.10 A
9L	0.58 A	0.34 A	0.29 A	0.25 A	0.20 A	0.15 A
12L	0.73 A	0.42 A	0.37 A	0.32 A	0.25 A	0.18 A
15L	0.92 A	0.53 A	0.46 A	0.40 A	0.32 A	0.23 A
18L	1.14 A	0.66 A	0.57 A	0.49 A	0.39 A	0.29 A
24L	1.39 A	0.80 A	0.70 A	0.60 A	0.48 A	0.35 A
30L	1.83 A	1.06 A	0.92 A	0.79 A	0.63 A	0.46 A
36L	1.96 A	1.13 A	0.98 A	0.85 A	0.68 A	0.49 A
42L	2.27 A	1.31 A	1.13 A	0.98 A	0.78 A	0.57 A
50L	2.82 A	1.63 A	1.41 A	1.22 A	0.98 A	0.71 A

¹Electrical data at 25C (77F). Actual wattage may differ by +/-10%.



FIELD ADJUSTABLE OUTPUT DATA (FAO)

Part Number	FAO Position	0	1	2	3	4	5	6	7
SAS-6L-U-40-T4	Input Power (W)	46	40	35	29	24	19	13	8
	Approx Lumens @3000K	6234	5421	4743	3930	3253	2575	1762	1084
	Approx Lumens @4000K	6562	5706	4993	4137	3424	2710	1854	1141
	Approx Lumens @5000K	6693	5820	5093	4220	3492	2765	1892	1164
SAS-9L-U-40-T4	Input Power (W)	70	61	52	44	35	27	19	10
	Approx Lumens @3000K	8817	7683	6550	5542	4409	3401	2393	1260
	Approx Lumens @4000K	9281	8088	6894	5834	4641	3580	2519	1326
	Approx Lumens @5000K	9467	8250	7033	5951	4734	3652	2570	1352
SAS-12L-U-40-T4	Input Power (W)	82	72	61	52	43	33	23	14
	Approx Lumens @3000K	12516	10990	9311	7937	6563	5037	3511	2137
	Approx Lumens @4000K	13175	11568	9801	8355	6909	5302	3695	2249
	Approx Lumens @5000K	13439	11800	9997	8522	7047	5408	3769	2294
SAS-15L-U-40-T4	Input Power (W)	108	95	82	70	57	44	31	18
	Approx Lumens @3000K	15791	13890	11989	10235	8334	6433	4533	2632
	Approx Lumens @4000K	16622	14621	12620	10774	8773	6772	4771	2770
	Approx Lumens @5000K	16954	14913	12872	10989	8948	6907	4866	2826
SAS-18L-U-40-T4	Input Power (W)	132	117	100	85	68	53	37	21
	Approx Lumens @3000K	17984	15940	13624	11581	9264	7221	5041	2861
	Approx Lumens @4000K	18931	16780	14342	12190	9752	7601	5306	3012
	Approx Lumens @5000K	19310	17116	14629	12434	9948	7753	5413	3072
SAM-24L-U-40-T4	Input Power (W)	165	142	123	104	84	64	44	25
	Approx Lumens @3000K	23203	19969	17297	14625	11812	9000	6187	3516
	Approx Lumens @4000K	24424	21019	18207	15395	12434	9474	6513	3701
	Approx Lumens @5000K	24912	21439	18571	15702	12682	9663	6643	3775
SAM-30L-U-40-T4	Input Power (W)	222	196	169	142	115	88	62	34
	Approx Lumens @3000K	29688	26211	22600	18990	15379	11768	8291	4547
	Approx Lumens @4000K	31251	27591	23790	19989	16189	12388	8728	4786
	Approx Lumens @5000K	31876	28143	24266	20389	16512	12636	8902	4882
SAM-36L-U-40-T4	Input Power (W)	237	210	182	154	126	99	71	42
	Approx Lumens @3000K	34913	30936	26811	22686	18561	14584	10459	6187
	Approx Lumens @4000K	36750	32563	28222	23880	19538	15351	11009	6513
	Approx Lumens @5000K	37485	33215	28786	24357	19929	15658	11230	6643
SAM-42L-U-40-T4	Input Power (W)	277	239	207	174	142	109	76	43
	Approx Lumens @3000K	38885	33551	29058	24426	19934	15301	10669	6036
	Approx Lumens @4000K	40932	35317	30588	25712	20983	16107	11230	6354
	Approx Lumens @5000K	41751	36023	31200	26226	21403	16429	11455	6481
SAM-50L-U-40-T4	Input Power (W)	339	292	253	213	174	133	93	53
	Approx Lumens @3000K	47771	41148	35652	30015	24520	18742	13105	7469
	Approx Lumens @4000K	50285	43313	37528	31595	25810	19728	13795	7862
	Approx Lumens @5000K	51291	44180	38279	32227	26326	20123	14071	8019

¹LED Chips are frequently updated therefore values are nominal ²Electrical data at 25°C (77°F) 277V. Actual wattage may differ by +/-10%.



CONTROLS OPTIONS

BASIC

FSP311/Lx - FSP321/Lx

Optional Bluetooth Programmable PIR sensor allows for Continuous Dimming, Motion and/ or daylight harvesting, Fully adjustable high/low dimmed light levels, and Adjustable time delay/ cutoff delay. The sensor is programmed via a free iOS® or Android® Sensor Configuration App (compatible device provided by others). Available in 10'-20' or 20'-40' mounting lenses. See coverage patterns below, L7=20'-40', L3=10'-20'.

Default Settings:

- High Mode: 100% Output
- Low Mode: 10% Output
- Time Delay: 5 mins
- Cutoff: 1 hr
- Sensitivity: High
- Photocell: Disabled
- Continuous Dimming: Disabled

FAO

Internal bi-level switch offers adjustable light levels for greater flexibility within one product. Utilizes 0-10V dimming wires and cannot be combined with other sensor or control options.

CRxP

3-Pin or 7-pin ANSI C136.41-2013 control receptacle option available for NEMA twist lock photocontrols or wireless control modules. Control accessories sold separately. Dimming leads from the receptacle will be connected to the driver dimming leads (Consult factory for alternate wiring). x = Number of pins (3 or 7).

ADVANCED

NUROAir by ILLUMUS

NURO

NUROAir Plug n Play Bluetooth Sensor is the optimal groupable controls lighting solution. With main features such as Plug and Play, PIR Motion Sensing, Occupancy/Vacancy and Photocell (BLK) - this flexibility makes the NUROAir Plug n Play Sensor ideal for tailoring lighting to specific space needs, optimizing both ambiance and efficiency. The NUROAir App, available for download on iOS and Google Play Store, offers a user-friendly interface for automatic or manual customization of your space. Through the app, users can configure sensor settings such as the Light Output, CCT, Hold Time, Standby Time/Level, High/Low End Trim, Background Light Level, Set Schedules, and Control Lighting Groups or Zones, all from a mobile or tablet device. Manual control is also available with a range of compatible wireless & wired wall switch options.



[Click Here or Scan Code to Learn More About](#)

NUROAir Bluetooth Controls

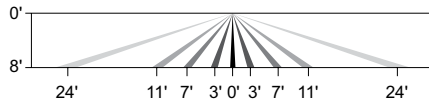
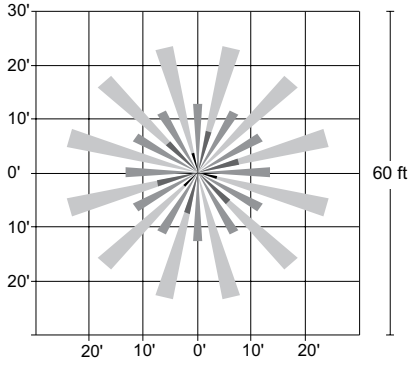
Synapse (SYN or TL7)

Utilizing a robust 2.4 GHz Self-Healing Mesh Network, Synapse provides flexibility and scalability making it a perfect outdoor solution for both new construction and retrofit projects. The easy-to-use web application is accessible on any device with an internet connection and allows for complete customization of the system and its features. Integral radio (SYN) includes (2) 24V inputs for a Wattstopper sensor or twist lock photocell into the wireless lighting system. External radio (TL7) includes (1) low voltage input for a Wattstopper sensor, available in 120-480V. Sensors available in 20' or 40' mounting lenses. See coverage patterns below. Sensor mounted on hinged driver cover. Antenna exits side of luminaire for maximum connectivity.

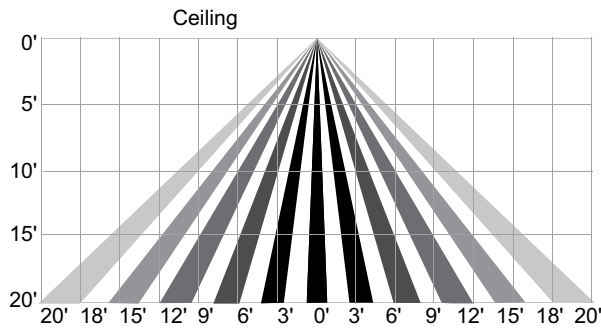
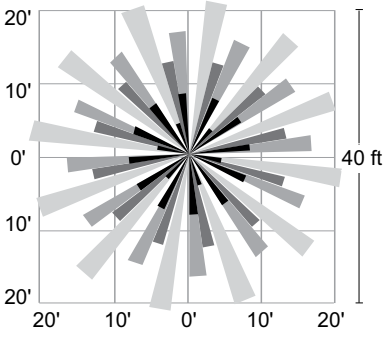


COVERAGE PATTERNS

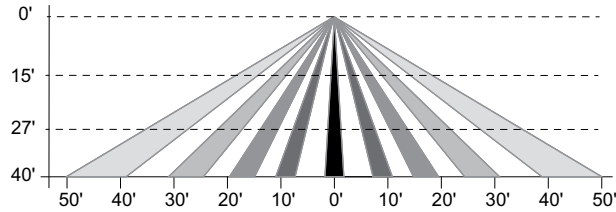
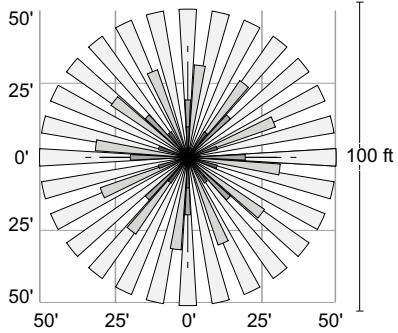
FSP-L2 Top and Side Coverage Patterns



FSP-L3 Top and Side Coverage Patterns



FSP-L7 Top and Side Coverage Patterns



BACK LIGHT CONTROL OPTIONS



HSS

Integral House Side Shield

Delivers backlight control that significantly reduces light spill behind the pole for applications with pole locations close to adjacent properties. Shown with Medium housing. HSS rotates with optic distribution.



GS

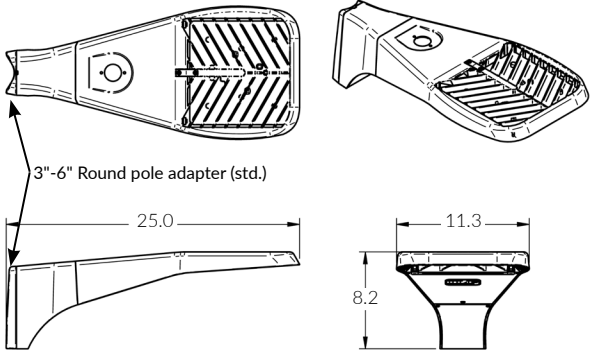
External Glare Shield

Rotatable 3-sided field installable external glare shield. Shown with Medium housing

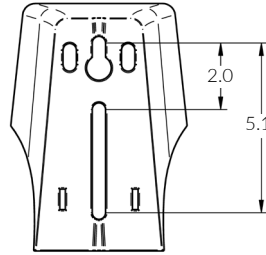


LINE DRAWINGS

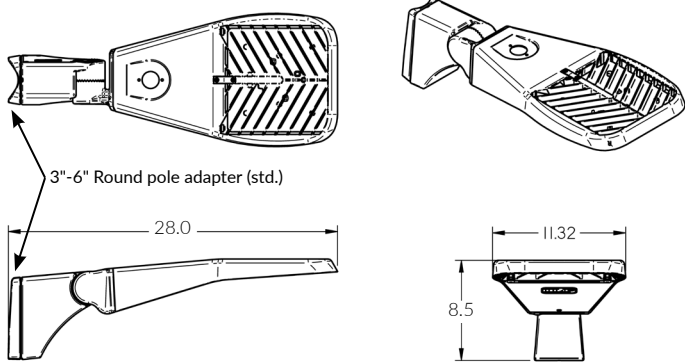
SAS Universal Mounting Bracket (UMB/R)



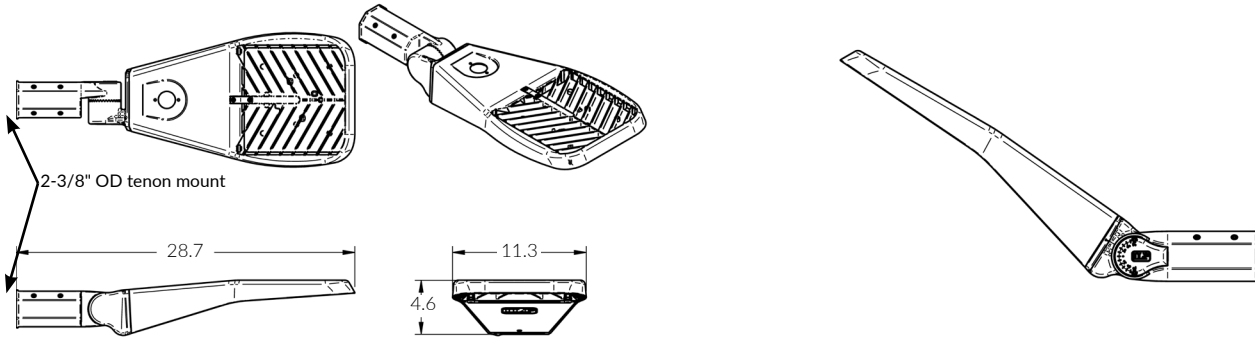
UMB/R, UAB/R Mounting Detail



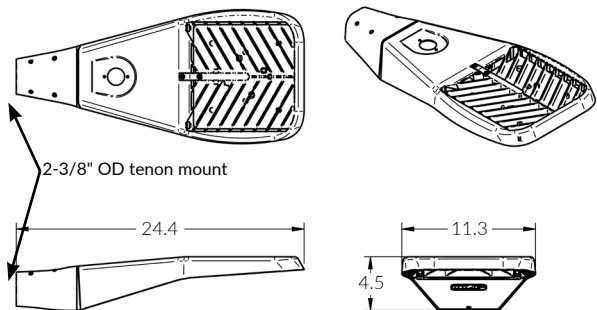
SAS Universal Adjustable Mount Bracket (UAB/R)



SAS Adjustable Slip Fitter (SLPF)



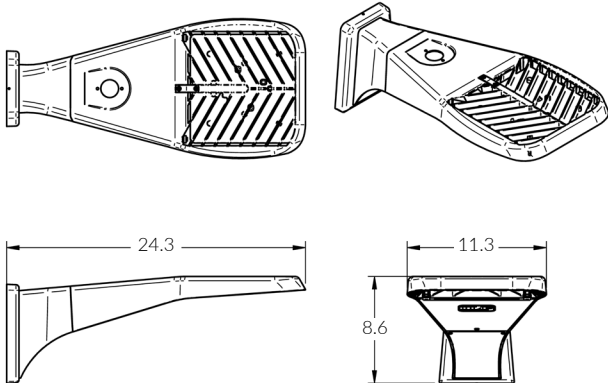
SAS Horizontal Tenon Mount (HTM)



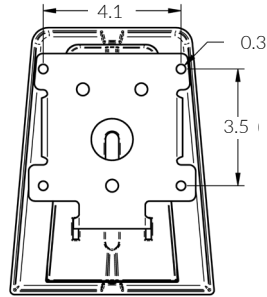


LINE DRAWINGS (Continued)

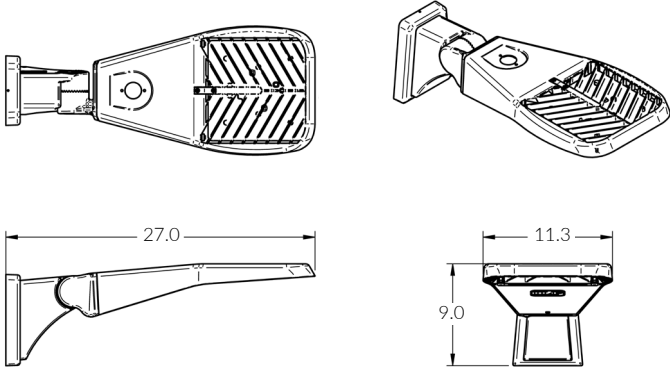
SAS Wall Fixed Mount (WFM)



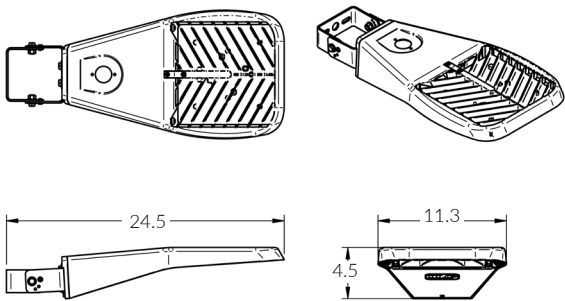
WFM/WAM Mounting Detail



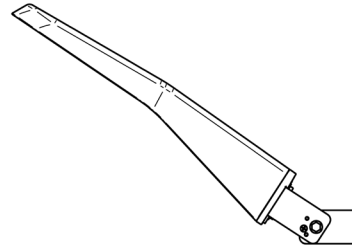
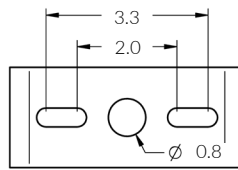
SAS Wall Adjustable Mount Bracket (WAM)



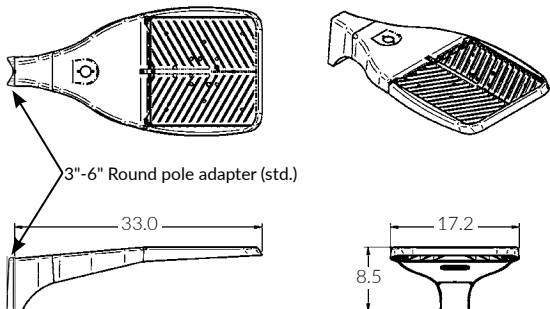
SAS Trunnion Mount (TRN)



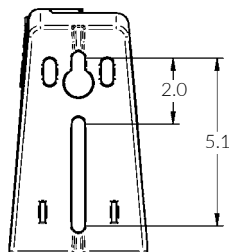
Trunnion Mounting Detail



SAM Universal Mounting Bracket (UMB/R)



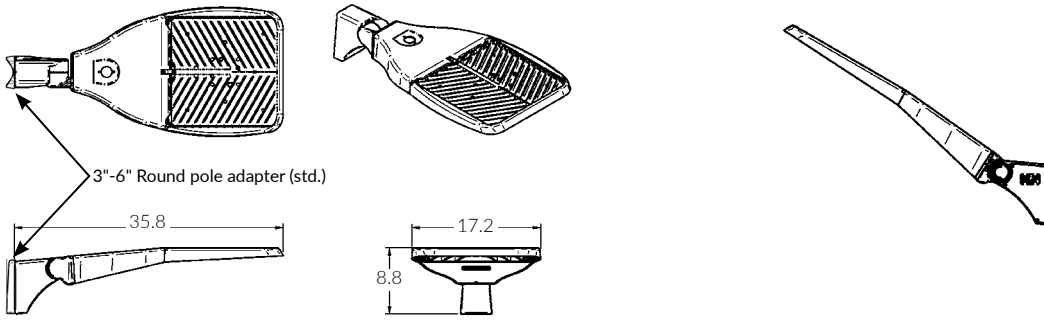
UMB/R, UAB/R Mounting Detail



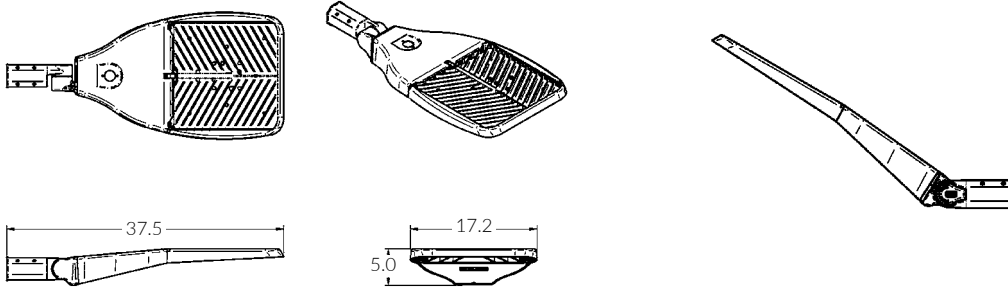


LINE DRAWINGS (Continued)

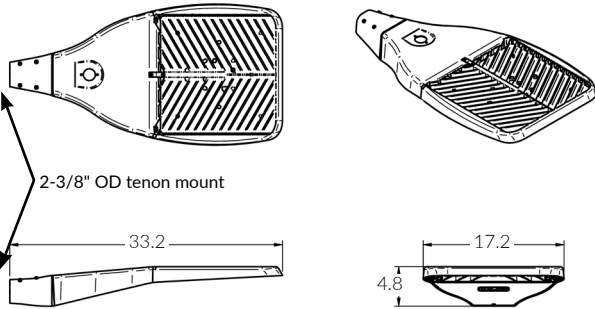
SAM Universal Adjustable Mount Bracket (UAB/R)



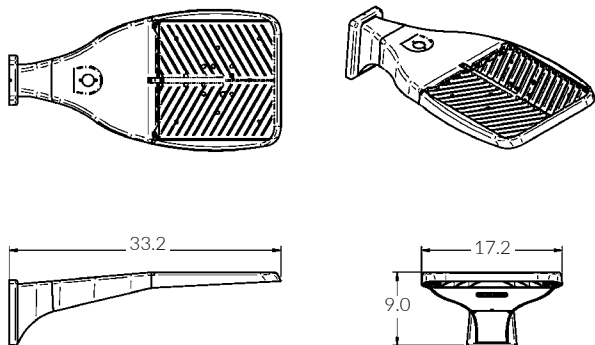
SAM Adjustable Slip Fitter (SLPF)



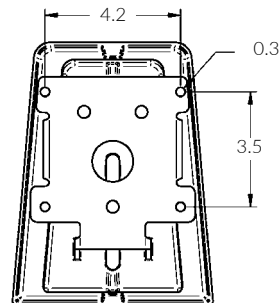
SAM Horizontal Tenon Mount (HTM)



SAM Wall Fixed Mount (WFM)



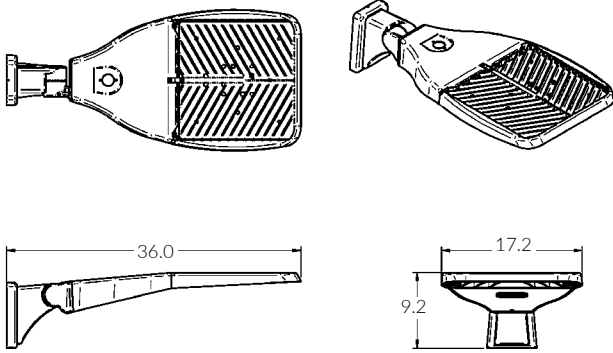
WFM/WAM Mounting Detail



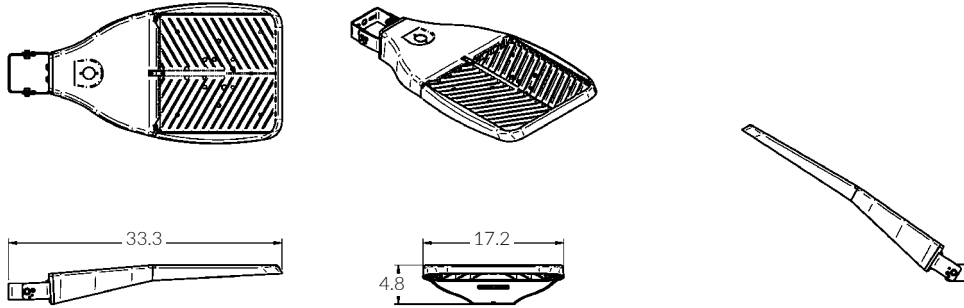


LINE DRAWINGS (Continued)

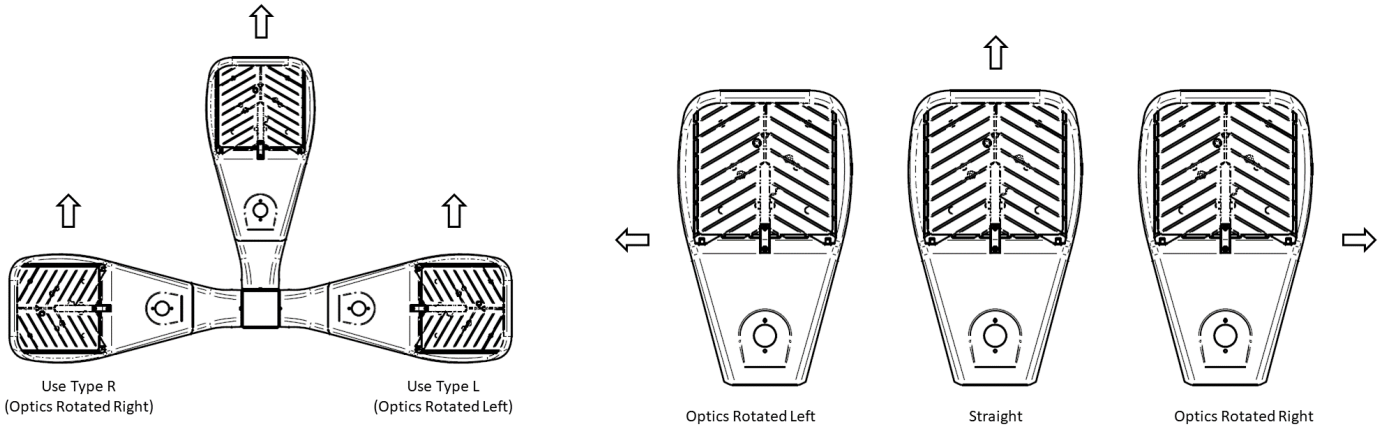
SAM Wall Adjustable Mount Bracket WAM



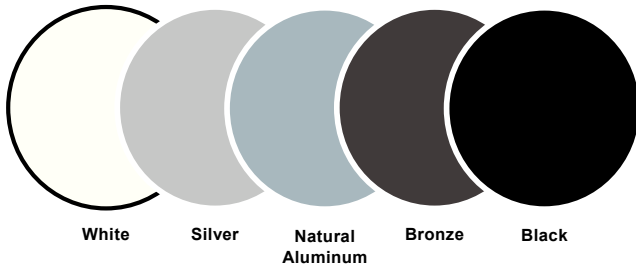
SAM Trunnion Mount (TRN)



OPTICS ORIENTATION



FACTORY SELECT FINISH GUIDE



COLOR NAME AND DESCRIPTION		PRICING
WHT	- ILP White	Standard
SLV	- ILP Silver	Standard
NAT	- ILP Natural Aluminum	Standard
BRZ	- ILP Bronze	Standard
BLK	- ILP Black	Standard

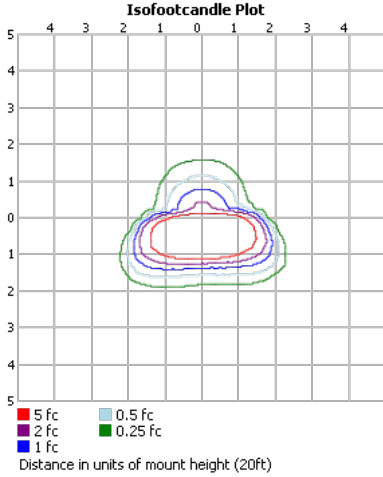
COLORS SHOWN ABOVE ARE TO BE USED AS REFERENCE, NOT EXACT MATCH. PLEASE REQUEST PAINT CHIPS FOR EXACT MATCH.



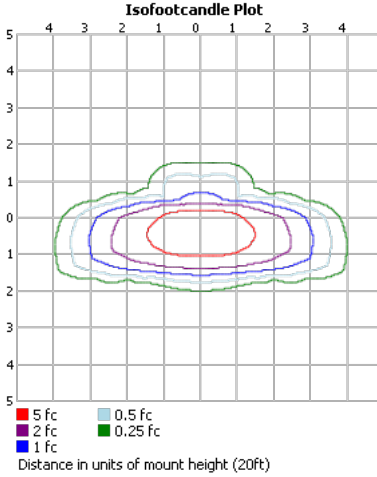
PHOTOMETRICS

Photometric values based upon tests performed in compliance with LM-79. IES files can be downloaded at www.ilp-inc.com

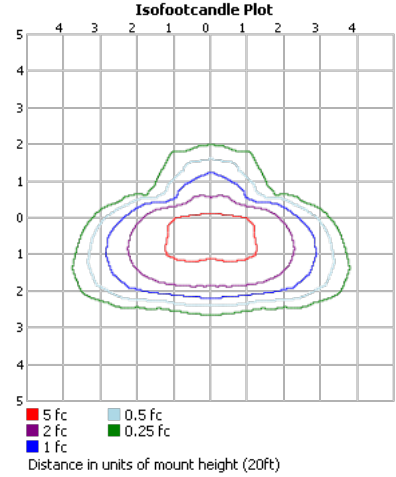
FTA



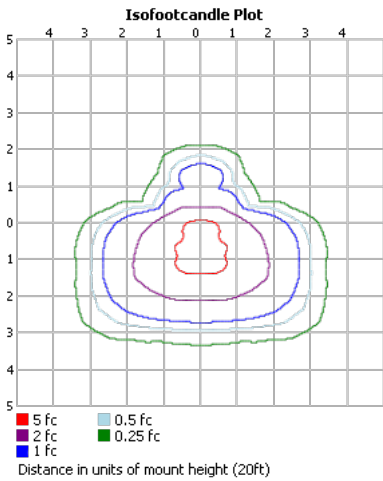
T2



T3



T4



T5S

