



PRODUCT  
OVERVIEW



SCAN OR  
CLICK HERE

## FEATURES

- Offers a sleek, low-profile design with adjustable Type IV distribution for precise outdoor lighting.
- Simplifies installation with a quick-mount bracket and multiple conduit access points.
- Provides flexible voltage options and 0-10V dimming for compatibility with diverse applications.
- Achieves code compliance with integrated PIR sensors and adjustable aiming for enhanced security.
- Ensures long-lasting durability with a die-cast aluminum housing and tempered glass lens.
- Features field-adjustable lumen output and selectable CCT for customizable performance.

## DIGITAL NAVIGATION

Explore the spec sheet through the links below

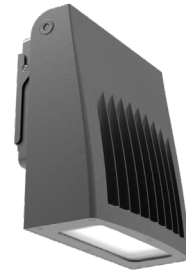
[ORDERING GUIDE](#)  
[CONTROLS](#)

[QUICK SHIP](#)  
[LINE DRAWINGS](#)

[LED SYSTEMS TABLE](#)  
[PHOTOMETRIC DATA](#)



Small Housing  
2L/3L/4L/5L



Large Housing  
5L/7L/8L/10L

## SUITABLE APPLICATIONS

- Pedestrian Walkways
- Building Entrances
- Multi-use Facilities
- Industrial Facilities
- Parking Lots
- Storage Facilities
- Schools
- Loading Docks

## CERTIFICATIONS



## SPECIFICATIONS

### CONSTRUCTION

Slim Wall Pack luminaire features a sleek low-profile die-cast aluminum housing with matching housing styles for both a small and medium size housings. Slim Wall Pack is protected with a durable Bronze polyester powder coat finish to withstand extreme weather changes without cracking or peeling (Consult factory for availability of alternate finishes). The Adjustable head pivots up to 90° to allow for more forward throw illumination. Universal quick mount bracket eliminates the need to drill through the luminaire housing ensuring reliable IP65 ingress protection and fast hands-free mounting via hanging mechanism. One-piece silicone gasket seals door and back box. A deep back box option is also available to accommodate direct conduit installation.

### ELECTRICAL

High-performance driver features over-voltage, under-voltage, short circuit and over temperature protection. 0-10V dimming (10% - 100%) standard. Standard Universal Voltage (120-277 Vac) Input 50/60 Hz. L70 >100,000 hrs. in accordance of IESNA TM-21-19 Projected values at 25°C Ambient temperature. Total harmonic distortion: <20%, PF >0.9. Input power stays constant over life. Minimum 4kV surge rating with additional 10kV and 20kV options. 120-277V 9W battery backup & 8W cold weather battery options provide 90 minutes of constant power to the LED system, ensuring code compliance.

### INSTALLATION

The Slim Wall Pack features a universal quick mount bracket, allowing for effortless installation to standard 3.5" to 4" round/octagonal, 4" square, single gang, masonry junction boxes or vertical surface mounting (secured by four lag bolts (supplied by others)). Side 1/2" NPT conduit entry points allow for surface-conduit or thru-branch wiring. Back box is an authorized electrical wiring compartment. Fixture leads exit the back of the casting through a poke-in water-tight grommet. Integral CCT selector and lumen selector allow for field tuning at installation, with four lumen outputs and three CCTs available per SKU.

### OPTICS

The isolated silicone sealed optical chamber utilizes a proprietary high-reflective white molded baffle. Optical assembly features an impact-resistant tempered glass lens and meets IESNA requirements for full cutoff compliance. CCT Selectable via integral switch in 3000K, 4000K, & 5000K color temperatures per ANSI C78.377. 5 Step McAdams Ellipse Binning. Minimum CRI of 80. The Adjustable head pivots up to 90° to allow for more forward throw illumination.

### THERMAL

The Slim Wall Pack features an array of High-efficacy mid-power LED's on a metal core circuit board. The LED board is mounted directly to a cast aluminum housing with heat dissipating fins to provide excellent thermal performance extending the life of electronic components. Operating Ambient Temperature: -40°C to +40°C (-40°F to 104°F) Operating temperature for standard battery backup: 0°C to +40°C (+32°F to +104°F), Cold Weather battery backup: -20°C to +35°C (-4°F to +95°F).

### CONTROLS

Three 1/2" NPT apertures allow for field or factory installed 120-277V universal electronic photocell. Optional PIR sensors available installed in added sensor housing. Sensors provide optional on/off control, photocell capability, bi-level dimming, and Bluetooth configuration allows for on-site modifications. (See page 4 for more information)

### CERTIFICATIONS

ETL Listed for wet locations to UL 1598 and UL 8750 standards. IP65 Rated per IEC 60598. Tested in accordance with IESNA LM-79 and LM-80 standards. RoHS Compliant. Title 24 Compliant; see local ordinance for qualification information.

### WARRANTY

5 Year Warranty Standard; 10 Year Warranty Optional ([Terms and Conditions apply](#)).

## ORDERING GUIDE

PART #

Example: SWP2-5L/7L/8L/10L-U-CCTS-BRZ-EM9

SERIES	LUMENS	DRIVER	CCT	DEEP BOX	FINISH	EMERGENCY
SWP2 Slim Wall Pack 2.0	<b>SMALL HOUSING</b> 2L/3L/4L/5L 2L 2,000 lm 3L 3,000 lm 4L 4,000 lm  <b>LARGE HOUSING</b> 5L/7L/8L/10L 5L 5,000 lm 7L 7,000 lm 8L 8,000 lm	U 120-277V	CCTS Selectable CCT (5000K, 4000K, 3000K)	<b>BLANK</b> None <b>DDC</b> <sup>1</sup> Deep Direct Conduit Box	<b>BRZ</b> Bronze <b>BLK</b> <sup>2</sup> Black <b>WHT</b> <sup>2</sup> White <b>SLV</b> <sup>2</sup> Silver <b>NAT</b> <sup>2</sup> Natural Aluminum <b>RALxxxx</b> <sup>2</sup> Custom	<b>BLANK</b> None <b>EM9</b> <sup>1</sup> 9W Battery Backup - CEC Compliant <b>EMCT8</b> <sup>1</sup> 8W Cold Temp Battery Backup - CEC Compliant

CONTROLS OPTIONS		PROTECTION	WARRANTY
BASIC	ADVANCED		
<b>BLANK</b> None <b>FSP311/Lx</b> <sup>3,7,8</sup> Bluetooth User Select Bi-Level Dim Occupancy Sensor; (x= Mounting height; 2=8', 3=20') <b>PCU</b> <sup>8</sup> Electronic 120-277V Pencil Photocell	<b>NURO</b> <sup>3,7,8</sup> NUROAir Plug n Play Bluetooth Groupable Sensor	<b>BLANK</b> 4kV Standard 120-277V Surge Protection <b>SP1</b> <sup>4</sup> 10kA Max 120-277V Surge Protection <b>SP2</b> <sup>4</sup> 20kA Max 120-277V Surge Protector	<b>BLANK</b> 5 Year <b>10YR</b> <sup>5,6</sup> 10 Year

SHIP WITH ACCESSORIES	
+SWP-BPS-xxx	18x9 Beauty Plate Kit, SWP2-2L/3L/4L/5L (xxx=BRZ, BLK, WHT, SLV, NAT, RALxxxx)
+SWP-BPL-xxx	18x9 Beauty Plate Kit, SWP2-5L/7L/8L/10L (xxx=BRZ, BLK, WHT, SLV, NAT, RALxxxx)

### FOOTNOTES

- <sup>1</sup> Large Housing only
- <sup>2</sup> Contact Factory for pricing and availability
- <sup>3</sup> Does not qualify for DLC
- <sup>4</sup> SP1/SP2 specified in combination with battery backups, separate surge protectors are required per electrical line
- <sup>5</sup> Contact Factory for more details
- <sup>6</sup> Requires additional surge protection (SP1,SP2); For additional details see general terms and conditions
- <sup>7</sup> Requires Bluetooth enabled device for programming (provided by others)
- <sup>8</sup> Only 1 allotted for controls options



### QUICK SHIP ITEMS:

PRODUCT	DESCRIPTION	UPC CODES
SWP2-2L/3L/4L/5L-U-CCTS-BRZ	Slim Wall Pack Small, 2L/3L/4L/5L Lumens	790492386873
SWP2-5L/7L/8L/10L-U-CCTS-BRZ	Slim Wallpack Large, 5L/7L/8L/10L Lumens	790492386880

### QUICK SHIP ACCESSORIES

- +SWP-BPS-BRZ KIT Beauty Plate kit for SWP2-2L/3L/4L/5L fixtures, powder coat Bronze
- +SWP-BPL-BRZ KIT Beauty Plate kit for SWP2-5L/7L/8L/10L fixtures, powder coat Bronze
- +PCU Electronic 120-277V Pencil Photocell



**LED SYSTEMS INFO**

LED SYSTEMS INFO <sup>1</sup>		3000K		4000K		5000K		Watts <sup>2</sup>
Part Numbers	Lumen Setting	Lumens	Efficacy	Lumens	Efficacy	Lumens	Efficacy	
SWP2-2L/3L/4L/5L-U-CCTS-BRZ	2L	2111	133	2248	147	2271	143	15
	3L	2800	132	2982	146	3013	142	20
	4L	3344	131	3561	145	3597	141	24
	5L	4137	130	4408	144	4453	140	30
SWP2-5L/7L/8L/10L-U-CCTS-BRZ	5L	5666	141	6086	148	5910	148	40
	7L	7047	140	7570	157	7352	148	50
	8L	8415	140	9040	157	8779	147	60
	10L	10412	138	11190	155	10864	146	75

<sup>1</sup>LED Chips are frequently updated therefore values are nominal  
<sup>2</sup>Electrical data at 25C (77F). Actual wattage may differ by +/-10%.

## CONTROLS OPTIONS

### BASIC

#### FSP311

Optional Bluetooth Programmable PIR sensor allows for Continuous Dimming, Motion and/or daylight harvesting. Fully adjustable high/low dimmed light levels, and Adjustable time delay/cutoff delay. The sensor is programmed via a free iOS® or Android® Sensor Configuration App (compatible device provided by others). Available in 8' or 20' mounting lenses. See coverage patterns below.

Default settings:

High Mode: 100% Output

Low Mode: 10% Output

Time Delay: 5 mins

Cutoff: 1 hr

Sensitivity: High

Photocell: Disabled

Continuous Dimming: Disabled



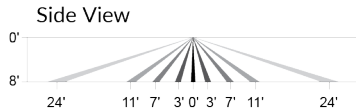
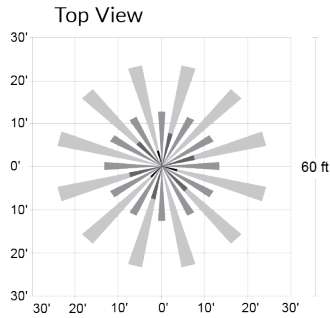
#### PCU

Three 1/2" apertures allow for field or factory installed 120-277V universal electronic pencil photocell.

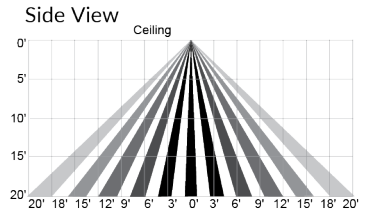
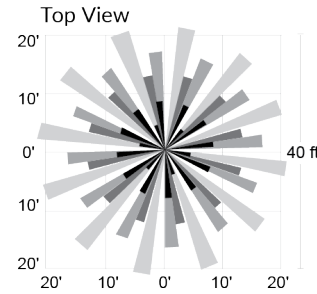


### COVERAGE PATTERNS

#### FSP311/L2



#### FSP311/L3



### ADVANCED

#### NUROAir by ILLUMUS

#### NURO

NUROAir Plug n Play Bluetooth Sensor is the optimal groupable controls lighting solution. With main features such as Plug and Play, PIR Motion Sensing, Occupancy/Vacancy and Photocell (BLK) - this flexibility makes the NUROAir Plug n Play Sensor ideal for tailoring lighting to specific space needs, optimizing both ambiance and efficiency. The NUROAir App, available for download on iOS and Google Play Store, offers a user-friendly interface for automatic or manual customization of your space. Through the app, users can configure sensor settings such as the Light Output, CCT, Hold Time, Standby Time/Level, High/Low End Trim, Background Light Level, Set Schedules, and Control Lighting Groups or Zones, all from a mobile or tablet device. Manual control is also available with a range of compatible wireless & wired wall switch options.



Click Here or Scan Code to Learn More About

NUROAir Bluetooth Controls

### FEATURES

#### Quick Mount Bracket



#### 90° Adjustable Type IV Distribution



#### Optional Beauty Plate

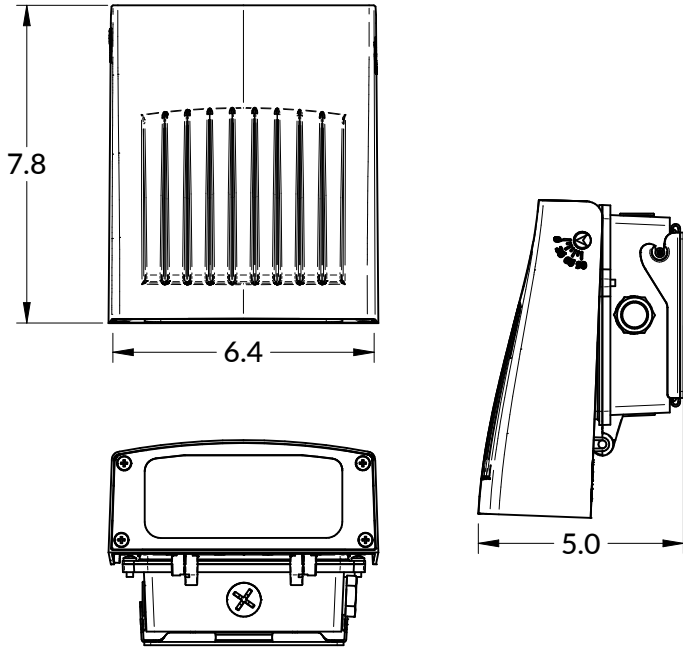


#### Optional Battery Pack

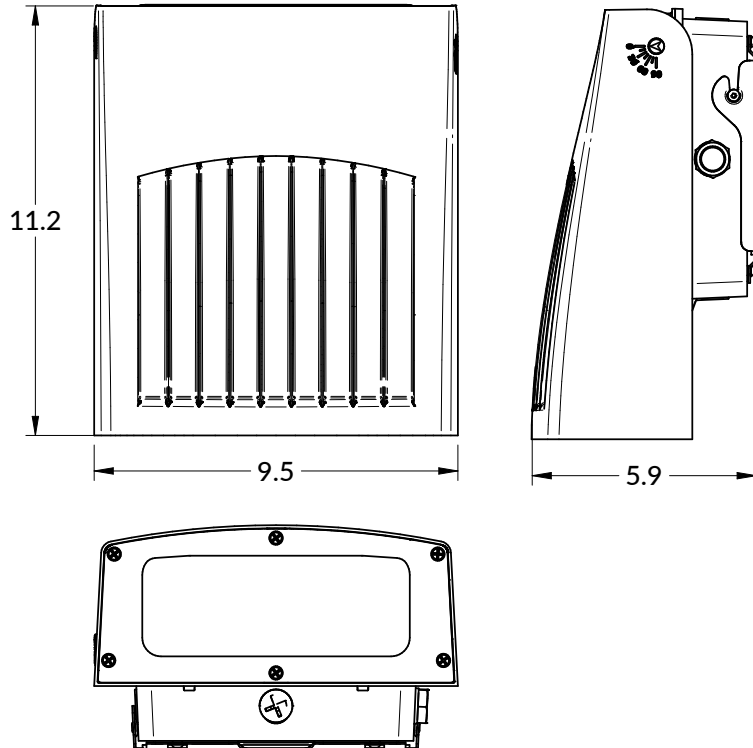


LINE DRAWINGS

SWP2-2L/3L/4L/5L

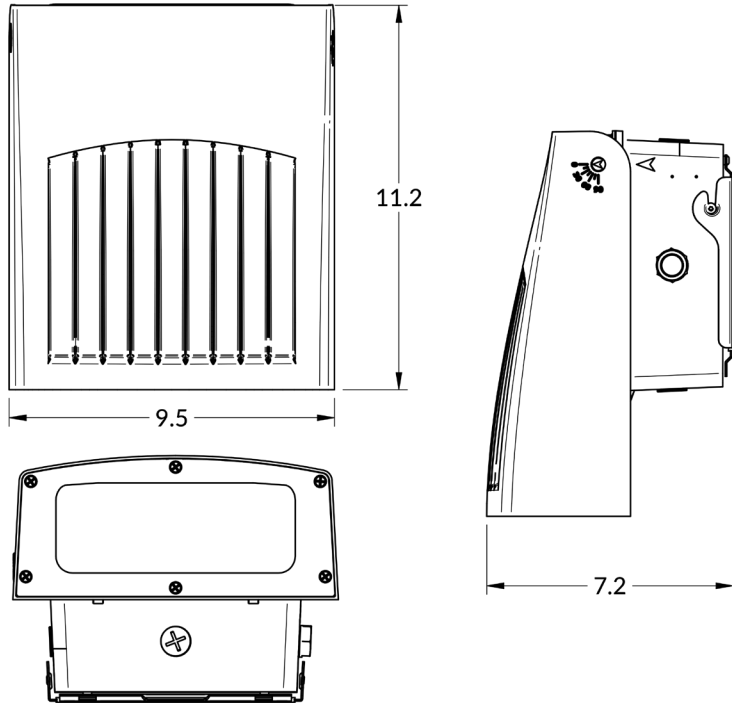


SWP2-5L/7L/8L/10L

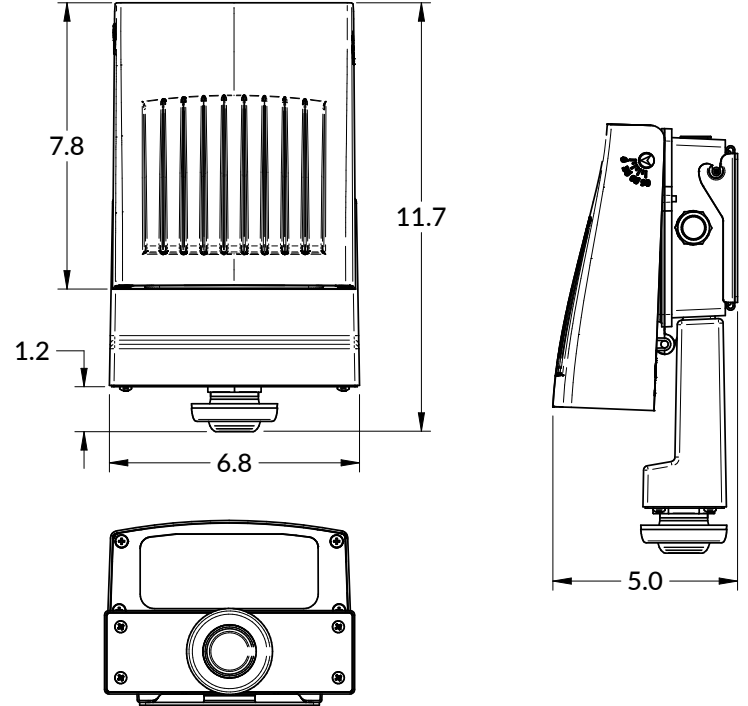


**LINE DRAWINGS**

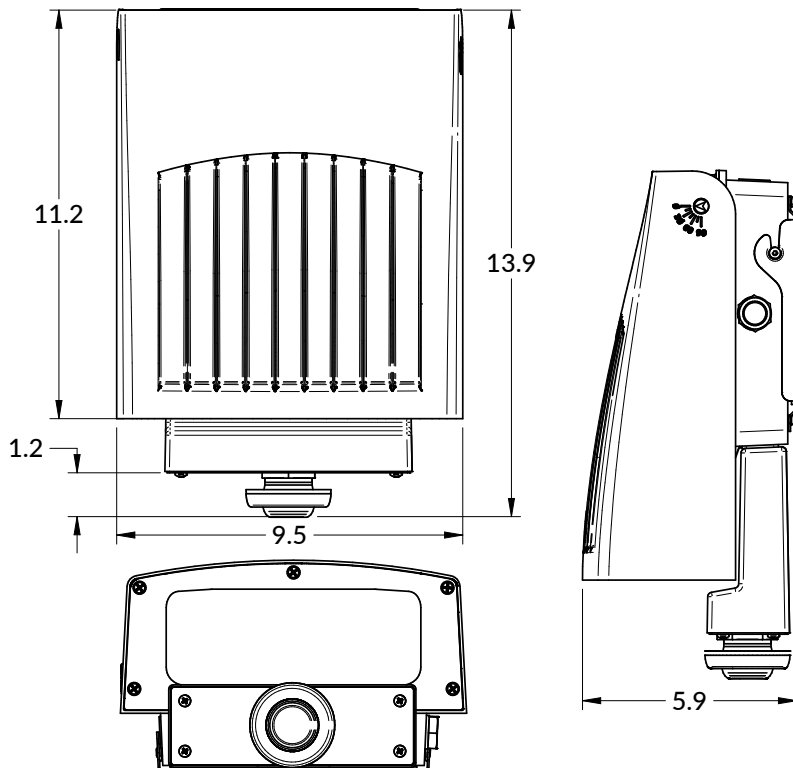
**SWP2-5L/7L/8L/10L with Battery Backup Deep Box**



**SWP2-2L/3L/4L/5L with Sensor Box**



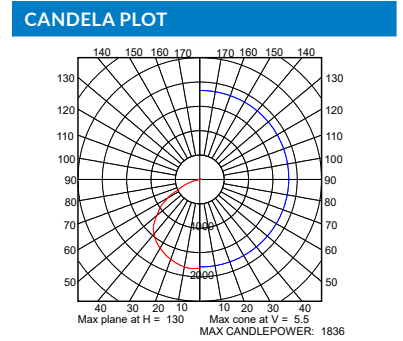
**SWP2-5L/7L/8L/10L with Sensor Box**



## PHOTOMETRIC DATA

LUMINAIRE DATA	
Part Number	SWP2-5L-U-40
Description	"Slim Wall Pack 2.0, 5000lm, 4000K"
Fixture Lumens (lm)	4,407 lm
Wattage (W)	30.69 W
Efficacy (lm/W)	144.0 lm/W
Mounting	Wall Mounted
Spacing Criteria	0° = 1.18, 90° = 1.32

ZONAL LUMEN SUMMARY		
Zone	Lumens (lm)	% Fixture
0° - 40°	2339	53%
0° - 60°	3878	88%
0° - 90°	4404	100%
90° - 180°	4	0%
0° - 180°	4408	100%



LUMINAIRE DATA	
Part Number	SWP2-10L-U-40-BRZ
Description	"Slim Wall Pack 2.0, 10000lm, 4000K"
Fixture Lumens (lm)	11,190 lm
Wattage (W)	72.18 W
Efficacy (lm/W)	155.0 lm/W
Mounting	Wall Mounted
Spacing Criteria	0° = 1.30, 90° = 1.32

ZONAL LUMEN SUMMARY		
Zone	Lumens (lm)	% Fixture
0° - 40°	5686	51%
0° - 60°	9693	87%
0° - 90°	11179	100%
90° - 180°	12	0%
0° - 180°	11190	100%

