



PRODUCT
OVERVIEW



SCAN OR
CLICK HERE

FEATURES

- Delivers powerful, efficient illumination with up to 179 lm/W and 24,000 lumens.
- Simplifies design and stocking with field-selectable CCT (3000K, 4000K, 5000K) and lumen output.
- Installs fast with spring-loaded clips designed for 12" and 16" deck panels, enabling quick one-person setup.
- Withstands harsh conditions with IP66-rated, corrosion-resistant construction.
- Offers symmetric (GCS) and asymmetric (PFT) optics for precise lighting coverage.
- Ensures reliability with integrated 6kV surge protection.
- Backed by a 5-year warranty and designed for 100,000+ hour performance.

DIGITAL NAVIGATION

Explore the spec sheet through the links below

[ORDERING GUIDE](#)

[QUICK SHIP](#)

[LED SYSTEMS TABLE](#)

[LINE DRAWINGS](#)

[PHOTOMETRIC DATA](#)

[CONTROLS](#)



Symmetric



Forward Throw

SUITABLE APPLICATIONS

- Petroleum/Gas Station • Convenience Store • C-Store • Soffit

CERTIFICATIONS



SPECIFICATIONS

CONSTRUCTION

The TPC features a low-profile die-cast aluminum housing with a sealed, flat tempered glass lens available in clear or diffused options. The housing and driver compartment are independently sealed to prevent moisture intrusion, achieving an IP66 rating suitable for wet locations and hose-down environments. A pressure-equalizing breather vent stabilizes internal pressure, protecting the integrity of the seals over time. The standard finish is white, applied with a durable polyester powder coat that resists corrosion, cracking, and peeling in harsh outdoor conditions.

ELECTRICAL

High-performance factory-programmable driver features over-voltage, under-voltage, short-circuit, and over-temperature protection. 0-10V dimming (10%-100%) standard. Universal Voltage (120-277 VAC) input, 50/60 Hz, with optional 277-480 VAC input available. Driver achieves a power factor >0.90 and total harmonic distortion <20%. Input power remains constant over the life of the driver. Integral 6kV surge protection meets ANSI/IEEE C62.41.2 Category C Low requirements, with optional field-replaceable 10kV/20kV protection available. L70 >100,000 reported per TM-21-11 in accordance with IESNA TM-21-19 projected values at 25°C ambient temperature.

INSTALLATION

Installs easily into 12" or 16" deck panels by a single person. Requires only a 4" opening for installation. Compatible with recessed canopy configurations. Includes silicone screw covers that conceal all mounting hardware for a clean appearance. Lumen & CCT selection within the driver housing provides configurability to match site-specific lighting requirements. Standard CCT is 5000K; Standard lumen output is the highest.

WARRANTY

5 Year Warranty Standard; 10 Year Warranty Optional ([Terms and Conditions apply](#)).

OPTICS

The TPC utilizes a precision LED optical system designed for uniform, glare-free illumination. It features high-efficiency, mid-power LEDs available in field-selectable color temperatures of 3000K, 4000K, and 5000K with 80+ CRI for accurate color rendering. Two optical distributions are available: a symmetric lens for even illumination directly beneath the canopy, and a forward throw polycarbonate (PFT) optic that projects light beyond the canopy edge, reducing the need for supplemental floodlighting. The forward throw design enhances visibility across drive lanes and fueling areas, optimizing site safety while maintaining energy efficiency.

CONTROLS

Optional factory installed Bluetooth microwave NUROAir sensor. Please see more information on page #3.

THERMAL

TPC features an array of High-efficacy LED's on a metal core circuit board. The LED board is mounted directly to a cast aluminum housing with heat dissipating fins to provide excellent thermal performance extending the life of electronic components. Operating Ambient Temperature: -40°C to +50°C (-40°F to 122°F).

CERTIFICATIONS

IP66 Rated per IEC 60598. Tested in accordance with IESNA LM-79 and LM-80 standards. RoHS Compliant. Title 24 Compliant; see local ordinance for qualification information.

ORDERING GUIDE

PART #

Example: TPC-14L/18L/22L-U-CCTS-GCS-WHT-SP1-10YR

SERIES	LUMENS	VOLTAGE	COLOR TEMP	DISTRIBUTION	FINISH
TPC Petroleum Canopy	14L/18L/22L - Lumen Selectable 14L 18L 4L/8L/12L - Lumen Selectable 4L 8L	U Universal Voltage (120-277V) HV High Voltage (277V-480V)	CCTS 3000K, 4000K, 5000K Selectable	GCS Glass Clear Symmetric PFT Polycarbonate Forward Throw	WHT White BLK Black

SPECIFIED MAX LUMEN	OPTIONS	PROTECTION	WARRANTY
BLANK None SMLxxx ^{1,6} Specified Lumen Output (xxxx=Lumen Output, Nearest Hundred)	ADVANCED BLANK None NURO ³ NUROAir Integrated Bluetooth Sensor	BLANK None SP1 ⁴ 10kA Max Univolt Surge Protection SP1HV 10kA Max 480V Surge Protector SP2 ⁴ 20kA Max Univolt Surge Protection SP2HV 20kA Max 480V Surge Protector	BLANK 5 Year 10YR ² 10 Year

SHIP WITH ACCESSORIES	
+TPC-BP12 ⁵	Backplate for 12" Decks with White Finish
+TPC-BP16 ⁵	Backplate for 16" Decks with White Finish
+TPC-BTP18	18" Beauty Plate with White Finish
+TPC-BTP26	26" Beauty Plate with White Finish
+TPC-BPxx/BLK	Backplate for "xx" decks, xx = 12" or 16" with Black Finish
+TPC-BTPxx/BLK	"xx" Beauty Plate, where xx= 18" or 26" with Black Finish

FOOTNOTES

¹Contact Factory for pricing and availability

⁶Loses control of dimming

²For additional details see General Terms and Conditions, consult factory for pricing

³Long lead time, contact factory

⁴Not available with HV

⁵Not compatible with beauty plates



QUICK SHIP ITEMS

PRODUCT	DESCRIPTION	UPC CODES
TPC-14L/18L/22L-U-CCTS-GCS-WHT	Petroleum Canopy, 14L/18L/22L Lumen Selectable, CCT Selectable, Symmetric GCS Optic, Clear Flat Lens, White Finish	
TPC-4L/8L/12L-U-CCTS-GCS-WHT	Petroleum Canopy, 4L/8L/12L Lumen Selectable, CCT Selectable, Symmetric GCS Optic, Clear Flat Lens, White Finish	

QUICK SHIP ACCESSORIES	
+TPC-BP12 ⁵	Backplate for 12" Decks with White Finish
+TPC-BP16 ⁵	Backplate for 16" Decks with White Finish
+TPC-BTP18	18" Beauty Plate with White Finish
+TPC-BTP26	26" Beauty Plate with White Finish

LED SYSTEMS INFORMATION

LED SYSTEMS INFO ¹		3000K		4000K		5000K		WATTAGE ²	DLC
Part Numbers	Lens	Lumens	Efficacy	Lumens	Efficacy	Lumens	Efficacy		
TPC-14L/18L/22L-U-CCTS	PFT	20178	145.2	21473	159.0	21610	155.1	138	Standard/Premium ³
	GCS	22280	159.9	23739	175.2	23854	170.7		
TPC-18L-U-CCTS	PFT	16709	149.1	17713	161.0	17971	159.1	113	
	GCS	18456	162.9	19592	176.2	19835	171.7		
TPC-14L-U-CCTS	PFT	12793	153.0	13418	163.9	13760	164.0	84	
	GCS	14131	167.9	14834	179.2	15194	176.7		
TPC-4L/8L/12L-U-CCTS	PFT	10719	143.8	11334	156.5	11532	154.5	74	Standard/Premium ³
	GCS	11634	156.5	12324	170.6	12574	168.5		
TPC-8L-U-CCTS	PFT	6894	151.7	7192	159.4	7431	160.4	46	
	GCS	7482	163.4	7825	172.6	8098	175.4		
TPC-4L-U-CCTS	PFT	3553	152.7	3621	155.5	3821	162.3	23	
	GCS	3851	164.4	3938	168.6	4165	176.4		

¹ Values are nominal, check IES file for more detail

² Electrical data at 25C (77F). Actual wattage may differ by +/-10%

³ Controls required for DLC Premium

ELECTRICAL DATA (AMPS)*

LUMEN PACKAGE	WATTAGE	120V	208V	240V	277V	347V	480V
TPC-22L	138	1.15	0.66	0.58	0.50	0.40	0.29
TPC-18L	113	0.94	0.54	0.47	0.41	0.33	0.24
TPC-14L	84	0.70	0.40	0.35	0.30	0.24	0.18
TPC-12L	74	0.62	0.36	0.31	0.27	0.21	0.15
TPC-8L	46	0.38	0.22	0.19	0.17	0.13	0.10
TPC-4L	23	0.19	0.11	0.10	0.08	0.07	0.05

*Electrical data at 25C (77F). Actual wattage may differ by +/-10%.

LUMEN MAINTENANCE¹

TPC-4L/8L/12L-U-CCTS					
AMBIENT TEMP °C	INITIAL ²	25K hr ²	50K hr ²	75K hr ²	100K hr ²
0	100.4%	95.1%	90.1%	85.4%	80.9%
10	100.4%	95.1%	90.1%	85.4%	80.9%
20	100.4%	95.1%	90.1%	85.4%	80.9%
25	100.4%	95.1%	90.1%	85.4%	80.9%
30	100.4%	95.1%	90.1%	85.4%	80.9%
40	100.4%	95.1%	90.1%	85.4%	80.9%
50	100.4%	95.1%	90.1%	85.4%	80.9%

TPC-14L/18L/22L-U-CCTS					
AMBIENT TEMP °C	INITIAL ²	25K hr ²	50K hr ²	75K hr ²	100K hr ²
0	100.4%	95.1%	90.1%	85.4%	80.9%
10	100.4%	95.1%	90.1%	85.4%	80.9%
20	100.4%	95.1%	90.1%	85.4%	80.9%
25	100.4%	95.1%	90.1%	85.4%	80.9%
30	100.4%	95.1%	90.1%	85.4%	80.9%
40	100.4%	93.8%	87.6%	81.9%	76.5%
50	100.4%	93.8%	87.6%	81.9%	76.5%

¹ Lumen maintenance values at 25°C are calculated per TM-21 based on LM-80 data and in-situ luminaire testing.

² In accordance with IESNA TM-21-11, Reported Values represent interpolated value based on time durations that are within six times (6X) the IESNA LM-80-08 total test duration (in hours) for the device under testing (DUT) i.e. the packaged LED).

ADVANCED CONTROLS OPTIONS

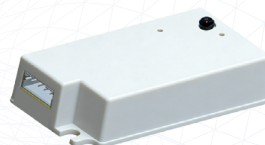
NUROAir by ILLUMUS

NURO

NUROAir Bluetooth Sensor with main features such as Occupancy/Vacancy and Daylight Harvesting. The NUROAir App, available for download on iOS and Google Play Store, offers a user-friendly interface for automatic or manual customization of your space. Through the app, users can configure sensor settings such as the Light Output, CCT, Hold Time, Standby Time/Level, High/Low End Trim, Background Light Level, Set Schedules, and Control Lighting Groups or Zones, all from a mobile or tablet device. Manual control is also available with a range of compatible wireless & wired wall switch options.



POWERED BY ILLUMUS, BRANDS

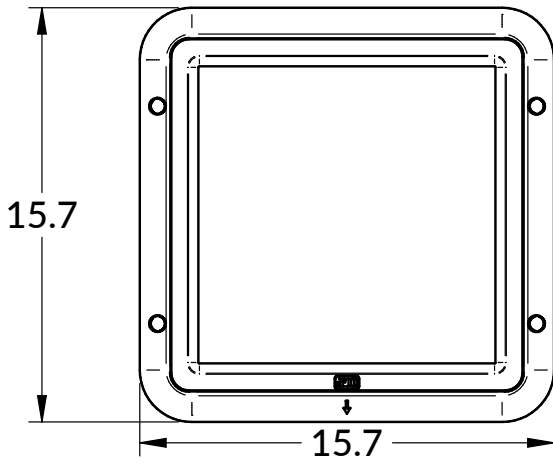
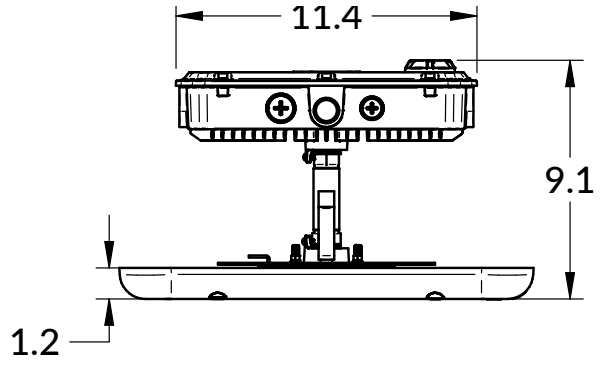
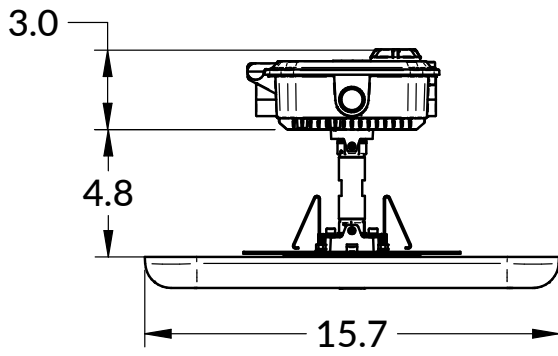


Click Here or Scan Code to Learn More About

NUROAir Bluetooth Controls

LINE DRAWINGS

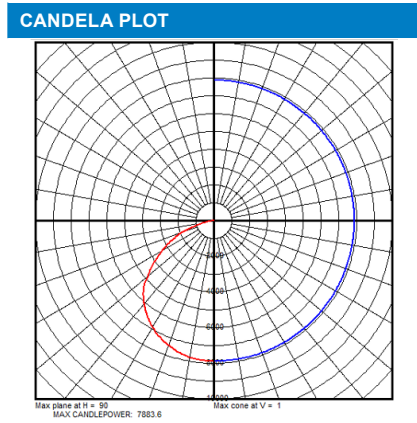
TPC



PHOTOMETRIC DATA

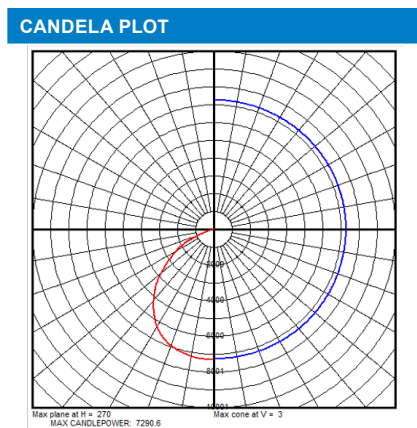
LUMINAIRE DATA	
Part Number	TPC-22L-U-CCTS-PFT-WHT
Description	TPC, 22,000lm, PFT optic
Fixture Lumens (lm)	20178 lm
Wattage (W)	139 W
Efficacy (lm/W)	145.2 lm/W
Spacing Criteria	0° = 1.44, 90° = 1.28

ZONAL LUMEN SUMMARY		
Zone	Lumens (lm)	% Fixture
0° - 40°	9,322	46%
0° - 60°	16,324	81%
0° - 90°	20,178	100%
90° - 180°	0	0%
0° - 180°	20,178	100%



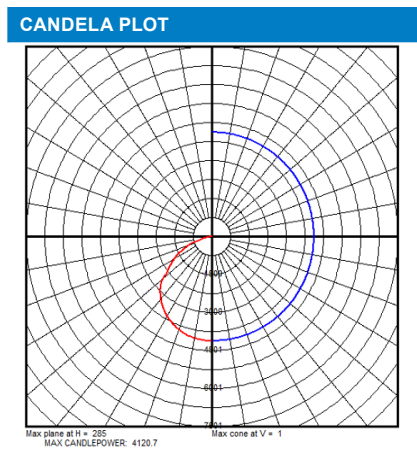
LUMINAIRE DATA	
Part Number	TPC-22L-U-CCTS-GCS-WHT
Description	TPC, 22,000lm, GCS symmetric optic
Fixture Lumens (lm)	22,280 lm
Wattage (W)	139.3 W
Efficacy (lm/W)	159.9 lm/W
Spacing Criteria	0° = 1.3, 90° = 1.3

ZONAL LUMEN SUMMARY		
Zone	Lumens (lm)	% Fixture
0° - 40°	10,293	46%
0° - 60°	18,381	83%
0° - 90°	22,280	100%
90° - 180°	0	0%
0° - 180°	22,280	100%



LUMINAIRE DATA	
Part Number	TPC-12L-U-CCTS-PFT-WHT
Description	TPC, 12,000lm, PFT optic, clear flat lens
Fixture Lumens (lm)	10,719 lm
Wattage (W)	74.5 W
Efficacy (lm/W)	143.8 lm/W
Spacing Criteria	0° = 1.46, 90° = 1.26

ZONAL LUMEN SUMMARY		
Zone	Lumens (lm)	% Fixture
0° - 40°	4,834	45%
0° - 60°	8,361	78%
0° - 90°	10,719	100%
90° - 180°	0	0%
0° - 180°	10,719	100%



LUMINAIRE DATA	
Part Number	TPC-12L-U-CCTS-GCS-WHT
Description	TPC, 12,000lm, CGS symmetric optic, clear flat lens
Fixture Lumens (lm)	11,634 lm
Wattage (W)	74.3 W
Efficacy (lm/W)	156.5 lm/W
Spacing Criteria	0° = 1.3, 90° = 1.3

ZONAL LUMEN SUMMARY		
Zone	Lumens (lm)	% Fixture
0° - 40°	5,363	46%
0° - 60°	9,575	82%
0° - 90°	11,634	100%
90° - 180°	0	0%
0° - 180°	11,634	100%

