



PRODUCT
OVERVIEW



SCAN OR
CLICK HERE

FEATURES

- Available in two sizes & 6 lumen outputs from 3,000 - 7,000
- Diffuse prismatic lens that reduces glare and optimizes the delivered light for maximum visual comfort
- Effectively covers unsightly existing HID installation footprints with additional beauty plates available
- Controls ready with 12V Aux Dim To Off Drivers standard
- Switchable CCT (30K/40K/50K) offers warm, cool, and daylight in a single fixture with >80 CRI
- IP65 Rated Die Cast Aluminum Housings install by surface mount, junction box, or pendant mount

DIGITAL NAVIGATION

Explore the spec sheet through the links below

[ORDERING GUIDE](#)

[QUICK SHIP](#)

[LED SYSTEMS TABLE](#)

[CONTROLS](#)

[LINE DRAWINGS](#)

[PHOTOMETRIC DATA](#)



VCS with Medium Distribution Lens



VCS with Wide Distribution Lens

SUITABLE APPLICATIONS

- Walkways
- Entrances
- Loading Docks
- Stairways
- Car Ports
- Parking Garages
- Building Perimeter/ Security Lighting

CERTIFICATIONS



SPECIFICATIONS

CONSTRUCTION

Viewpoint Canopy luminaires feature a rugged low-profile die-cast aluminum housing stocked in a durable Bronze or White polyester powder coat finish to withstand extreme weather changes without cracking or peeling (Alternate finishes available in wet paint over powder coat., consult factory). The UV stabilized and impact resistant polycarbonate lenses are designed to provide maximum rigidity and optical transmissions up to 92%. The lenses seal to the housing with a one-piece gasket creating an IP65 rating for maximum ingress protection.

ELECTRICAL

High-performance driver features over-voltage, under-voltage, short-circuit and over temperature protection. 0-10V dimming (10% - 100%) standard. Standard Universal Voltage (120-277 Vac) Input 50/60 Hz. L70 >100,000 hrs. in accordance of IESNA TM-21-11 Projected values at 25°C Ambient temperature. Total harmonic distortion: <20%. Power factor: >0.90. Input power stays constant over life. Minimum 4kV surge rating. See page 5 for 90 min remote EM box information. Lumen Selectability allows for ease of adjustment with integral switches, fixtures ship standard at the highest lumen output.

INSTALLATION

Viewpoint Canopy luminaires feature an integral quick surface mount bracket, eliminating the need to open the luminaire during installation to the Junction box or ceiling surface resulting in IP65 ingress protection that is effortless and secure. Multiple ½" conduit entry points allow for surface-conduit wiring. The Viewpoint Canopy can also be pendant mounted with ¾" pendant stems (provided by others). Fixture leads exit the back of the casting through a water-tight connector.

WARRANTY

5 Year Warranty Standard; 10 Year Warranty Optional ([Terms and Conditions apply](#)).

OPTICS

Ships standard with a diffuse prismatic lens that reduces glare and optimizes the delivered light for maximum visual comfort. Prismatic wide distribution lens are designed specifically to maximize fixture spacing for parking garage applications. Available in 3000K, 4000K, 5000K Selectable color temperatures (CCT) per ANSI C78.377. Standard CCT selection is set at 5000K.

THERMAL

Viewpoint Canopy features an array of High-efficacy LED's on a metal core circuit board. The LED board is mounted directly to a cast aluminum housing with heat dissipating fins to provide excellent thermal performance extending the life of electronic components. Operating Ambient Temperature: -40°C to +40°C (-40°F to 104°F). EM Model Operating Ambient Temperature: -0°C to +40°C (32°F to +104°F).

CONTROLS

Optional Photocell, Integral Microwave sensor, or drop nipple PIR sensors available; see page 4 for more details.

CERTIFICATIONS

ETL Listed for wet locations. IK rating is IK08. Title 24 Compliant with certain control options; see local ordinance for qualification information. Tested in accordance with IESNA LM-79 and LM-80 standards.



ORDERING GUIDE

PART #

Example: VCS-3L/5L/7L-U-CCTS-M-BRZ-EM9-MWS-SP1-C6/4W-10YR

SERIES	LUMENS	VOLTAGE	COLOR TEMP	LENS OPTION	FINISH
VCS Viewpoint Small Canopy	3L/5L/7L - Lumen Selectable 3L 5L 7L	U Universal Voltage (120-277v)	CCTS 3000K, 4000K, 5000K Selectable	M Medium Distribution W Wide Distribution	BRZ Bronze WHT ¹ White BLK ¹ Black SLV ¹ Silver NAT ¹ Natural Aluminum

EMERGENCY	CONTROLS	PROTECTION	CORD
BLANK None EM9 SideCar 9W Battery Backup CEC EM35/R ³ 35W Remote CEC	BASIC BLANK None MWS ² Microwave Sensor FSP311B/Lx Drop Nipple Bluetooth PIR Sensor Lx = Mounting Height, - L2 = 10'MH - L3 = 20'MH NURO NUROAir PIR Sensor PCU Universal Pencil Photocell	BLANK None SP1 10kA Max Univolt Surge Protection SP2 22kA Max Univolt Surge Protection FUSE/SXXX Single-line Voltage Fuse (120, 277) FUSE/DXXX Dual-line Voltage Fuse (208, 240)	BLANK None C6/3W 6Ft 3-Wire Cord C10/3W 10Ft 3-Wire Cord C6/4W 6FT 4-Wire Cord C10/4W 10FT 4-Wire Cord C6/5W ⁵ 6FT 5-Wire Cord C10/5W ⁵ 10FT 5-Wire Cord C6/6W ⁵ 6FT 6-Wire Cord C10/6W ⁵ 10FT 6-Wire Cord

WARRANTY
BLANK 5 Year 10YR ⁴ 10 Year

SHIP WITH ACCESSORIES
+PCU Universal Pencil Photocell +VC-BP14-XXX-KIT 14"x14" Beauty Plate Kit +VC-BP18-XXX-KIT 18"x18" Beauty Plate Kit +VCBOX-EM9 Side Car 9W Battery Backup Kit Bronze

FOOTNOTES

¹ Bronze/White finish standard. Consult factory for pricing & availability of other finishes; subject to longer lead-times

² Requires bluetooth enabled device for programming (provided by others)

³ Remote driver box included, see page 5 for more information

⁴ Contact Factory for more details

⁵ Not available with controls options



QUICK SHIP ITEMS

PRODUCT	DESCRIPTION	UPC CODES	DLC LISTING
VCS-3L/5L/7L-U-CCTS-M-BRZ	VCS, 3,000/5,000/7,000 Lumen Select, Diffuse Medium Lens, 30K/40K/50K Selectable, Bronze Finish	790492383124	Premium
VCS-3L/5L/7L-U-CCTS-M-WHT	VCS, 3,000/5,000/7,000 Lumen Select, Diffuse Medium Lens, 30K/40K/50K Selectable, White Finish	790492383131	Premium

QUICK SHIP ACCESSORIES

+PCU	Universal Button Photocell
+VC-BP14-XXX-KIT	14"x14" Beauty Plate Kit
+VCBOX-EM9	Side Car 9W Battery Backup Kit Bronze

FOOTNOTES

¹ Bronze/White finish standard. Consult factory for pricing & availability of other finishes; subject to longer lead-times

⁴ Contact Factory for more details

² Requires bluetooth enabled device for programming (provided by others)

⁵ Not available with controls options

³ Remote driver box included, see page 5 for more information

LED SYSTEMS INFORMATION

LED SYSTEMS INFO ¹			3000K		4000K		5000K		WATTAGE ²
Part Numbers	FIXED LUMEN OUTPUT	LENS	Lumens	Efficacy	Lumens	Efficacy	Lumens	Efficacy	
VCS	3L	M	3951	138	4485	159	4291	150	28
		W	3944	139	4411	161	4313	152	
	5L	M	5452	133	6189	153	5921	144	40
		W	5443	134	6087	155	5952	146	
	7L	M	7379	123	8377	142	7992	134	60
		W	7368	124	8238	144	8073	136	

¹ Values are nominal, check IES file for more detail

² Electrical data at 25C (77F). Actual wattage may differ by +/-10%

ELECTRICAL DATA (AMPS)*

SIZE	LUMEN OUTPUT	120V	208V	240V	277V
VCS	3L	0.23	0.13	0.12	0.10
	5L	0.33	0.19	0.17	0.14
	7L	0.50	0.29	0.25	0.22

*Electrical data at 25C (77F). Actual wattage may differ by +/-10%.



CONTROLS OPTIONS

NUROAir by ILLUMUS

NURO

NUROAir Plug n Play Bluetooth Sensor is the optimal groupable controls lighting solution. With main features such as Plug and Play, PIR Motion Sensing, Occupancy/Vacancy and Photocell (BLK) - this flexibility makes the NUROAir Plug n Play Sensor ideal for tailoring lighting to specific space needs, optimizing both ambiance and efficiency. The NUROAir App, available for download on iOS and Google Play Store, offers a user-friendly interface for automatic or manual customization of your space. Through the app, users can configure sensor settings such as the Light Output, CCT, Hold Time, Standby Time/Level, High/Low End Trim, Background Light Level, Set Schedules, and Control Lighting Groups or Zones, all from a mobile or tablet device. Manual control is also available with a range of compatible wireless & wired wall switch options.



POWERED BY ILLUMUS, BRANDS



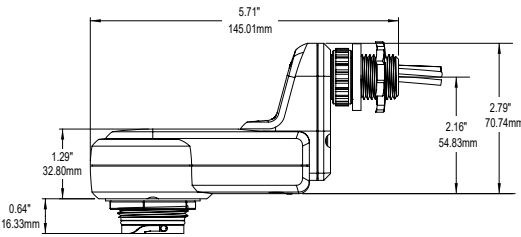
[Click Here or Scan Code to Learn More About](#)

NUROAir Bluetooth Controls

DROP NIPPLE SENSOR

FSP-311B

FSP-311 offers fully adjustable high and low dimmed light levels with optional photocell. Hold off setpoint with automatic calibration option. Adjustable time delay and cut off delay. Sensor adjustable programming via iOS® or Android® 'Sensor Configuration' App. Sensor mounted on center driver channel.



FACTORY DEFAULTS

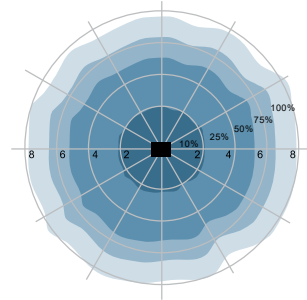
High Mode.....	10 V
Low Mode	1 V
Time Delay.....	5 min
Cut Off.....	1 hr
Sensitivity	High
Hold Off	Disabled
Ramp Up.....	Disabled
Fade Down.....	Disabled
Photocell Setpoint for On/Off.....	Disabled
Continuous Dimming.....	Disabled



MWS OCCUPANCY SENSOR

MWS

The integral microwave occupancy sensor activates switching of luminaire light levels. The microwave occupancy sensor is discretely installed behind the polycarbonate lens and is available for universal (120-277V) only. Standard Factory settings: High level light is activated and increased to full bright upon detection of motion. Low light level (10% maximum drive current) is activated when target zone is absent of motion activity for ~3 minutes. Detection Area: 100%, Standby Time: Disabled, Daylight Sensor: Disabled. See coverage diagram for detection cone. Consult Factory for alternate settings.



Ceiling mounting pattern (Unit: Ft)
Suggested installation height: 9 - 33ft

PCU

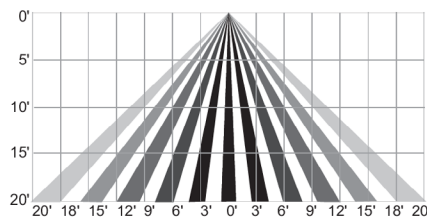
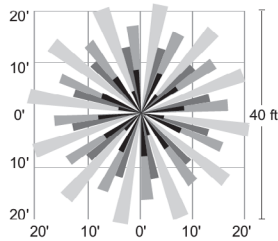
Three 1/2" apertures allow for field installed 120-277V universal electronic pencil photocell.



FSP-311/L3

Top View

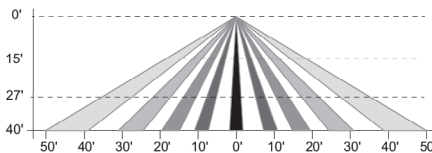
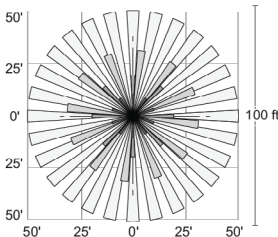
Side View



FSP-311/L7

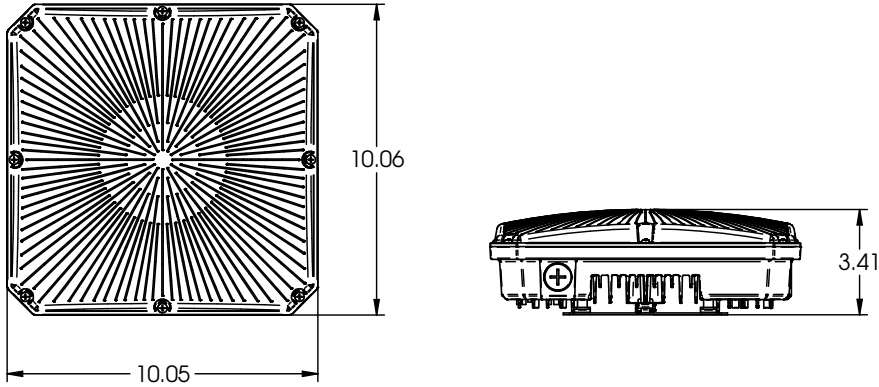
Top View

Side View

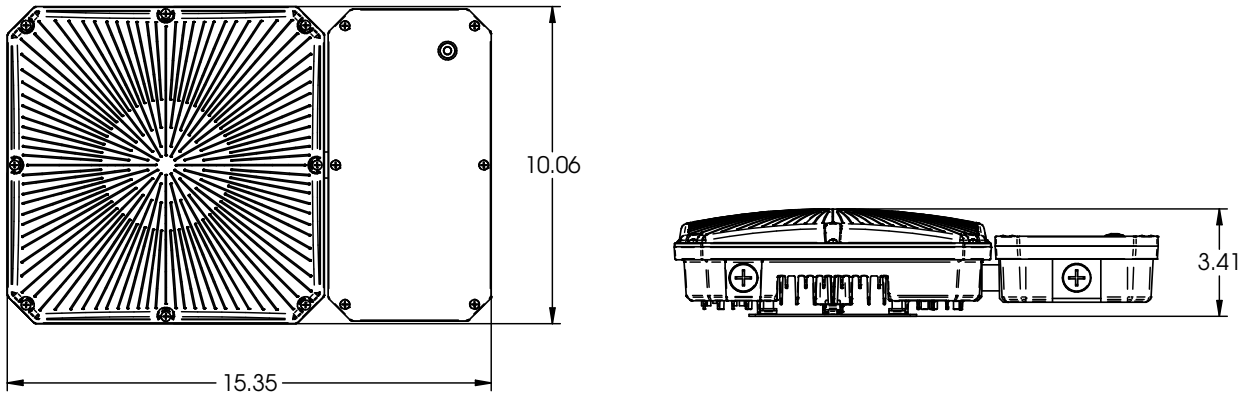


LINE DRAWINGS

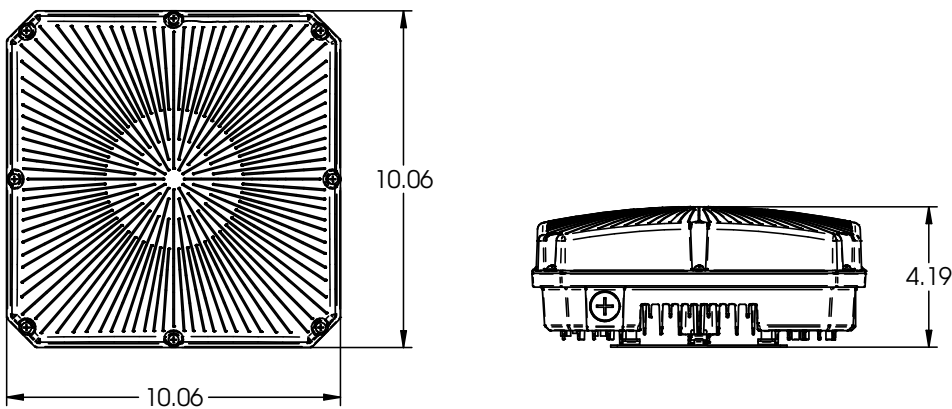
VCS DIFFUSE MEDIUM LENS



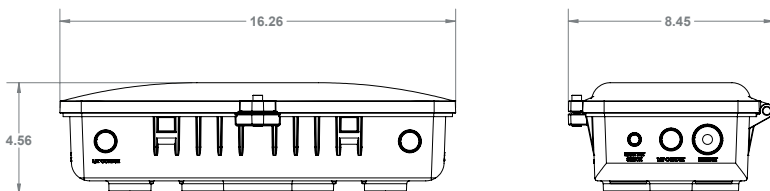
VCS DIFFUSE MEDIUM LENS WITH EM



VCS PARKING GARAGE WIDE LENS



REMOTE DRIVER BOX



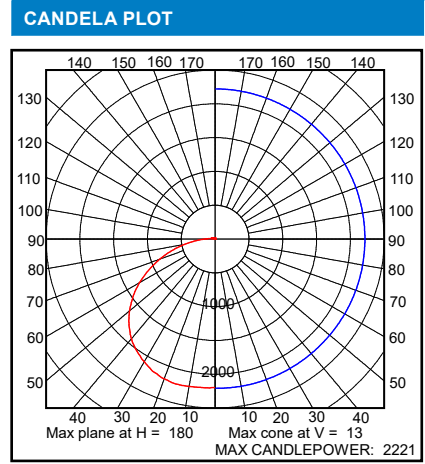
Only available in surface mount; Box must mount near the luminaire. The remote box is provided with a 3' conductor power cord, and a 3' liquid tight flexible conduit connects the remote box to the luminaire. Power will be ran to the remote box and will pass to the Canopy through the side knockouts.



PHOTOMETRIC DATA

LUMINAIRE DATA	
Part Number	VCS-3L/5L/7L-U-CCTS-M
Description	Viewpoint Canopy Small, 7000lm, 5000K, Medium Distribution
Fixture Lumens (lm)	7,992 lm
Wattage (W)	59.7 W
Efficacy (lm/W)	134 lm/W
Mounting	Surface

ZONAL LUMEN SUMMARY		
Zone	Lumens (lm)	% Fixture
0° - 40°	3,089	39%
0° - 60°	5,773	72%
0° - 90°	7,811	98%
90° - 180°	181	2%
0° - 180°	7,992	100%



LUMINAIRE DATA	
Part Number	VCS-3L/5L/7L-U-CCTS-W
Description	Viewpoint Canopy Small, 7000lm, 5000K, Wide Distribution
Fixture Lumens (lm)	8,072 lm
Wattage (W)	59.5 W
Efficacy (lm/W)	136 lm/W
Mounting	Surface

ZONAL LUMEN SUMMARY		
Zone	Lumens (lm)	% Fixture
0° - 40°	1,997	25%
0° - 60°	4,545	56%
0° - 90°	7,541	93%
90° - 180°	531	7%
0° - 180°	8,072	100%

