



PRODUCT  
OVERVIEW



SCAN OR  
CLICK HERE

## FEATURES

- Simplifies installation with a quick mounting options and consolidates SKUs with selectors for CCT, lumen output, distribution, and photocell in a single fixture.
- Provides field-selectable CCT at 3000K, 4000K, or 5000K to align with site requirements.
- Enables field-selectable lumen output to tune light levels per location while preserving a consistent site appearance and energy targets.
- Offers electronic distribution selection across three ANSI patterns to set the beam spread on site without swapping optics.
- Withstands tough environments with an IP65-rated die-cast aluminum housing and a sealed tempered glass lens with a durable bronze powder coat finish.

## DIGITAL NAVIGATION

Explore the spec sheet through the links below

[ORDERING GUIDE](#)

[LED SYSTEMS TABLE](#)

[EPA DATA](#)

[LINE DRAWINGS](#)

[PHOTOMETRIC DATA](#)



## SUITABLE APPLICATIONS

- Site Lighting
- Landscape
- Wall Wash
- Spot & Flood Light
- Flag Pole
- Signage
- Elevation Illumination

## CERTIFICATIONS



SYNAPSE



## SPECIFICATIONS

### CONSTRUCTION

The VF2.0 Flood Series features a slim profile die-cast aluminum housing available in 2 different sizes for a fully scalable solution. The low-profile die-cast aluminum housings are provided with a durable bronze polyester powder coat finish tailored to withstand extreme weather changes without cracking or peeling (Optional ILP White (WHT), Black (BLK), Silver (SLV) or Natural Aluminum (NAT) wet paint finishes available; Consult factory for alternate finishes). The driver cover seals to the housing with a one-piece silicone gaskets creating an IP65 rating for maximum ingress protection. Salt Spray tested for 500 hrs.

### OPTICS

The isolated IP65 rated silicone gasket sealed optical chamber utilizes impact resistant and a tempered glass lens that provides mechanical selectable ANSI 5x5, 6x6, & 7x6 distributions selectable via knockout switches for easy site modification. CCT selectable via an integral CCT selector dipswitch (3000K, 4000K, & 5000K per ANSI C78.377 standard & ≤5 SDCM). Consult factory for availability of alternate CCTs. Minimum CRI of 80. Optional visor accessory is available for additional cut-off.

### ELECTRICAL

High-performance driver features over-voltage, under-voltage, short circuit and over temperature protection. 0-10V dimming (10% - 100%) standard. Standard Universal Voltage (120-277 Vac) Input 50/60 Hz or optional High Voltage (277-480 Vac). L70 >100,000 hrs. in accordance of IESNA TM-21-11 Projected values at 25°C Ambient temperature. Total harmonic distortion: 0.90. Input power stays constant over life. Minimum 10kV surge rating meets a minimum Category C Low operation (per ANSI/IEEE C62.41.2). Additional protection is available in 10kV and 20kV options. Lumen Selectable with 3 different lumen output configurations per SKU. Factory default to highest lumen output.

### THERMAL

The VF Flood Series features an array of High-efficacy midpower LED's on a metal core board. The LED board is mounted directly to a cast aluminum housing with heat dissipating fins to provide excellent thermal performance extending the life of electronic components. Operating Ambient Temperature: -40°C to +50°C (-40°F to 122°F).

### INSTALLATION

A fully adjustable Trunnion (TRN), Adjustable Slip fitter (SLPF) to mount to any vertical or horizontal tenon 2" pipe (2-3/8" OD), adjustable wall mount bracket (WMB), Adjustable Surface Conduit Box (SMB) or adjustable pole mounting bracket (PMB), see table on page 2 for mounting, compatibility and vibration ratings. 3' 600V power cord(s) provided standard with 5 conductors for 0-10V dimming (10-100%).

### CONTROLS

Factory installed 3-Pin & 7-Pin ANSI C136.41 Control Receptacle Options available. Twist lock photocells sold separately (See accessories).

### CERTIFICATIONS

ETL Listed for wet locations. Tested in accordance with IESNA LM-79 and LM-80 standards. IP65 rated Luminaire per IEC 60598.

### WARRANTY

5 Year Warranty Standard; 10 Year Warranty Optional ([Terms and Conditions apply](#)). See Website for more details. <https://www.ilp-inc.com/documents/>



## ORDERING GUIDE

PART #

Example: VFL2-18L-U-CCTS-DS-TRN-BRZ-CR3-SP2-C6/5W

SERIES	LUMENS	DRIVER	CCT	DISTRIBUTION	MOUNTING	FINISH
<b>VFL2</b> Viewpoint Flood Large 2.0	<b>16L/18L/22L</b> 16L 16,000 lm 18L 18,000 lm	<b>U</b> 120-277V <b>HV</b> 277-480V	<b>CCTS</b> Selectable CCT (3000K, 4000K, 5000K)	<b>DS</b> Distribution Selectable: 5H5V, 6H6V, 7H6V	<b>TRN</b> Trunion/Yoke Mount <i>*See Accessories for alternate mounting</i>	<b>BRZ</b> Bronze <b>BLK<sup>1</sup></b> Black <b>WHT<sup>1</sup></b> White <b>SLV<sup>1</sup></b> Silver <b>NAT<sup>1</sup></b> Natural Aluminum
<b>VFX2</b> Viewpoint Flood XL 2.0	<b>32L/36L/45L</b> 32L 32,000 lm 36L 36,000 lm					

CONTROLS	PROTECTION	WIRING	WARRANTY
<b>BLANK</b> None <b>CR3</b> 3-Pin NEMA Receptacle <b>CR7<sup>3</sup></b> 7-Pin NEMA Receptacle	<b>BLANK</b> None <b>SP2<sup>2</sup></b> 20kA Surge Protection Device <b>SP1HV</b> 10kA MAX 480V Surge Protection Device <b>SP2HV</b> 20kA Max 480V Surge Protector <b>FUSE/SXXX</b> FUSE 120V, 277V, 347V (x= voltage) <b>FUSE/DXXX</b> FUSE 208V, 240V, 480V (x= voltage)	<b>Blank</b> None <b>C6/5W</b> 6ft 5 Wire cord with 3 leads attached to power and 2 leads attached to dimming <b>C10/5W</b> 10ft 5 Wire cord with 3 leads attached to power and 2 leads attached to dimming	<b>BLANK</b> 5 Year <b>10YR<sup>6</sup></b> 10 Year

SHIP WITH ACCESSORIES	
<b>VF/PMB/xxx</b>	Pole Mount Bracket with Round Pole Adapter (xxx=Finish)
<b>VF/SLPF/xxx</b>	2-3/8" Adjustable Slip Fitter (xxx=Finish)
<b>VF/WMB/xxx</b>	Adjustable Wall Mount Bracket (xxx=Finish)
<b>VF/SMB/xxx</b>	Surface Wall Mount Box with junction (xxx=Finish)
<b>TLPC/UNIV<sup>2</sup></b>	3-Pin Photocell for use with CR3P option (120V-277V)
<b>TLPC/HV</b>	3-Pin Photocell for use with CR3P option (347V-480V)
<b>TL7/HVG<sup>5</sup></b>	Synapse 7-Pin Mesh Network Option (120V-480V)
<b>JP275</b>	Twist Lock Shorting cap for use with CRxP Option (120V-480V)
<b>+VFL2/VISOR/xxx</b>	Visor for Large ViewPoint Flood Light 2nd Gen
<b>+VFX2/VISOR/xxx</b>	Visor for Extra Large ViewPoint Flood Light 2nd Gen



## QUICK SHIP ITEMS

PRODUCT	DESCRIPTION	UPC CODE
VFL2-16L/18L/22L-U-CCTS-DS-TRN-BRZ	Trunion/Yoke Mount Flood, 15,800-18,360-22,500 Lumens, 3K/4K/5K CCT Selectable, Bronze Finish	790492388440
VFX2-32L/36L/45L-U-CCTS-DS-TRN-BRZ	Trunion/Yoke Mount Flood, 31,600-36,720-45,000 Lumens, 3K/4K/5K CCT Selectable, Bronze Finish	790492388457

QUICK SHIP ACCESSORIES	
<b>VF/PMB/xxx</b>	Pole Mount Bracket with Round Pole Adapter (xxx=Finish)
<b>VF/SLPF/xxx</b>	2-3/8" Adjustable Slip Fitter (xxx=Finish)
<b>VF/WMB/xxx</b>	Adjustable Wall Mount Bracket (xxx=Finish)
<b>VF/SMB/xxx</b>	Surface Wall Mount Box with junction (xxx=Finish)
<b>TLPC/UNIV</b>	3-Pin Photocell for use with CR3P option (120V-277V)
<b>TLPC/HV<sup>4</sup></b>	3-Pin Photocell for use with CR3P option (347V-480V)
<b>JP275</b>	Twist Lock Shorting cap for use with CRxP Option (120V-480V)
<b>+VFL2/VISOR/xxx</b>	Visor for Large ViewPoint Flood Light 2nd Gen (xxx=Finish)
<b>+VFX2/VISOR/xxx</b>	Visor for Extra Large ViewPoint Flood Light 2nd Gen (xxx=Finish)

## FOOTNOTES

<sup>1</sup> Bronze finish standard, Consult factory for pricing & availability of other finishes; subject to longer lead-times

<sup>2</sup> Not Available with HV Option

<sup>3</sup> Only compatible with CR3 or CR7

<sup>4</sup> Dimming leads will be wired to receptacle unless otherwise specified

<sup>5</sup> CR7 Required, Consult factory for site layout

<sup>6</sup> Requires additional surge protection (SP1, SP2, SP1HV, SP2HV); For additional details see general terms and conditions



## LED SYSTEMS INFO

LED SYSTEMS INFO <sup>1</sup>		5H5V			6H6V		7H6V		Watts <sup>2</sup>
Part Numbers	Fixed Lumen Output	CCT	Lumens	Efficacy	Lumens	Efficacy	Lumens	Efficacy	
VFL2	16L	3000K	15000	151.5	16000	161.5	15500	156.3	100W
		4000K	15673	160.2	16718	170.8	16195	165.3	
		5000K	15349	151.8	16372	161.8	15860	156.7	
	18L	3000K	17760	150.2	18360	155.2	17760	150.0	120W
		4000K	18556	158.9	19183	164.1	18556	158.7	
		5000K	18173	150.5	18787	155.5	18173	150.3	
	22L	3000K	21995	148.8	22760	153.9	22115	149.4	150W
		4000K	22979	157.4	23885	163.6	23209	158.8	
		5000K	22504	149.1	23267	154.5	22304	147.6	
VFX2	32L	3000K	30000	149.4	32000	158.8	31000	154.6	200W
		4000K	31149	158.7	33225	168.7	32187	164.3	
		5000K	30926	151.7	32988	161.3	31957	157.1	
	36L	3000K	35520	148.1	36720	152.6	35520	148.3	240W
		4000K	36880	157.4	38126	162.2	36880	157.7	
		5000K	36617	150.5	37854	155.0	36617	150.7	
	45L	3000K	43950	146.6	45631	151.7	43988	147.0	300W
		4000K	45635	155.8	46981	160.5	46021	156.1	
		5000K	45308	148.9	46170	152.3	45941	150.0	

<sup>1</sup> Values are nominal, see IES file for more detail

<sup>2</sup> Electrical data at 25C (77F). Actual wattage may differ by +/-10%.

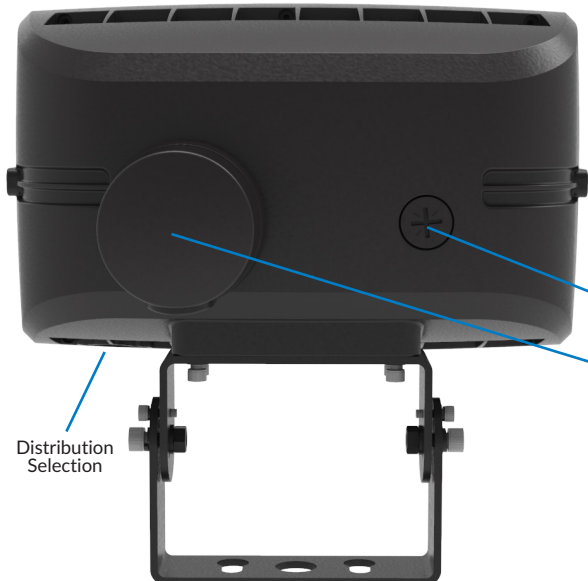
## ELECTRICAL DATA (AMPS)\*

SIZE	LUMEN OUTPUT	120V	208V	240V	277V
VFL2	16L	0.83	0.48	0.42	0.36
	18L	1.00	0.58	0.50	0.43
	22L	1.25	0.72	0.63	0.54
VFX2	32L	1.67	0.96	0.83	0.72
	36L	2.00	1.15	1.00	0.87
	45L	2.50	1.44	1.25	1.08

\*Electrical data at 25C (77F). Actual wattage may differ by +/-10%.

## EPA DATA

	TRN(YM)		PMB(DM)		SLFT(AM)		WMB		WEIGHT (LBS)	
VFL2	0.36	3G	0.15	3G	0.43	3G	N/A	3G	9.08	without TRN
VFX2	0.57	3G	0.17	3G	0.64	3G	N/A	3G	16.44	without TRN



### FACTORY SETTINGS

Distribution: 6H6V  
Lumen Output: High  
CCT: 4000K  
Power Switch: Highest Lumen Setting

Power and CCT Switches

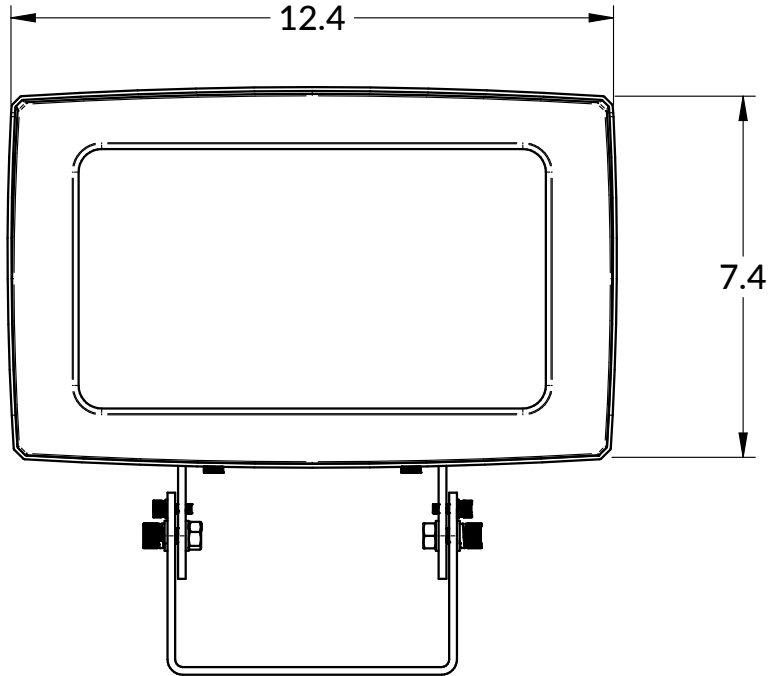
Optional Photocell

Distribution Selection

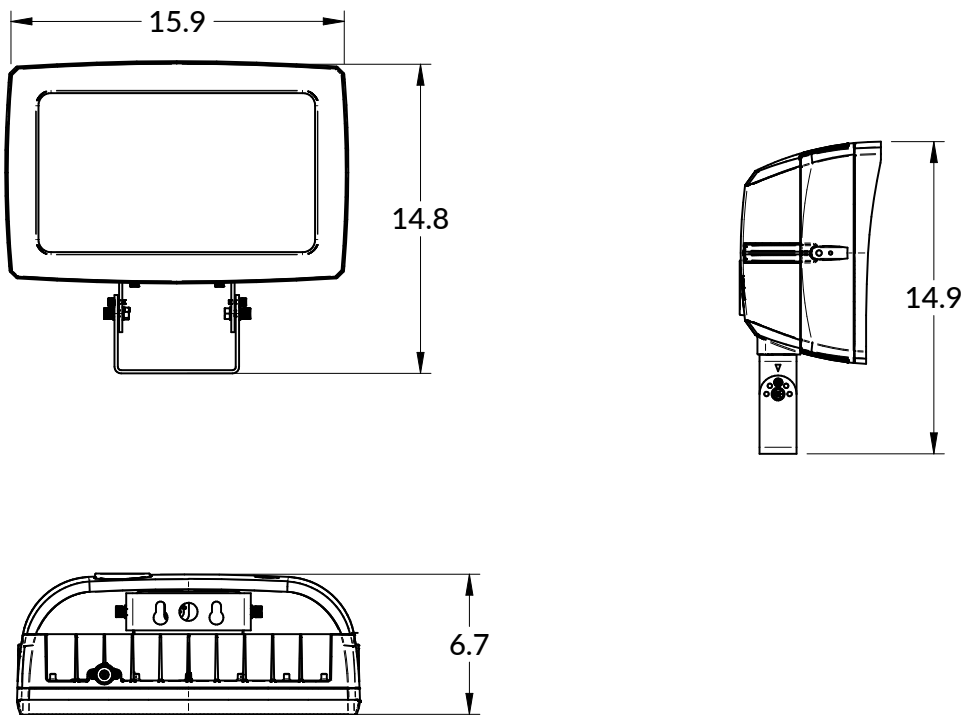


## LINE DRAWINGS

VFL2-TRN



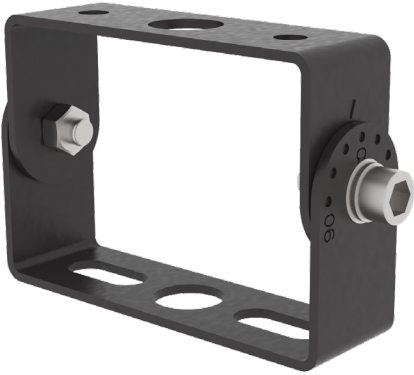
VFX2-TRN



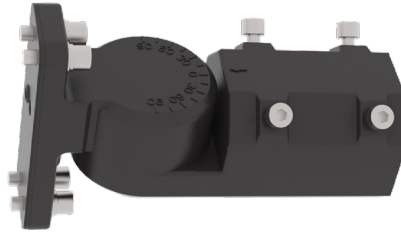


## MOUNTING OPTIONS

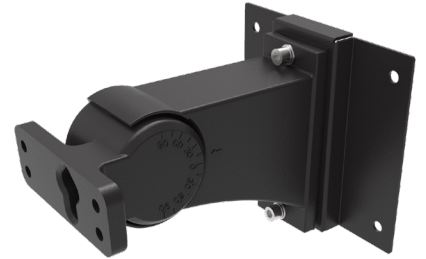
TRN - Trunnion/Yoke Mount



SLPF - 2-3/8" Slip Fitter

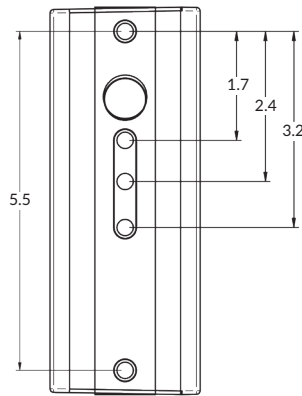
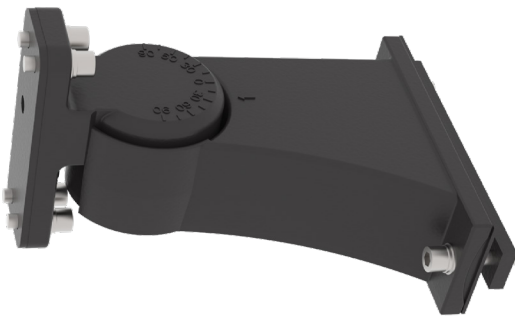


WMB - Adjustable Wall Mount Bracket



PMB - Pole Mount Bracket

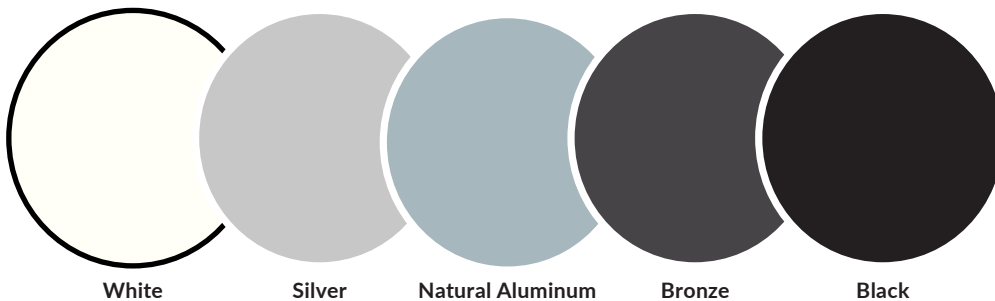
3 - 6" Square Poles  
4 - 5" Round Poles



SMB - Surface Wall Mount Junction Box



## FACTORY SELECT FINISH GUIDE



COLOR NAME AND DESCRIPTION		SHEEN	PRICING
WHT	- ILP White	SEMI GLOSS	Contact Factory for Pricing
SLV	- ILP Silver - Ultrasonic Chrome	GLOSS	Contact Factory for Pricing
NAT	- ILP Natural Aluminum	GLOSS	Contact Factory for Pricing
BRZ	- ILP Bronze	SEMI GLOSS	Standard
BLK	- ILP Black	SEMI GLOSS	Contact Factory for Pricing

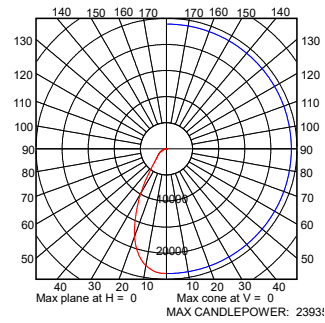
COLORS SHOWN ABOVE ARE TO BE USED AS REFERENCE, NOT EXACT MATCH. PLEASE REQUEST PAINT CHIPS FOR EXACT MATCH.

## PHOTOMETRIC DATA

### LUMINAIRE DATA

Part Number	VFL2-16L/18L/22L-U-CCTS-DS-TRN-BRZ-5H5V
Fixture Lumens (lm)	21691.91
Wattage (W)	147.1
Efficacy (lm/W)	147.5
Mounting	Trunnion

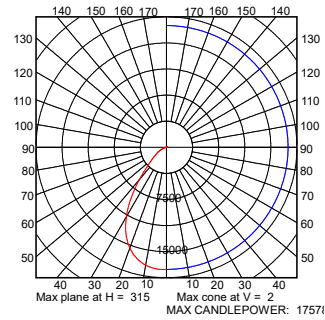
### CANDELA PLOT



### LUMINAIRE DATA

Part Number	VFL2-16L/18L/22L-U-CCTS-DS-TRN-BRZ-6H6V
Fixture Lumens (lm)	22494.8
Wattage (W)	147.3
Efficacy (lm/W)	152.7
Mounting	Trunnion

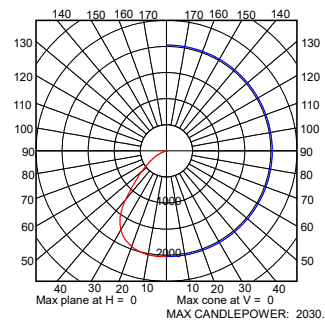
### CANDELA PLOT



### LUMINAIRE DATA

Part Number	VFL2-16L/18L/22L-U-CCTS-DS-TRN-BRZ-7H6V
Fixture Lumens (lm)	21990.88
Wattage (W)	147.5
Efficacy (lm/W)	149.1
Mounting	Trunnion

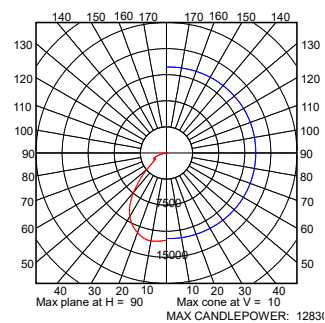
### CANDELA PLOT



### LUMINAIRE DATA

Part Number	VFX2-32L/36L/45L-U-CCTS-DS-TRN-BRZ-5H5V
Fixture Lumens (lm)	43557.39
Wattage (W)	299.3
Efficacy (lm/W)	145.5
Mounting	Trunnion

### CANDELA PLOT

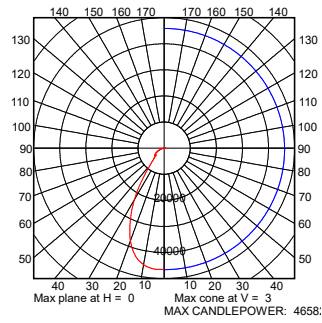


## PHOTOMETRIC DATA

### LUMINAIRE DATA

Part Number	VFX2-32L/36L/45L-U-CCTS-DS-TRN-BRZ-5H5V
Fixture Lumens (lm)	43557.39
Wattage (W)	299.3
Efficacy (lm/W)	145.5
Mounting	Trunnion

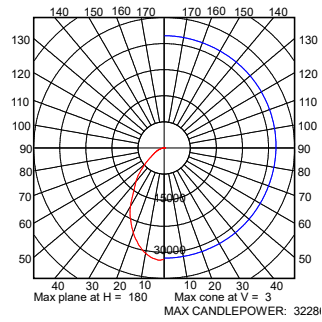
### CANDELA PLOT



### LUMINAIRE DATA

Part Number	VFX2-32L/36L/45L-U-CCTS-DS-TRN-BRZ-6H6V
Fixture Lumens (lm)	45056.23
Wattage (W)	299.6
Efficacy (lm/W)	150.4
Mounting	Trunnion

### CANDELA PLOT



### LUMINAIRE DATA

Part Number	VFX2-32L/36L/45L-U-CCTS-DS-TRN-BRZ-7H6V
Fixture Lumens (lm)	43816.06
Wattage (W)	298.9
Efficacy (lm/W)	146.6
Mounting	Trunnion

### CANDELA PLOT

