



PRODUCT
OVERVIEW



SCAN OR
CLICK HERE

FEATURES

- Simplifies installation with a quick mounting options and consolidates SKUs with selectors for CCT, lumen output, distribution, and photocell in a single fixture.
- Provides field-selectable CCT at 3000K, 4000K, or 5000K to align with site requirements.
- Enables field-selectable lumen output to tune light levels per location while preserving a consistent site appearance and energy targets.
- Offers electronic distribution selection across three ANSI patterns to set the beam spread on site without swapping optics.
- Withstands tough environments with an IP65-rated die-cast aluminum housing and a sealed tempered glass lens with a durable bronze powder coat finish.

DIGITAL NAVIGATION

Explore the spec sheet through the links below

[ORDERING GUIDE](#)

[LED SYSTEMS TABLE](#)

[EPA DATA](#)

[LINE DRAWINGS](#)

[PHOTOMETRIC DATA](#)



SUITABLE APPLICATIONS

- Landscape
- Wall Wash
- Spot & Flood Light
- Flag Pole
- Signage
- Elevation Illumination

CERTIFICATIONS



SPECIFICATIONS

CONSTRUCTION

The VF2.0 Flood Series features a slim profile die-cast aluminum housing available in 2 different sizes for a fully scalable solution. The low-profile die-cast aluminum housings are provided with a durable bronze polyester powder coat finish tailored to withstand extreme weather changes without cracking or peeling (Optional ILP White (WHT), Black (BLK), Silver (SLV) or Natural Aluminum (NAT) wet paint finishes available; Consult factory for alternate finishes). The driver cover seals to the housing with a one-piece silicone gaskets creating an IP65 rating for maximum ingress protection. Salt Spray tested for 500 hrs.

OPTICS

The isolated IP65 rated silicone gasket sealed optical chamber utilizes impact resistant and a tempered glass lens that provides electronic selectable ANSI 5x5, 6x6, & 7x6 distributions selectable via knockout switches for easy site modification. CCT selectable via an integral CCT selector dipswitch (3000K, 4000K, & 5000K per ANSI C78.377 standard & ≤5 SDCM). Consult factory for availability of alternate CCTs. Minimum CRI of 80. Optional visor accessory is available for additional cut-off.

ELECTRICAL

High-performance driver features over-voltage, under-voltage, short circuit and over temperature protection. 0-10V dimming (10% - 100%) standard. Standard Universal Voltage (120-277 Vac) Input 50/60 Hz or optional High Voltage (277-480 Vac). L70 >100,000 hrs. in accordance of IESNA TM-21-11 Projected values at 25°C Ambient temperature. Total harmonic distortion: 0.90. Input power stays constant over life. Minimum 6kV surge rating (VFC-2L 2.5kV) meets a minimum Category C Low operation (per ANSI/IEEE C62.41.2). Additional protection is available in 10kV and 20kV options. Lumen Selectable with 3 different lumen output configurations per SKU. Factory default to highest lumen output.

THERMAL

The VF Flood Series features an array of High-efficacy midpower LED's on a metal core board. The LED board is mounted directly to a cast aluminum housing with heat dissipating fins to provide excellent thermal performance extending the life of electronic components. Operating Ambient Temperature: VFS2: -40°C to +50°C (-40°F to 122°F). VFM2: -40°C to +40°C (-40°F to 104°F).

INSTALLATION

VFS2 ships with a factory-installed 1/2 NPS threaded knuckle mount. VFM2 includes a trunnion for solid-surface mounting. Knuckle and trunnions sold separately for field installation. Optional J-box cover allows for mounting to 4-inch electrical boxes. Sold and shipped separately for field installation. Vertical tenon adapter accessory allows knuckle models to mount to an 2-3/8" vertical tenon. All models ship standard with an 18-inch 5-wire SO cord.

CONTROLS

Integral embedded IP66 rated electronic photocell provides dusk/dawn control with an optional override switch to by-pass the photocell when required comes standard.

CERTIFICATIONS

ETL Listed for wet locations, suitable for ground mounting. Tested in accordance with IESNA LM-79 and LM-80 standards. IP65 rated Luminaire per IEC 60598. DesignLights Consortium® (DLC) Premium qualified product. Not all versions of this product may be DLC Premium qualified. Please check the DLC Qualified Products List at www.designlights.org/QPL to confirm which versions are qualified.

WARRANTY

5 Year Warranty Standard; 10 Year Warranty Optional ([Terms and Conditions apply](#)). See Website for more details. <https://www.ilp-inc.com/documents/>



ORDERING GUIDE

PART #

Example: VFS2-2L/4L/5L-U-CCTS-DS-KNK-BRZ

SERIES	LUMENS	DRIVER	CCT	DISTRIBUTION	MOUNTING	FINISH
VFS2 Viewpoint Flood Small 2.0	2L/4L/5L 4L 4,000 lm 2L 2,000 lm	U 120- 277V	CCTS Selectable CCT (3000K, 4000K, 5000K)	DS Distribution Selectable: 5H5V, 6H6V, 7H6V	KNK 1/2" Knuckle <i>*See Accessories for alternate mounting</i>	BRZ Bronze BLK ¹ Black WHT ¹ White SLV ¹ Silver NAT ¹ Natural Aluminum
VFM2 Viewpoint Flood Medium 2.0	7L/9L/11L 9L 9,000 lm 7L 7,000 lm	U 120- 277V	CCTS Selectable CCT (3000K, 4000K, 5000K)	DS Distribution Selectable: 5H5V, 6H6V, 7H6V	TRN Trunion/Yoke Mount <i>*See Accessories for alternate mounting</i>	

WARRANTY	SHIP WITH ACCESSORIES	
BLANK 5 Year 10YR ² 10 Year	+VF2/TRN/xxx	Trunion Mounting Bracket (Standard on VFM2, xxx=Finish)
	VF/KNK/xxx	1/2" Adjustable Knuckle (Standard on VFS2, xxx=Finish)
	VF/TR/xxx	2-3/8" Vertical Tenon adapter (Req. KNK Mounting, xxx=Finish)
	+VF2/RPLT/xxx	Round Plate Mounting (Req KNK Mounting, xxx=Finish - Only available in Bronze, Black, or White finishes)
	+VFS2/VISOR/xxx	Visor for Small ViewPoint Flood (xxx=finish; BRZ, BLK, WHT, NAT, SLV)
	+VFM2/VISOR/xxx	Visor for Med ViewPoint Flood (xxx=finish; BRZ, BLK, WHT, NAT, SLV)

FOOTNOTES

¹ Bronze finish standard, Consult factory for pricing & availability of other finishes; subject to longer lead-times

² Consult Factory for more details



QUICK SHIP ITEMS

PRODUCT	DESCRIPTION	UPC CODE
VFS2-2L/4L/5L-U-CCTS-DS-KNK-BRZ	Knuckle Mount Flood, 2,445-3,950-4,650 Lumens, 3K/4K/5K CCT Selectable, Bronze Finish	790492388426
VFM2-7L/9L/11L-U-CCTS-DS-TRN-BRZ	Trunion/Yoke Mount Flood, 7,335-9,480-11,625 Lumens, 3K/4K/5K CCT Selectable, Bronze Finish	790492388433
+VFS2/VISOR/BRZ	Visor for Small Viewpoint Flood, Bronze Finish	790492388501
+VFM2/VISOR/BRZ	Visor for Medium Viewpoint Flood, Bronze Finish	790492388518

QUICK SHIP ACCESSORIES	
+VF2/TRN/BRZ	Trunion Mounting Bracket (Standard on VFM2)
VF/KNK/BRZ	1/2" Adjustable Knuckle (Standard on VFS2)
VF/TR/BRZ	2-3/8" Vertical Tenon adapter (Req. KNK Mounting)
+VF2/RPLT/BRZ	Round Plate Mounting (Req KNK Mounting)



LED SYSTEMS INFO

LED SYSTEMS INFO ¹		3000K			4000K		5000K		Watts ²
Part Numbers	Fixed Lmen Output	Lens	Lumens	Efficacy	Lumens	Efficacy	Lumens	Efficacy	
VFS2	2L	5H5V	2250	150	2370	158	2250	150	15W
		6H6V	2400	160	2445	163	2400	160	
		7H6V	2350	157	2370	158	2350	157	
	4L	5H5V	3700	148	3825	153	3700	148	25W
		6H6V	3825	153	3950	158	3825	153	
		7H6V	3700	148	3825	153	3700	148	
	5L	5H5V	4350	145	4500	150	4350	145	30W
		6H6V	4500	150	4650	155	4500	150	
		7H6V	4350	145	4500	150	4350	145	
VFM2	7L	5H5V	6750	150	7110	158	6750	150	45W
		6H6V	7200	160	7335	163	7200	160	
		7H6V	6950	154	7110	158	6950	154	
	9L	5H5V	8880	148	9180	153	8880	148	60W
		6H6V	9180	153	9480	158	9180	153	
		7H6V	8880	148	9180	153	8880	148	
	11L	5H5V	10875	145	11250	150	10875	145	75W
		6H6V	11250	150	11625	155	11250	150	
		7H6V	10875	145	11250	150	10875	145	

¹ Values are nominal, see IES file for more detail

² Electrical data at 25C (77F). Actual wattage may differ by +/-10%.

EPA DATA

	KNK(AM)		TRN(YM)		WEIGHT (LBS)	
VFS2	0.15	3G	0.14	3G	3	without KNK
VFM2	0.19	3G	0.17	3G	5.03	without TRN



FACTORY SETTINGS

Distribution: 6H6V
Lumen Output: High
CCT: 4000K
Photocell: OFF
Power Switch: Highest Lumen Setting (30W for VFS2 and 75W for VFM2)

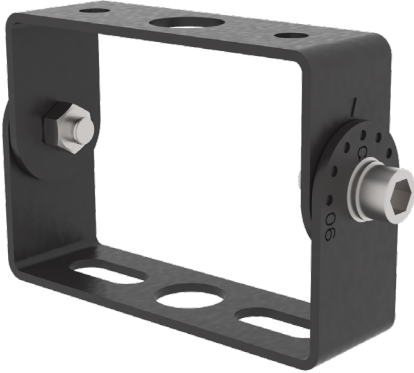
Distribution Switches

Power, Photocell and CCT Switches



MOUNTING OPTIONS

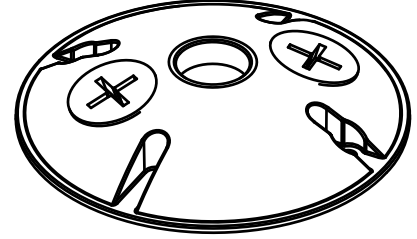
TRN - Trunnion/Yoke Mount



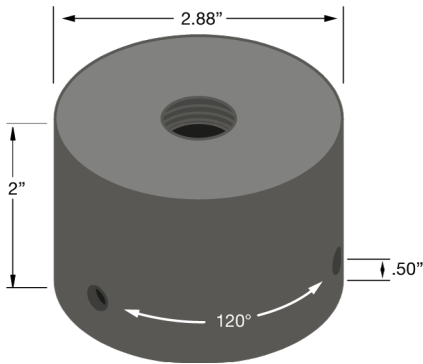
KNK - 1/2" Knuckle



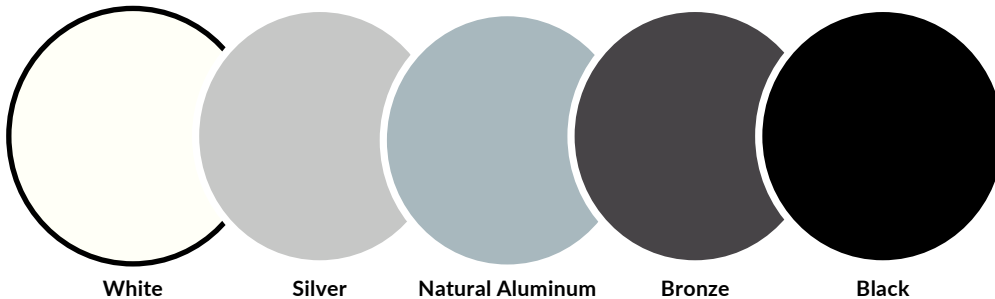
RPLT - Round Pier/J-Box Mount
(Must be used with KNK)



TR - 2 3/8" Vertical Tenon Adapter
(Must be used with KNK)



FACTORY SELECT FINISH GUIDE



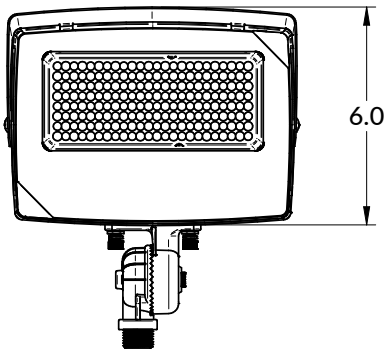
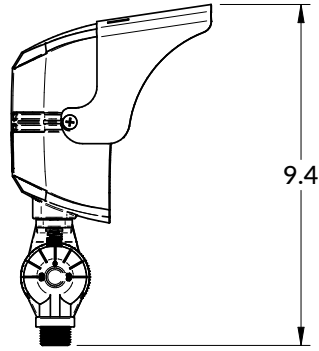
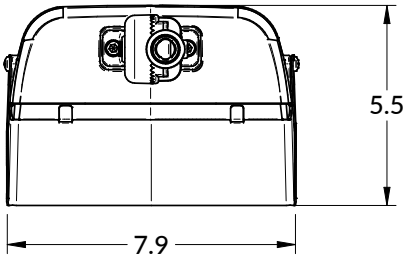
COLOR NAME AND DESCRIPTION		SHEEN	PRICING
WHT	- ILP White	SEMI GLOSS	Contact Factory for Pricing
SLV	- ILP Silver - Ultrasonic Chrome	GLOSS	Contact Factory for Pricing
NAT	- ILP Natural Aluminum	GLOSS	Contact Factory for Pricing
BRZ	- ILP Bronze	SEMI GLOSS	Standard
BLK	- ILP Black	SEMI GLOSS	Contact Factory for Pricing

COLORS SHOWN ABOVE ARE TO BE USED AS REFERENCE, NOT EXACT MATCH. PLEASE REQUEST PAINT CHIPS FOR EXACT MATCH.

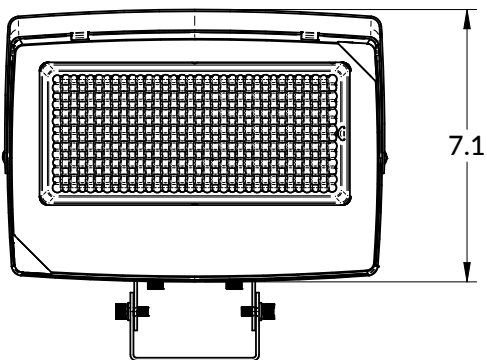
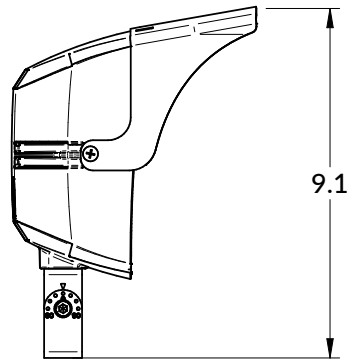
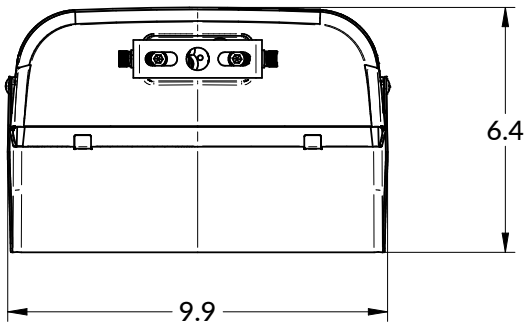


LINE DRAWINGS

+VFS2/VISOR

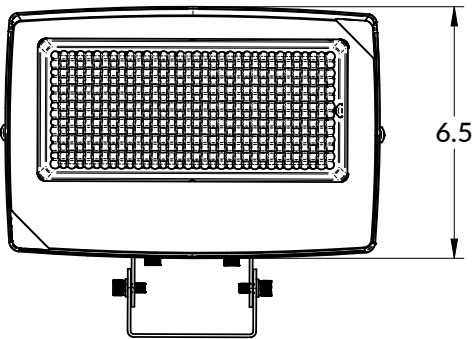
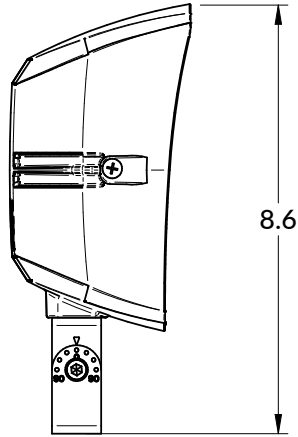
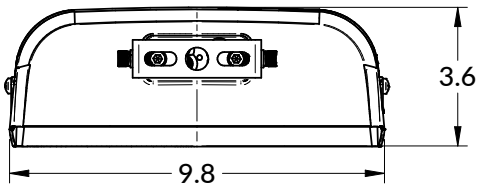


+VFM2/VISOR

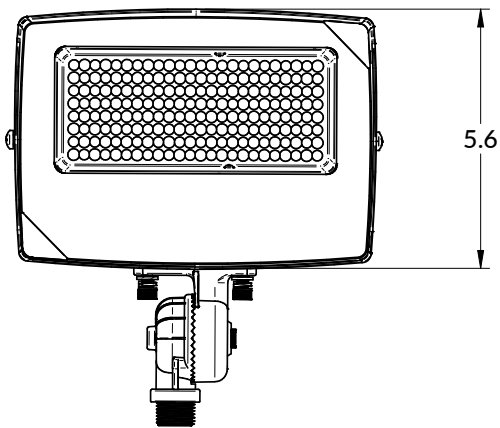
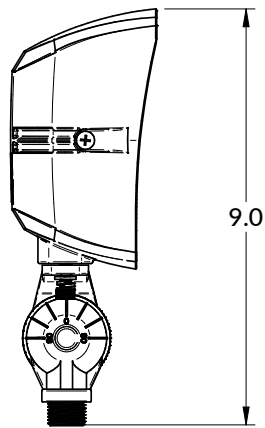
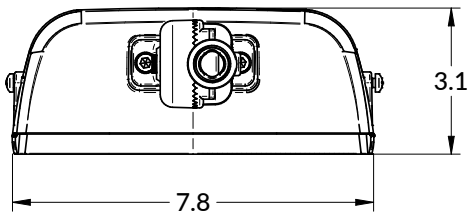


LINE DRAWINGS (Continued)

VFM2-TRN



VFS2-KNK



PHOTOMETRIC DATA

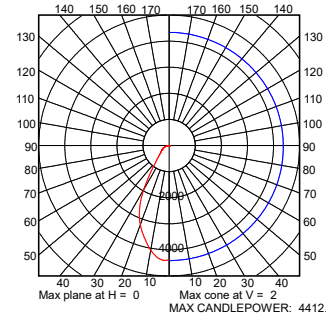
LUMINAIRE DATA

Part Number	VFS2-2L/4L/5L-U-CCTS-DS-KNK-BRZ (5H5V) (4000K)
Fixture Lumens (lm)	4396.2
Wattage (W)	30.1
Efficacy (lm/W)	146.1
Mounting	KNK

ZONAL LUMEN SUMMARY

Zone	Lumens (lm)	% Fixture
0° - 40°	3,397	77%
0° - 60°	4,109	94%
0° - 90°	4,396	100%
90° - 180°	0	0%
0° - 180°	4,396	100%

CANDELA PLOT



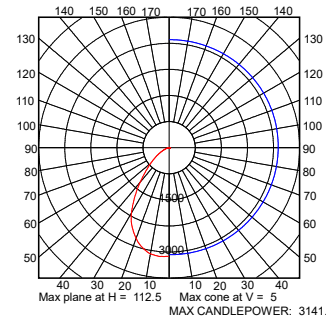
LUMINAIRE DATA

Part Number	VFS2-2L/4L/5L-U-CCTS-DS-KNK-BRZ (6H6V)
Fixture Lumens (lm)	4,527
Wattage (W)	29.2
Efficacy (lm/W)	155.02
Mounting	KNK

ZONAL LUMEN SUMMARY

Zone	Lumens (lm)	% Fixture
0° - 40°	3,127	69%
0° - 60°	4,257	94%
0° - 90°	4,527	100%
90° - 180°	0	0%
0° - 180°	4,527	100%

CANDELA PLOT



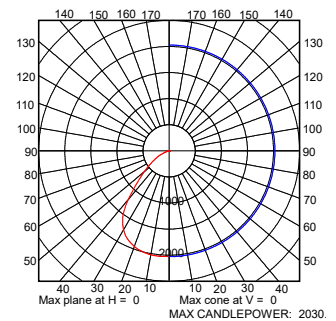
LUMINAIRE DATA

Part Number	VFS2-2L/4L/5L-U-CCTS-DS-KNK-BRZ (7H6V)
Fixture Lumens (lm)	4,418
Wattage (W)	30.1
Efficacy (lm/W)	146.8
Mounting	KNK

ZONAL LUMEN SUMMARY

Zone	Lumens (lm)	% Fixture
0° - 40°	2,655	60%
0° - 60°	4,113	93%
0° - 90°	4,418	100%
90° - 180°	0	0%
0° - 180°	4,418	100%

CANDELA PLOT



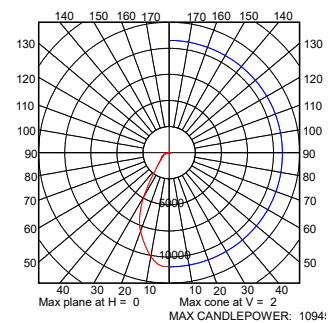
LUMINAIRE DATA

Part Number	VFM2-7L/9L/11L-U-CCTS-DS-TRN-BRZ (5H5V)
Fixture Lumens (lm)	10,906
Wattage (W)	71
Efficacy (lm/W)	153.6
Mounting	TRN

ZONAL LUMEN SUMMARY

Zone	Lumens (lm)	% Fixture
0° - 40°	6,474	59%
0° - 60°	10,194	94%
0° - 90°	10,906	100%
90° - 180°	0	0%
0° - 180°	10,906	100%

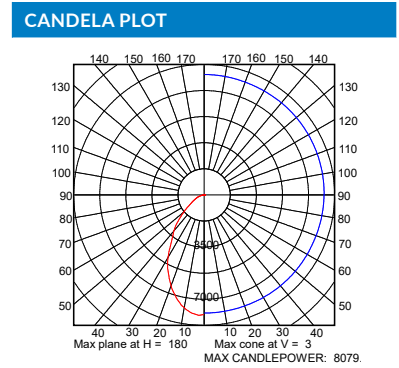
CANDELA PLOT



PHOTOMETRIC DATA

LUMINAIRE DATA	
Part Number	VFM2-7L/9L/11L-U-CCTS-DS-TRN-BRZ (6H6V)
Fixture Lumens (lm)	11,277
Wattage (W)	69.9
Efficacy (lm/W)	161.3
Mounting	TRN

ZONAL LUMEN SUMMARY		
Zone	Lumens (lm)	% Fixture
0° - 40°	7,849	70%
0° - 60°	10,535	93%
0° - 90°	11,277	100%
90° - 180°	0	0%
0° - 180°	11,277	100%



LUMINAIRE DATA	
Part Number	VFM2-7L/9L/11L-U-CCTS-DS-TRN-BRZ (7H6V)
Fixture Lumens (lm)	10,962
Wattage (W)	70.9
Efficacy (lm/W)	154.6
Mounting	TRN

ZONAL LUMEN SUMMARY		
Zone	Lumens (lm)	% Fixture
0° - 40°	6,774	62%
0° - 60°	10,215	93%
0° - 90°	10,962	100%
90° - 180°	0	0%
0° - 180°	10,962	100%

