



VPAN^{SELECT} SLM

Back-Lit Flat Panel with Skylight Mount Accessory

FEATURES

- Low Glare Smooth Uniform Illumination Back-Lit Panel with field-installed Skylight Mount Kit for regressed look
- Skylight Kit is available in either White Pre-Painted Aluminum or Black Post-Painted Aluminum
- Available in 1x4, 2x2 and 2x4 sizes, with support for grid, flange, surface, suspended, skylight, and skylight tilt mounting options, designed to fit both 15/16" and 9/16" T-grid ceiling systems.
- Field-selectable or factory-set lumen output (2,500–7,700 lumens) and CCT (2700K, 3000K, 3500K, 4000K and 5000K) for adaptable lighting solutions.
- Features >80 CRI and LEDs binned to <3 SDCM for exceptional color uniformity and consistency.
- Offers high efficacy of up to 157 lm/W with 0–10V dimming (100%–10%), featuring reliable performance with calculated L70 > 100,000 hours for long-lasting efficiency.

DIGITAL NAVIGATION

 Explore the spec sheet through the links below

ORDERING GUIDE	QUICK SHIP	LED SYSTEMS TABLE
CONTROLS	LINE DRAWINGS	PHOTOMETRIC DATA



SUITABLE APPLICATIONS

- Education
- Retail
- Food Prep
- Healthcare
- Grocery Store
- Storage Facility
- Commercial Office
- Residential
- Commercial Kitchen

CERTIFICATIONS



SPECIFICATIONS

CONSTRUCTION

Robust Die-Formed Housing and lens frame with Post-Paint Finish for rigidity and durability. Formed, welded and tightly constructed corners seal to housing to deter entrance of outside particles. Designed to achieve maximum performance and improved aesthetics.

INSTALLATION

Designed for a variety of mounting solutions including recessed grid, flange and surface mount. Can be installed into standard 15/16" & 9/16" T-grid ceiling. 9/16" installations will reveal portions of post painted fixture frame. Standard integral T-grid clips affixed to housing for secure fixture to grid ceiling. Access plate installed on top of driver housing for ease of hardwire power connections. Optional factory installed power flex conduit whip (MC) available to reduce installation time.

ELECTRICAL

Class 2 LED light engine for high efficacy and long life. Calculated L70 > 100,000hrs. Power Factor > 0.90. Standard 120-277 Vac 0-10V dimmable (10% - 100%). Optional 347V step down transformer. Optional Bi-level dimming driver (50%). Lumen Selectable fixtures allow for ease of field lumen adjustment with switch located on top side of driver. Lumen Selectable fixtures ship at the highest lumen output. CCT Selectable fixtures ship at 4000K.

OPTICS

High transmission extruded PMMA frosted acrylic lens with excellent shielding for durability and LED glare reduction. Individual micro optics present over each LED chip to provide smooth uniform illumination.

CONTROLS

Factory installed bi-level dimming microwave sensor to provide maximize energy savings when area is unoccupied. Sensor requires use of programming tool to set low end trim fixture output. Sensor installed behind lens. Advanced Control options also available and would be remotely mounted in the neighboring ceiling tile.

CERTIFICATIONS

ETL Listed to US and Canadian safety standards. Suitable for damp locations. Type IC Rated for Insulation Contact. Title 24 Compliant with sensor option; see local ordinance for qualification information.

WARRANTY

5 Year Warranty Standard; 10 Year Warranty Optional ([Terms and Conditions apply](#)).



VPAN^{SELECT} SLM

Back-Lit Flat Panel with Skylight Mount Accessory

ORDERING GUIDE

*Footnotes on page 3

PART #

Example: VPAN24-28L/57L-U-CCTS-G2-SLM-CR

SERIES	LUMENS	DRIVER	CCT	GENERATION	SKYLIGHT MOUNT KIT
VPAN14 1x4 Backlit Flat Panel	25L/49L - 25L/28L/35L/42L/49L Selectable 25L 2,500 lm 28L 2,800 lm 35L 3,500 lm 42L 4,200 lm 49L 4,900 lm	U 120-277V	CCTS 27K/30K/35/40/50 - Selectable 27 2700K 30 3000K 35 3500K 40 4000K 50 5000K	G2 Gen 2	SLM ²⁵ Skylight Mount Kit
VPAN22 2x2 Backlit Flat Panel	25L/49L - 25L/28L/35L/42L/49L Selectable 25L 2,500 lm 28L 2,800 lm 35L 3,500 lm 42L 4,200 lm 49L 4,900 lm				
VPAN24 2x4 Backlit Flat Panel	28L/57L - 28L/35L/42L/49L/57L - Selectable 49L/77L - 49L/56L/63L/70L/77L - Selectable 28L 2,800 lm 35L 3,500 lm 42L 4,200 lm 49L ²² 5,000 lm 56L 5,600 lm 57L 5,700 lm 63L 6,300 lm 70L 7,000 lm 77L 7,700 lm				

TRIM COLOR
BLANK White
BLK ⁶ Black

ALT DRIVER
BLANK Standard Driver
SR ^{1,22} Sensor-Ready Driver
DR ^{1,22} DALI Driver
BLD ^{1,2,3,22} Bi-Level Dimming Driver
DIM1 ^{1,22} 1% Dimming Driver

EMERGENCY ²
BLANK None
EM8 ^{4,5} 8W LED Battery Backup
EM10 ^{4,5} 10W LED Battery Backup
EM10/HE ^{4,5} 10W LED Battery Backup
EM10/HE/SD ^{4,5} 10W LED Self-Diagnosing Battery Backup
GTD ^{3,21} Generator Transfer Device
DTS ⁵ Dimming Transfer Switch

CONTROLS OPTIONS	
BASIC	ADVANCED
BLANK None	BLANK None
MWS ^{23,27} User Selectable Bi-Level Dimming Microwave Sensor	ESMC/CM ^{1,7,13,20} EasySense Grouping Sensor
	VDO ^{1,13,15,20} Lutron Vive DFCSJ-OEM-OCC Daylight & Occupancy Control
	VRF ^{1,13,14,20} Lutron Vive DFCSJ-OEM-RF Radio Frequency Communication Only
	AWN ^{1,12,14,20} Lutron Athena Wireless Node RF Only
	AWNS ^{1,13,15,20} Lutron Athena Wireless Node with Sensor

STEP DOWN
BLANK None
SD347 ^{6,21} 347V Step Down Transformer

METAL CONDUIT
BLANK None
MCx/3W ²¹ Metal Conduit (x=ft), 3-wire
MCx/4W ²¹ Metal Conduit (x=ft), 4-wire
MCx/5W ^{7,21} Metal Conduit (x=ft), 5-wire
MCx/6W ⁷ Metal Conduit (x=ft), 6-wire

WARRANTY
BLANK 5 Year
10YR 10 Year

CONTINUE TO NEXT PAGE



ACCESSORIES ²⁵	
BLANK	None
NURO7-CM ^{7, 13, 19}	NUROAir Ceiling Mount Bluetooth Groupable Sensor
NURO8-V1 ⁸	NUROAir Ceiling Mount Bluetooth Groupable Sensor
NURO-SW-3B-BA-BL-WP-V1	NUROAir Bluetooth 3-Key Wireless Battery Powered Wall Switch
NURO-SW-5B-BA-BL-WP-V1	NUROAir Bluetooth 5-Key Wireless Battery Powered Wall Switch
NURO-SW-7B-AC-BL-WP-V1	NUROAir Bluetooth 7-Key Line Voltage (AC 120-277V) Powered Wall Switch
ESMC/WWS/DR	Wireless Wall Dual Rocker Switch To Control Each ES Group Of Fixtures
FLGKxx ²⁴	Flange Mount Kit (xx=size, 14=1x4)
FLGKxx BLK ²⁴	Flange Mount Kit - Black Finish (xx=size, 14=1x4)
+VPANxx SM ²⁴	Surface Mount Kit (xx=size, 14=1x4)
+VPANxx SM BLK ²⁴	Black Surface Mount Kit (xx=size, 14=1x4)
+SMSKxx ²⁴	Surface Mount Skirt Kit (xx=size, 22=2x2)
+SMSKxx BLK ²⁴	Surface Mount Skirt Kit - Black Finish (xx=size, 14=1x4)
+VPANxx SLM ^{19, 24}	Skylight Mount Kit - White Finish (xx=size, 14=1x4)
+VPANxx SLMK BLK ²⁴	Skylight Mount Kit - Black Finish (xx=size, 14=1x4)
+VPAN22 SLMK/T ^{8, 19, 24}	Skylight Mount Kit Tilt - White Finish
+VPAN22 SLMK/T BLK ^{8, 24}	Skylight Mount Kit Tilt - Black Finish
+VPANxx SEK ^{9, 19, 24}	Suspended Enclosure Kit - Black Finish - 60" aircraft cable (xx=size, 22=2x2)
+VPANxx SEK BLK ^{9, 24}	Black Suspended Enclosure Kit - 60" aircraft cable (xx=size, 22=2x2)
ACx/L ^{3, 10, 24}	Aircraft Cable Loop Set for Suspension Mounting (x=ft)
+VPAN G2 LJB	Large Junction Box
MW/RC	Microwave sensor remote

FOOTNOTES

- ¹ Not compatible with the Lumen selectable and CCT selectable functions
- ² Not compatible with SD347
- ³ Not compatible with sensor options
- ⁴ CEC Title 20 Compliant
- ⁵ Min ambient of 32°F
- ⁶ Does not qualify for DLC
- ⁷ Easily controlled via mobile phone with Bluetooth app
- ⁸ Only available on 2x2 size
- ⁹ Aircraft cable set included
- ¹⁰ Two sets required per fixture for suspension mounting
- ¹¹ Must be used with SR driver
- ¹² Sensor installed into knockout of driver box
- ¹³ Sensor to be mounted in adjacent ceiling tile
- ¹⁴ One sensor can be wired to up to (4) fixtures with SR sensor ready drive option
- ¹⁵ Only available with NURO8-V1 control option
- ¹⁶ Must be used with +UHBS-RC option for commissioning
- ¹⁷ Must be ordered with -CR option
- ¹⁸ Min ambient of -4°F
- ¹⁹ Not compatible with CR versions
- ²⁰ Limited CCT options, only available in 27K, 35K, and 50K
- ²¹ Not available with EM options
- ²² Will utilize VPAN24-28L/57L fixture
- ²³ Must include remote for sensor
- ²⁴ Not NSF certified
- ²⁵ Shipped as field-installable accessories



QUICK SHIP ITEMS

PRODUCT	DESCRIPTION	DLC LISTING
VPAN14-25L/49L-UCCTS-G2	Backlight 1x4 Panel, 4900-4200-3500-2800-2520lm, 140LPW, 27-30-35-40-50K	
VPAN22-25L/49L-U-CCTS-G2	Backlight 2x2 Panel, 4900-4200-3500-2800-2520lm, 140LPW, 27-30-35-40-50K	
VPAN24-28L/57L-U-CCTS-G2	Backlight 2x4 Panel, 5740-4900-4200-3500-2800lm, 140LPW, 27-30-35-40-50K	



VPAN^{SELECT} SLM

Back-Lit Flat Panel with Skylight Mount Accessory

LED SYSTEMS INFO

LED SYSTEMS INFORMATION ¹		2700K		3000K		3500K		4000K		5000K		Watts ²
Model Numbers	Lumen Package	Lumens	Efficacy	Lumens	Efficacy	Lumens	Efficacy	Lumens	Efficacy	Lumens	Efficacy	
VPAN14-25L/49L-U-CCTS-G2	25L	2414.7	145.7	2567.4	153.8	2584.1	157.3	2641.4	158.3	2626.7	155.2	17.5
	28L	2693.8	145.0	2863.7	153.1	2882.2	155.1	2946.1	157.3	2929.0	154.5	19.4
	35L	3343.9	142.3	3555.4	151.7	3577.6	154.4	3657.9	155.8	3636.2	152.2	24.3
	42L	4040.2	139.6	4295.6	149.4	4322.7	152.8	4419.7	153.8	4394.1	149.3	29.0
	49L	4643.9	135.6	4937.7	147.2	4968.5	151.3	5080.3	152.2	5050.5	147.8	33.6
VPAN22-25L/49L-U-CCTS-G2	25L	2444.7	147.8	2578.7	155.2	2594.1	157.2	2662.9	160.0	2652.5	160.7	16.6
	28L	2726.5	146.5	2875.6	154.2	2894.2	156.8	2969.6	159.5	2958.3	159.9	18.6
	35L	3384.1	143.4	3570.1	152.5	3592.6	155.6	3686.6	157.7	3671.9	156.4	23.4
	42L	4089.2	139.8	4313.4	149.8	4340.7	153.6	4454.9	155.3	4437.0	152.6	28.8
	49L	4700.4	136.1	4958.1	146.9	4989.5	151.2	5120.6	152.7	5100.1	148.0	34.0
VPAN24-28L/57L-U-CCTS-G2	28L	2941.4	143.4	3066.0	153.0	3068.4	152.5	3179.9	157.4	3192.4	156.1	20.0
	35L	3551.8	141.6	3702.0	150.6	3706.1	151.8	3840.1	156.3	3855.2	154.4	25.5
	42L	4217.2	139.2	4396.0	148.9	4400.7	150.3	4559.7	154.7	4577.8	151.9	30.0
	49L	4827.7	136.8	5032.0	147.1	5037.4	148.7	5219.9	153.1	5239.6	149.3	35.0
	57L	5549.0	135.2	5784.0	143.4	5790.0	145.6	6000.0	149.7	6023.0	147.1	41.0
VPAN24-49L/77L-U-CCTS-G2	49L	4697.5	141.6	4870.6	148.9	4905.6	151.1	4964.8	154.5	4970.7	152.0	32.6
	56L	5240.7	140.9	5425.2	148.2	5444.8	150.6	5601.7	153.9	5609.1	151.4	36.9
	63L	6053.2	140.1	6269.4	147.4	6299.6	150.0	6479.5	153.3	6487.9	150.8	42.7
	70L	6577.8	139.4	6816.2	146.7	6857.2	149.5	7051.3	152.7	7060.4	150.2	47.0
	77L	7340.0	138.6	7610.0	146.0	7665.0	148.9	7880.0	152.1	7890.0	149.6	52.0

¹ Values are nominal, see IES file for more detail ² Electrical data at 25C (77F). Actual wattage may differ by +/- 10%
 * Ambient Temperature range is -4°F - 104°F for all models

CONTROLS OPTIONS

ADVANCED

NUROAir by ILLUMUS

NUROAir Integrated Sensor is the optimal groupable controls lighting solution. With main features such as Passive Infrared (PIR), Occupancy, and Daylight Harvesting - this flexibility makes the NUROAir Integrated Sensor ideal for tailoring lighting to specific space needs, optimizing both ambiance and efficiency. The NUROAir App, available for download on iOS and Google Play Store, offers a user-friendly interface for customization of your space. Through the app, users can configure sensor settings such as the Light Output, CCT output, Hold Time, Standby Time/Level, High/Low End Trim, set schedules, and control lighting groups or zones, all from a mobile or tablet device.



POWERED BY ILLUMUS BRANDS



Click Here or Scan Code to Learn More About

NUROAir Bluetooth Controls

EASYSense

ESMC/CM

EasySense sensor combines occupancy sensing, daylight harvesting and institutional tuning in one compact solution. This is an ideal control for any Commercial application. Each device allows you to turn on/off occupancy and/or daylight harvesting functions as well as set the full light output, background light level, occupancy prolong time, occupancy grace fading time & occupancy time out/hold time. It can be easily controlled via the Philips MasterConnect Bluetooth App on a mobile phone.

ESMC/WWS/DR

Optional Wireless / Batteryless Dual Rocker Wall Switch. Up to 100ft range. Functions include: On/Off, dimming and setting of (2) scenes for full room control.

Specifications:

- Wireless
- Batteryless
- Dual Rocker
- ZigBee®
- 30-100ft Range

Functions:

1. On (Hold to brighten up)
2. Off (Hold to dim down)
3. Scene 1
4. Scene 2



VPAN^{SELECT} SLM

Back-Lit Flat Panel with Skylight Mount Accessory

CONTROLS OPTIONS (Continued)

ADVANCED

LUTRON

VDO

Vive DFCSJ-OEM-OCC integral fixture control sensor with daylight & occupancy. Vive provides intuitive programming allowing for maximum flexibility with wireless communication & sensing as desired. Provided with factory installed components only. Lutron system provided by others. Sensor must be used in conjunction with Pico Switch/Dimmer. Cannot be used in conjunction with mechanical on/off power switch. Contact factory for more information.

VRF

Vive DFCSJ-OEM-RF integral fixture control with Radio Frequency (RF) communication. Vive provides intuitive programming allowing for maximum flexibility with wireless communication as desired. Provided with factory installed components only. Lutron system provided by others. Sensor must be used in conjunction with Pico Switch/Dimmer. Cannot be used in conjunction with mechanical on/off power switch. Contact factory for more information.

AWNR

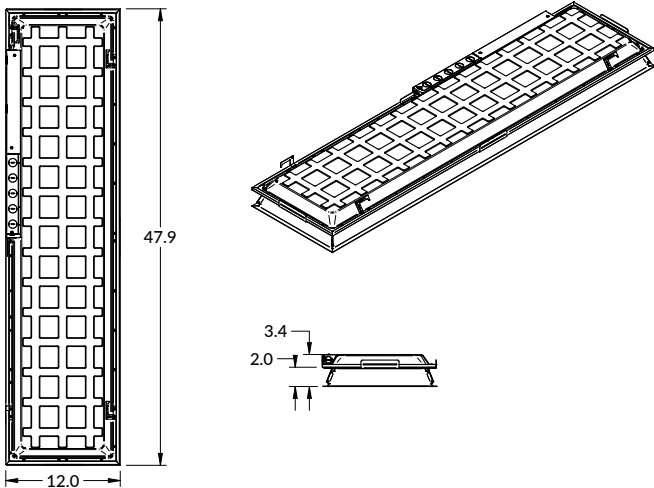
Athena wireless node is a radio frequency (RF) device that enables simple, digital control of individual light fixtures in an Athena control system. Enables individual wireless control of each fixture in an Athena control system. Accommodates zone and control changes without rewiring. All drivers on the link are controlled as a single zone. Provided with factory installed components only. Lutron Athena system provided by others.

AWNS

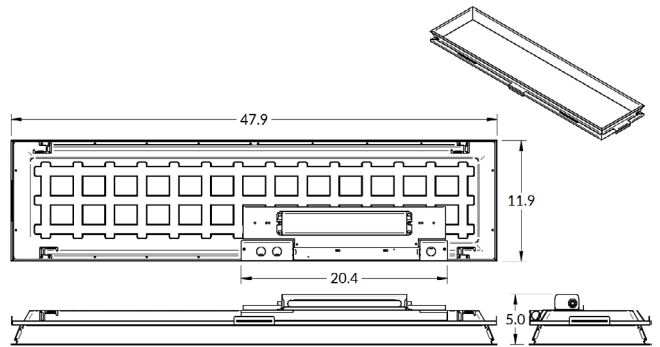
Athena wireless node with a sensor that enables simple, digital control of individual light fixtures in an Athena control system. Provides wireless control of the fixture and includes a passive infrared (PIR) sensor for occupancy and a daylight sensor. Enables individual wireless control of each fixture in an Athena control system. Accommodates zone and control changes without rewiring. All drivers on the link are controlled as a single zone. Provided with factory installed components only. Lutron Athena system provided by others.

LINE DRAWINGS

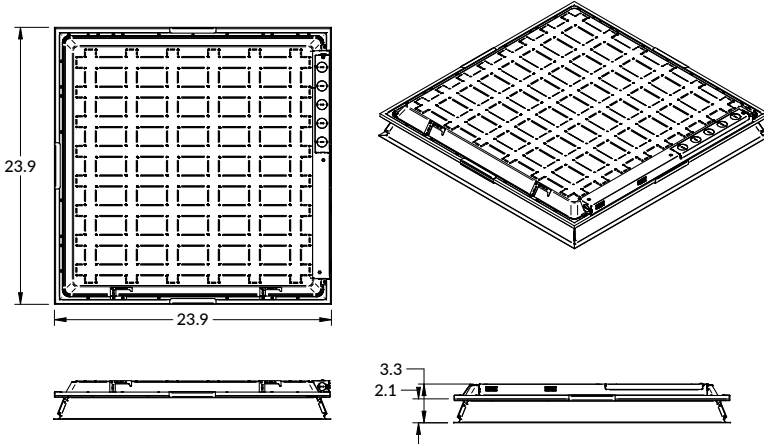
1x4 SLMK



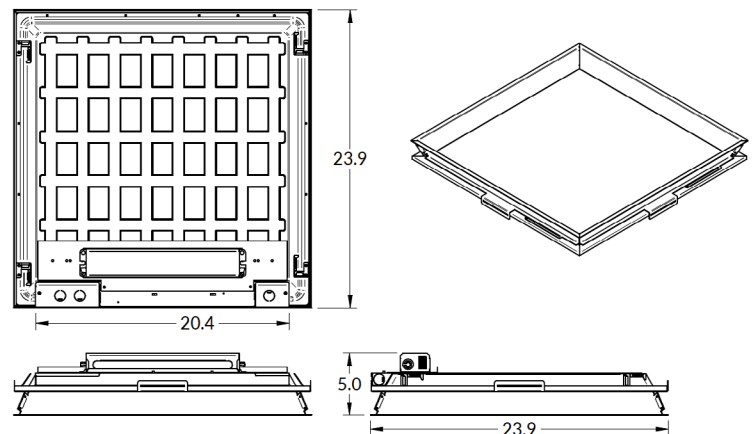
1x4 with EM



2x2 SLMK



2x2 with EM



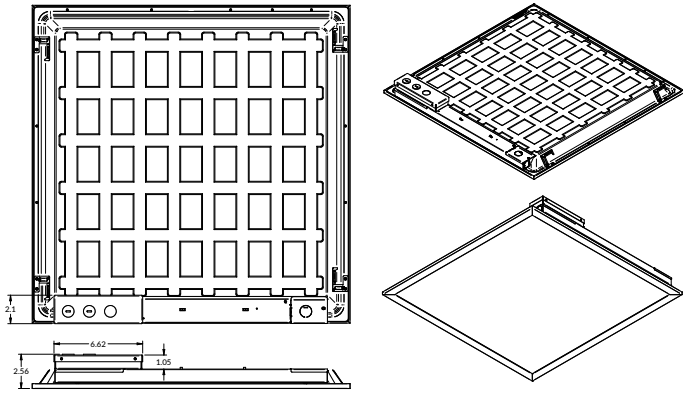


VPAN^{SELECT} SLM

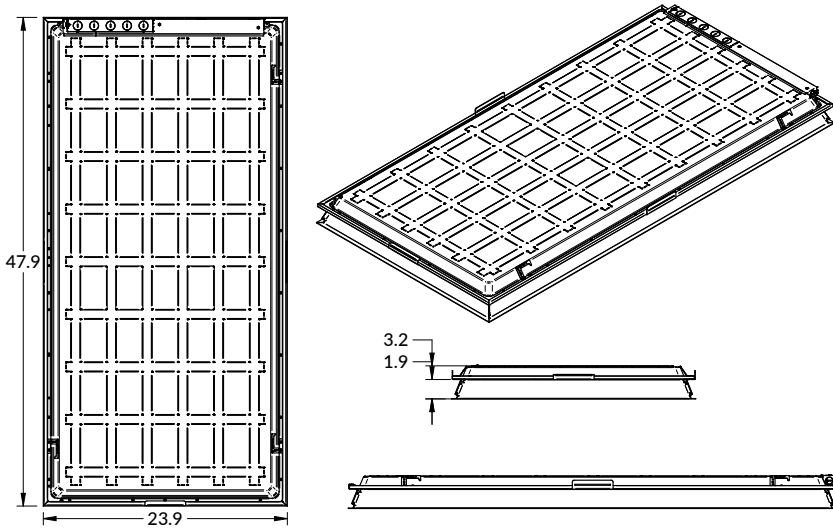
Back-Lit Flat Panel with Skylight Mount Accessory

LINE DRAWINGS (Continued)

2x2 with LJB (Large Junction Box)



2x4 SLMK



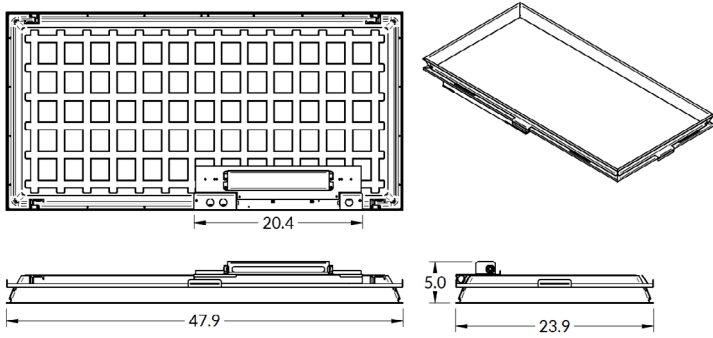


VPAN^{SELECT} SLM

Back-Lit Flat Panel with Skylight Mount Accessory

LINE DRAWINGS (Continued)

2x4 with EM





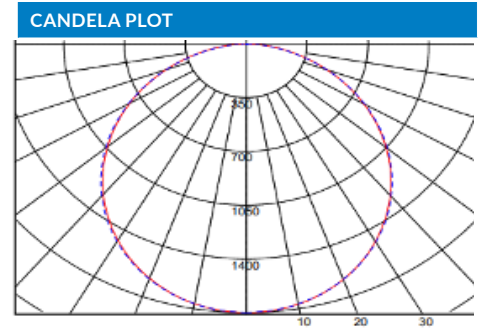
VPAN^{SELECT} SLM

Back-Lit Flat Panel with Skylight Mount Accessory

PHOTOMETRIC DATA

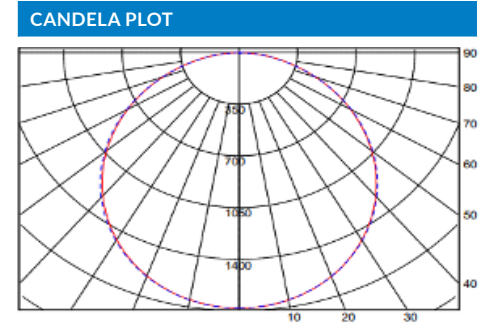
LUMINAIRE DATA	
Part Number	VPAN14-28L/57L-U-CCTS-G2
Description	Backlight 1x4 Panel, 4900-4200-3500-2800-2520lm, 140LPW, 27-30-35-40-50K
Fixture Lumens (lm)	5080.2
Wattage (W)	33.4
Efficacy (lm/W)	152
Mounting	Recessed

ZONAL LUMEN SUMMARY		
Zone	Lumens (lm)	% Fixture
0° - 40°	1361.6	27%
0° - 60°	3968.7	78%
0° - 90°	5080.2	100%
90° - 180°	0	0%
0° - 180°	5080.2	100%



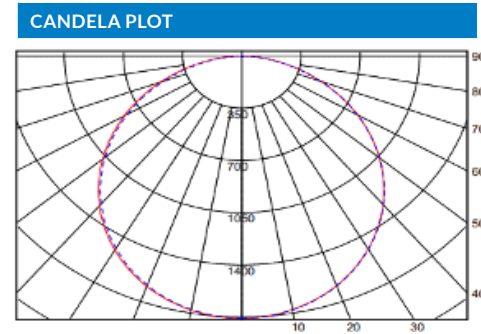
LUMINAIRE DATA	
Part Number	VPAN14-28L/57L-U-CCTS-G2-CR
Description	Backlight 1x4 Panel, 4900-4200-3500-2800-2520lm, 140LPW, 27-30-35-40-50K, receptacle in metal frame
Fixture Lumens (lm)	5120.2
Wattage (W)	33.5
Efficacy (lm/W)	150
Mounting	Recessed

ZONAL LUMEN SUMMARY		
Zone	Lumens (lm)	% Fixture
0° - 40°	2246.8	44%
0° - 60°	3394.1	78%
0° - 90°	5120.2	100%
90° - 180°	0.0	0%
0° - 180°	5120.2	100%



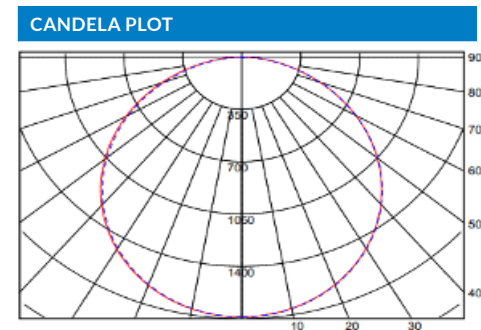
LUMINAIRE DATA	
Part Number	VPAN22-25L/49L-U-CCTS-G2
Description	Backlight 2x2 Panel, 4900-4200-3500-2800-2520lm, 140LPW, 27-30-35-40-50K, receptacle in metal frame
Fixture Lumens (lm)	5068.8
Wattage (W)	33.5
Efficacy (lm/W)	150
Mounting	Recessed

ZONAL LUMEN SUMMARY		
Zone	Lumens (lm)	% Fixture
0° - 40°	2222.8	44%
0° - 60°	3952.8	78%
0° - 90°	5098.8	100%
90° - 180°	0.0	0%
0° - 180°	5068.8	100%



LUMINAIRE DATA	
Part Number	VPAN22-25L/49L-U-CCTS-G2-CR
Description	Backlight 2x4 Panel, 5740-4900-4200-3500-2800lm, 140LPW, 27-30-35-40-50K
Fixture Lumens (lm)	5219.9
Wattage (W)	33.9
Efficacy (lm/W)	150
Mounting	Recessed

ZONAL LUMEN SUMMARY		
Zone	Lumens (lm)	% Fixture
0° - 40°	2222.8	44%
0° - 60°	3952.8	78%
0° - 90°	5098.8	100%
90° - 180°	0.0	0%
0° - 180°	5068.8	100%





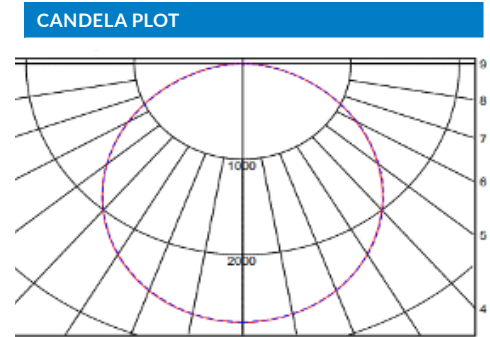
VPAN^{SELECT} SLM

Back-Lit Flat Panel with Skylight Mount Accessory

PHOTOMETRIC DATA (Continued)

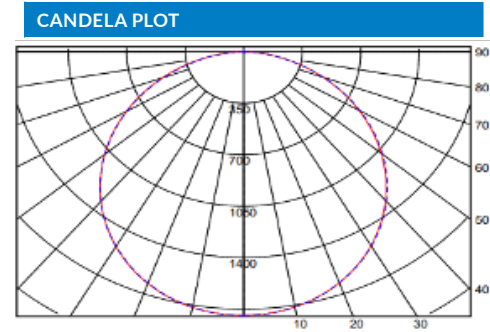
LUMINAIRE DATA	
Part Number	VPAN24-49L/77L-U-CCTS-G2
Description	Backlight 2x4 Panel, 5740-4900-4200-3500-2800lm, 140LPW, 27-30-35-40-50K
Fixture Lumens (lm)	5219.9
Wattage (W)	40.1
Efficacy (lm/W)	150.0
Mounting	Recessed

ZONAL LUMEN SUMMARY		
Zone	Lumens (lm)	% Fixture
0° - 40°	2293.0	44%
0° - 60°	4074.0	78%
0° - 90°	5219.9	100%
90° - 180°	0.0	0%
0° - 180°	5219.9	100%



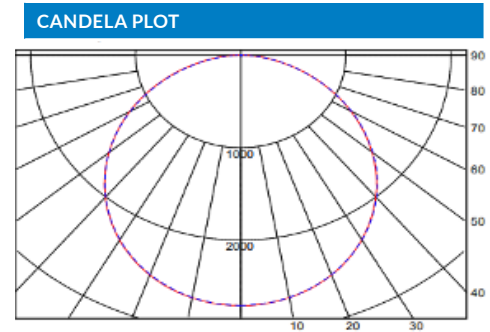
LUMINAIRE DATA	
Part Number	VPAN24-28L/57L-U-CCTS-G2-CR
Description	Backlight 2x4 Panel, 5740-4900-4200-3500-2800lm, 140LPW, 27-30-35-40-50K, receptacle in metal frame
Fixture Lumens (lm)	5219.7
Wattage (W)	39.7
Efficacy (lm/W)	15
Mounting	Recessed

ZONAL LUMEN SUMMARY		
Zone	Lumens (lm)	% Fixture
0° - 40°	2293.3	44%
0° - 60°	4073.4	78%
0° - 90°	5217.7	100%
90° - 180°	0.0	0%
0° - 180°	5219.7	100%



LUMINAIRE DATA	
Part Number	VPAN24-49L/77L-U-CCTS-G2
Description	Backlight 2x4 Panel, 7700-7000-6300-5600-4900lm, 140LPW, 27-30-35-40-50K
Fixture Lumens (lm)	7879.9
Wattage (W)	51.8
Efficacy (lm/W)	152
Mounting	Recessed

ZONAL LUMEN SUMMARY		
Zone	Lumens (lm)	% Fixture
0° - 40°	3460.3	44%
0° - 60°	6147.8	78%
0° - 90°	7879.9	100%
90° - 180°	0.0	0%
0° - 180°	7879.9	100%



LUMINAIRE DATA	
Part Number	VPAN24-49L/77L-U-CCTS-G2-CR
Description	Backlight 2x4 Panel, 7700-7000-6300-5600-4900lm, 140LPW, 27-30-35-40-50K, receptacle in metal frame
Fixture Lumens (lm)	7801.7
Wattage (W)	51.3
Efficacy (lm/W)	152
Mounting	Recessed

ZONAL LUMEN SUMMARY		
Zone	Lumens (lm)	% Fixture
0° - 40°	3426.5	44%
0° - 60°	6086.5	78%
0° - 90°	0.0	0%
90° - 180°	7108.7	100%
0° - 180°		

