



VOLUMETRIC SELECTABLE TROFFER

PRODUCT
OVERVIEW



SCAN OR
CLICK HERE

FEATURES

- Ultra-shallow 2.1" depth ideal for low plenum spaces, with a matte white post-paint finish for uniform, indirect illumination.
- Supports grid, flange, and surface mounting for easy installation in diverse applications.
- Controls ready for interface with NUROAir System.
- Available in 1x4, 2x2, and 2x4 sizes, with field-selectable or factory-set lumen outputs ranging from 2,000-8,000 lumens.
- Field-selectable or factory-set CCT options (2700K, 3000K, 3500K, 4000K, and 5000K).
- Delivers up to 180 lm/W efficacy, >80 CRI, and supports integrated wireless control option for enhanced energy savings.

DIGITAL NAVIGATION

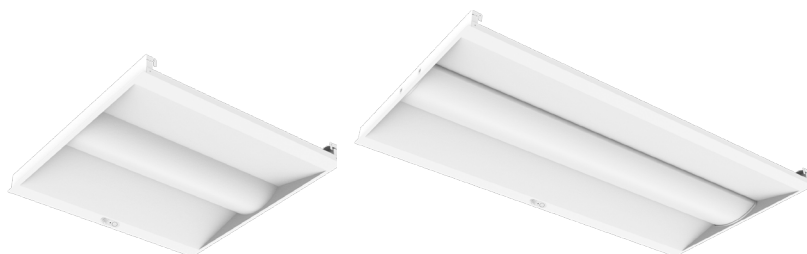
Explore the spec sheet through the links below

[ORDERING GUIDE](#)
[CONTROLS](#)

[QUICK SHIP](#)
[OPTIONS](#)

[LED SYSTEMS TABLE](#)
[LINE DRAWINGS](#)

[AMBIENT TEMP. RANGE](#)
[PHOTOMETRIC DATA](#)



SUITABLE APPLICATIONS

- Education
- Retail
- Healthcare
- Storage Facility
- Commercial Office

CERTIFICATIONS



*Optional



SPECIFICATIONS

CONSTRUCTION

Steel housing white finish body for rigidity, durability and ease of installation. Matte white post paint finish for uniform indirect illumination. Designed to achieve maximum performance and improved aesthetics.

ELECTRICAL

Class 2 LED light engine for high efficacy and long life. Calculated L70 > 100,000 hrs. LED Lumen Maintenance Estimates based on TM-21 projections for the light source at 25°C ambient. Power Factor > 0.90. Standard 120-277 Vac 0-10V dimmable (10%-100%) with optional 347 Vac step down transformer. Optional emergency battery backups available to meet critical life safety lighting requirements. Lumen and CCT Selectable fixtures allow for ease of adjustment with switches located on top side of driver. Lumen Selectable fixtures ship at the highest lumen output. CCT Selectable fixtures ship at 4000K.

INSTALLATION

VST fits into standard 9/16" & 15/16" T-grid ceiling. Optional Flange Kit (FLGK) for recessed drywall mounting & Surface Mount (SM) to ceiling mount options available. Access plate installed on top of fixture for easy hardwire power connections. Optional factory installed power flex conduit whip (MC) available to reduce electrical installation time.

OPTICS

Standard high transmission frosted polycarbonate lens. Easy access to LED boards for maintenance.

CONTROLS

Factory and field installable sensor options available to maximize energy savings. Please see more information below on Page 4. Inquire with manufacturer for additional controls options.

THERMAL

Base Operating Ambient Temperature: -20°C to 40°C (-4°F to 104°F). VST24-50L/80L-U-CCTS-G2-CR: -20°C to 35°C (-4°F to 95°F). Reduced fixture maximum ambient on emergency battery backups options, consult factory.

CERTIFICATIONS

ETL Listed to US and Canadian safety standards. Suitable for insulation contact with Type IC rated. Suitable for damp locations. Title 24 Compliant with sensor option; see local ordinance for qualification information. DLC (DesignLights Consortium) Premium Qualified. Please refer to the DLC Qualified Products List at www.Designlights.org/QPL to confirm specific product qualifications.

WARRANTY

5 Year Warranty Standard; 10 Year Warranty Optional ([Terms and Conditions apply](#)).



VOLUMETRIC SELECTABLE TROFFER

ORDERING GUIDE

PART #

Example: VST24-25L-U-CCTS-G2-CR

SERIES	LUMENS	DRIVER	CCT	GENERATION
VST14 1x4 Volumetric Troffer	20L/40L 20L/25L/30L/40L - Lumen Selectable 20L 2,000 lm 25L 2,500 lm 30L 3,000 lm 40L 4,000 lm	U 120-277V	CCTS CCT Selectable 27K/30K/35K/40K/50K 27 2700K 30 3000K 35 3500K 40 4000K 50 5000K	G2 Gen 2
VST22 2x2 Volumetric Troffer	20L/40L 20L/25L/30L/40L - Lumen Selectable 20L 2,000 lm 25L 2,500 lm 30L 3,000 lm 40L 4,000 lm			
VST24 2x4 Volumetric Troffer	25L/50L 20L/30L/40L/50L - Lumen Selectable 50L/80L 50L/55L/65L/80L - Lumen Selectable 25L 2,500 lm 30L 3,000 lm 40L 4,000 lm 50L 5,000 lm 55L 5,500 lm 65L 6,500 lm 80L 8,000 lm			

CONTROLS READY	EMERGENCY	OPTIONS	STEP DOWN
BLANK ⁶ Not Controls Ready CR ⁷ Controls Ready	BLANK None EM5 ⁹ 5W Battery Backup EM5/HE ^{1,9} 5W Battery Backup EM7 ⁹ 7W Battery Backup EM7/HE ^{1,9} 7W Battery Backup EM10 ⁹ 10W Battery Backup EM10/HE ^{1,9} 10W Battery Backup EM10/HE/SD ^{1,9} 10W Self-Diagnosing Battery Backup EM15 ⁹ 15W Battery Backup DTS ⁹ UL924 Dimming Transfer Switch	ADVANCED BLANK None NURO ^{4,6} NUROAir Integrated Bluetooth Groupable Sensor	BLANK None SD347 ² 347V Step Down Transformer

CORD	WARRANTY
BLANK None MCx/yW Metal Conduit (x = Length; 6,10,15) (y = # of conductors; 3,4,5,6)	BLANK 5 Year 10YR ⁵ 10 Year

SHIP WITH ACCESSORIES	
NURO8-V1 ^{4,7}	NUROAir Integrated Bluetooth Groupable Sensor
NURO-SW-3B-BA-BL-WP-V1	NUROAir Bluetooth 3-Key Wireless Battery Powered Wall Switch
NURO-SW-5B-BA-BL-WP-V1	NUROAir Bluetooth 5-Key Wireless Battery Powered Wall Switch
NURO-SW-7B-AC-BL-WP-V1	NUROAir Bluetooth 7-Key Line Voltage (AC 120-277V) Powered Wall Switch
+VSTxx SM	Surface Mount Kit (xx=size, 14, 22, or 24)
FLGKxx	Flange Mount Kit

FOOTNOTES

- ¹ CEC Title 20 Compliant
- ² Does not qualify for DLC
- ³ Not compatible with the Lumen selectable and CCT selectable functions
- ⁴ Easily Controlled via Mobile Phone with Bluetooth App
- ⁵ Contact factory for more details
- ⁶ Only available with VST14
- ⁷ Only available with VST22 and VST24
- ⁸ Long lead time item, please consult factory
- ⁹ Minimum ambient temperature of 32°F



VOLUMETRIC SELECTABLE TROFFER



QUICK SHIP ITEMS

PRODUCT	DESCRIPTION	UPC CODE
VST22-20L/40L-U-CCTS-G2-CR	2x2 Volumetric Select Troffer Kit, Gen 2, CCT & Power selectable, 2000/2500/3000/4000lm, Controls ready	790492388358
VST24-25L/50L-U-CCTS-G2-CR	2x4 Volumetric Select Troffer Kit, Gen 2, CCT & Power selectable, 2500/3000/4000/5000lm, Controls ready	790492388372
VST24-50L/80L-U-CCTS-G2-CR	2x4 Volumetric Select Troffer Kit, Gen 2, CCT & Power selectable, 5000/5500/6500/8000lm, Controls ready	790492388389

QUICK SHIP ACCESSORIES

NURO8-V1 ^{4,7}	NUROAir Integrated Bluetooth Groupable Sensor
NURO-SW-3B-BA-BLE-WP-V1	NUROAir Bluetooth 3-Key Wireless Battery Powered Wall Switch
NURO-SW-5B-BA-BLE-WP-V1	NUROAir Bluetooth 5-Key Wireless Battery Powered Wall Switch
NURO-SW-7B-AC-BLE-WP-V1	NUROAir Bluetooth 7-Key Line Voltage (AC 120-277V) Powered Wall Switch
+VSTxx SM	Surface Mount Kit (xx=size, 14, 22, or 24)
FLGKxx	Flange Mount Kit

FOOTNOTES

- ¹ CEC Title 20 Compliant
- ² Does not qualify for DLC
- ³ Not compatible with the Lumen selectable and CCT selectable functions
- ⁴ Easily Controlled via Mobile Phone with Bluetooth App
- ⁵ Contact factory for more details
- ⁶ Only available with VST14
- ⁷ Only available with VST22 and VST24
- ⁸ Long lead time item, please consult factory
- ⁹ Minimum ambient temperature of 32°F

LED SYSTEMS INFO

LED SYSTEMS INFO	Fixed Model Numbers	2700K		3000K		3500K		4000K		5000K		Watts ²
		Lumens	Efficacy	Lumens	Efficacy	Lumens	Efficacy	Lumens	Efficacy	Lumens	Efficacy	
VST14-20L/40L-U-CCTS-G2	20L	2051	147.8	2102	152.8	2150	158.2	2173	158.6	2153	155.0	14
	25L	2519	146.2	2582	151.2	2641	156.5	2668	156.9	2644	153.3	17
	30L	3007	143.9	3083	148.8	3153	154.1	3186	154.5	3157	150.9	21
	40L	3979	139.2	4079	143.9	4172	149.0	4215	149.4	4178	146.0	28
VST22-20L/40L-U-CCTS-G2-CR	20L	2006	149.0	2059	154.8	2110	160.6	2128	161.0	2115	158.1	13
	25L	2471	147.3	2536	153.0	2599	158.7	2622	159.1	2606	156.3	17
	30L	2943	145.3	3021	150.9	3095	156.5	3122	156.9	3104	154.1	20
	40L	3898	139.9	4002	145.4	4101	150.8	4136	151.1	4112	148.4	28
VST24-25L/50L-U-CCTS-G2-CR	25L	2739	157.6	2937	168.9	2993	174.5	3002	174.1	2977	170.9	17
	30L	3000	149.0	3115	155.8	3174	160.9	3183	160.5	3157	157.6	20
	40L	3989	141.1	4277	151.2	4358	156.2	4371	155.9	4335	153.0	28
	50L	4610	137.9	4942	147.8	5037	152.7	5051	152.4	5010	149.6	33
VST24-50L/80L-U-CCTS-G2-CR	50L	4610	137.9	4942	147.8	5037	152.7	5051	152.4	5010	149.6	33
	55L	5338	146.6	5648	157.1	5687	159.4	5773	161.4	5698	157.1	36
	65L	6223	143.7	6584	154.0	6630	156.2	6731	158.2	6642	154.0	43
	80L	7701	137.8	8149	147.6	8205	149.7	8330	151.7	8221	147.6	55

¹ Values are nominal, see IES file for more detail
² Electrical data at 25C (77F). Actual wattage may differ by +/-10%



VOLUMETRIC SELECTABLE TROFFER

ADVANCED CONTROLS OPTIONS

NUROAir by ILLUMUS

NURO

NUROAir Integrated Sensor is the optimal groupable controls lighting solution. With main features such as Passive Infrared (PIR), Occupancy, and Daylight Harvesting - this flexibility makes the NUROAir Integrated Sensor ideal for tailoring lighting to specific space needs, optimizing both ambiance and efficiency. The NUROAir App, available for download on iOS and Google Play Store, offers a user-friendly interface for customization of your space. Through the app, users can configure sensor settings such as the Light Output, CCT output, Hold Time, Standby Time/Level, High/Low End Trim, set schedules, and control lighting groups or zones, all from a mobile or tablet device.

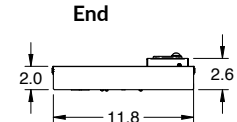
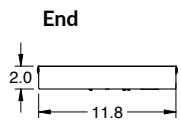
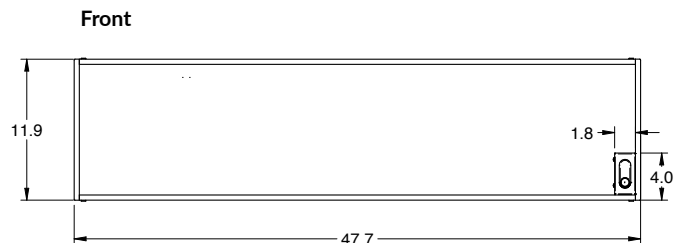
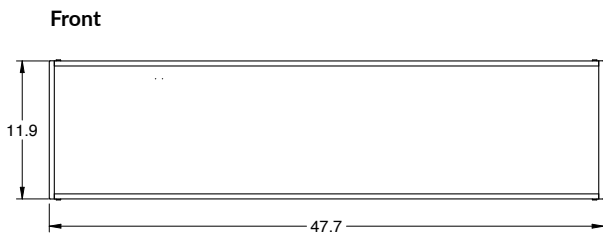
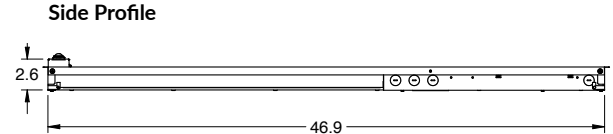
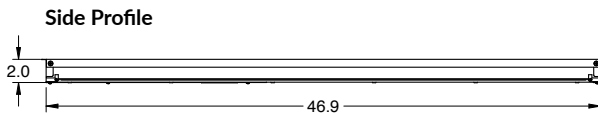
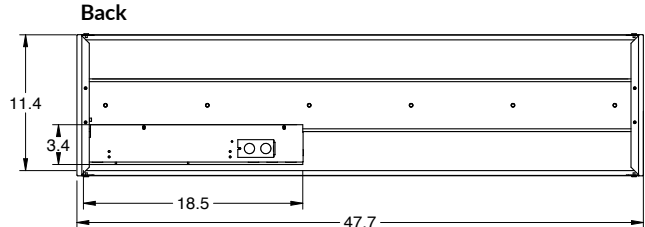
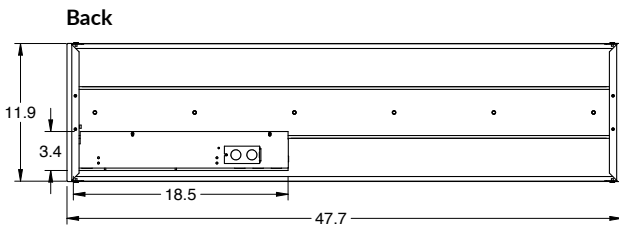


Click Here or Scan Code to Learn More About
NUROAir Bluetooth Controls

LINE DRAWINGS

VST14

VST14 with Sensor Installed



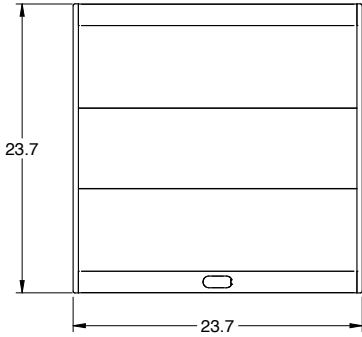


VOLUMETRIC SELECTABLE TROFFER

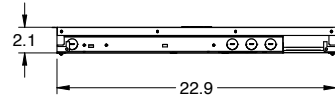
LINE DRAWINGS (Continued)

VST22

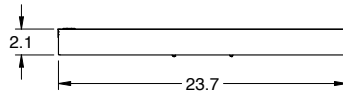
Front



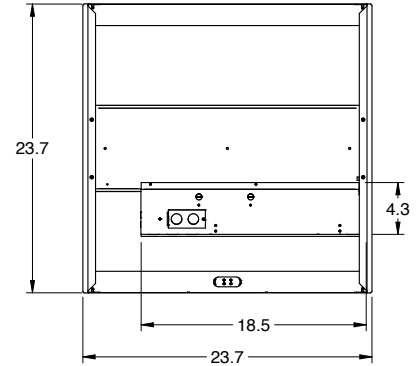
Side Profile



End

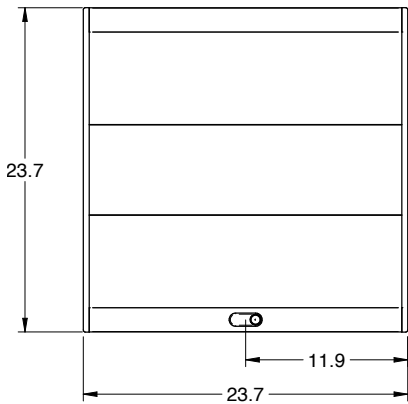


Back

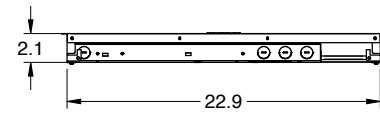


VST22 with Sensor Installed

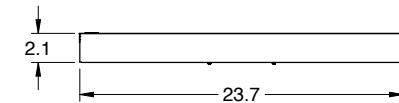
Front



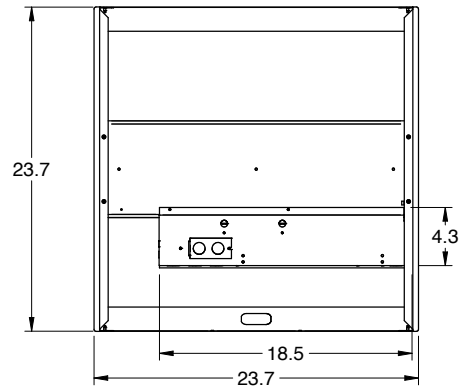
Side Profile



End

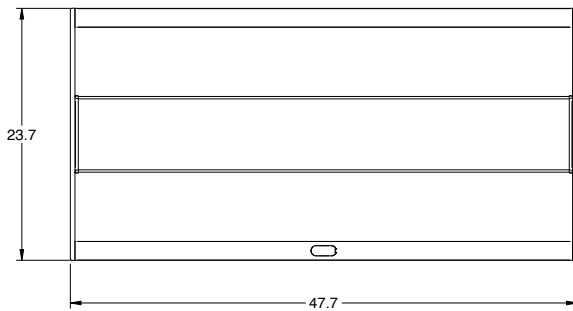


Back

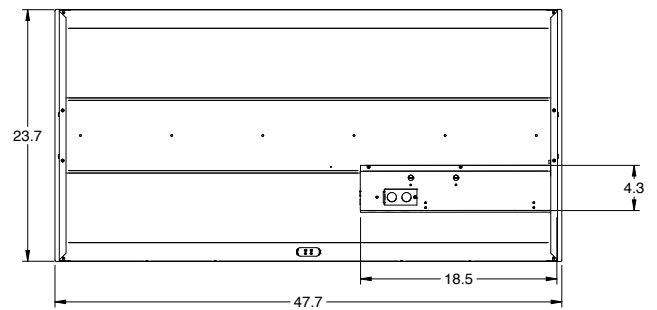


VST24

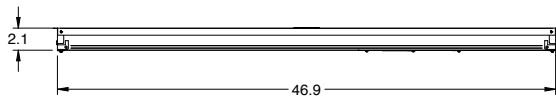
Front



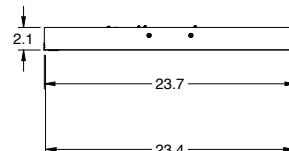
Back



Side Profile



End



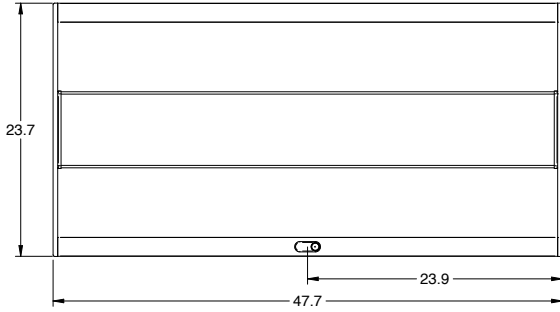


VOLUMETRIC SELECTABLE TROFFER

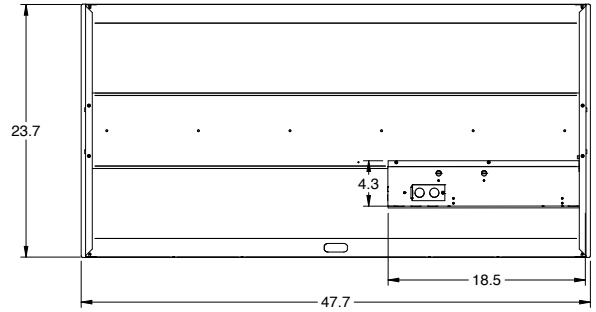
LINE DRAWINGS (Continued)

VST24 with Sensor Installed

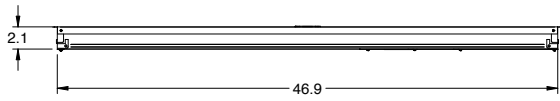
Front



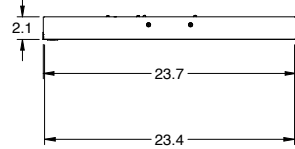
Back



Side Profile



End



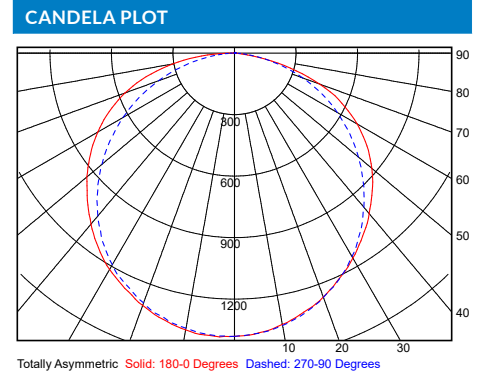


VOLUMETRIC SELECTABLE TROFFER

PHOTOMETRIC DATA

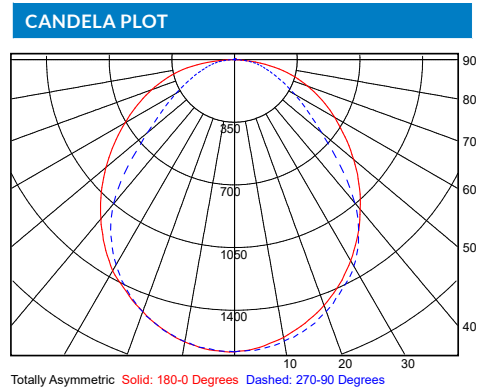
LUMINAIRE DATA	
Part Number	VST14-20L/40L-U-CCTS-G2
Description	1x4 Volumetric Selectable Troffer, 4000lm, 4000K
Fixture Lumens (lm)	2172 lm
Wattage (W)	13.7 W
Efficacy (lm/W)	159 lm/W
Mounting	Recessed

ZONAL LUMEN SUMMARY		
Zone	Lumens (lm)	% Fixture
0° - 40°	12	42%
0° - 60°	1644	76%
0° - 90°	2171	97%
90° - 180°	2	0.1%
0° - 180°	2172	100%



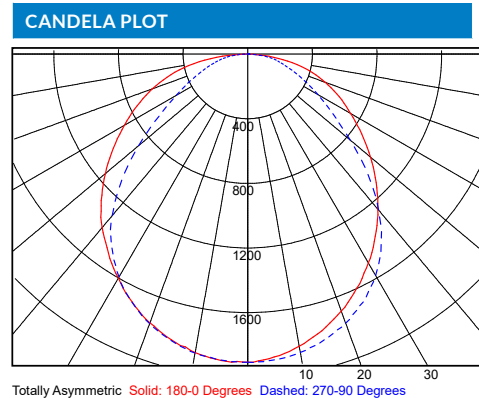
LUMINAIRE DATA	
Part Number	VST22-20L/40L-U-CCTS-G2-CR
Description	2x2 Volumetric Selectable Troffer, 4000lm, 4000K
Fixture Lumens (lm)	4135 lm
Wattage (W)	27.37 W
Efficacy (lm/W)	151 lm/W
Mounting	Recessed

ZONAL LUMEN SUMMARY		
Zone	Lumens (lm)	% Fixture
0° - 40°	2005	14%
0° - 60°	3339	81%
0° - 90°	4131	100%
90° - 180°	4	0.1%
0° - 180°	4135	100%



LUMINAIRE DATA	
Part Number	VST24-25L/50L-U-CCTS-G2-CR
Description	2x4 Volumetric Selectable Troffer, 5000lm, 4000K
Fixture Lumens (lm)	5050 lm
Wattage (W)	33.15 W
Efficacy (lm/W)	152 lm/W
Mounting	Recessed

ZONAL LUMEN SUMMARY		
Zone	Lumens (lm)	% Fixture
0° - 40°	2368	46%
0° - 60°	4012	79%
0° - 90°	5046	100%
90° - 180°	5	0.1%
0° - 180°	5050	100%



LUMINAIRE DATA	
Part Number	VST24-50L/80L-U-CCTS-G2-CR
Description	2x4 Volumetric Selectable Troffer, 8000lm, 4000K
Fixture Lumens (lm)	8329 lm
Wattage (W)	54.92 W
Efficacy (lm/W)	152 lm/W
Mounting	Recessed

ZONAL LUMEN SUMMARY		
Zone	Lumens (lm)	% Fixture
0° - 40°	3936	47%
0° - 60°	6641	78%
0° - 90°	8320	100%
90° - 180°	9	0.1%
0° - 180°	8329	100%

