



PRODUCT
OVERVIEW



SCAN OR
CLICK HERE

FEATURES

- Available in 1x4, 2x2, & 2x4 Sizes with a Lumen Range from 2,000 to 5,000 Lumens
- CCT and Lumen Field Selectable, with optional factory pre-set selections for customized ambiance and application
- High Efficacy (Up to 160 LPW) provides lower operational costs compared to traditional fluorescent fixtures
- Controls ready interface with NUROAir System

DIGITAL NAVIGATION

Explore the spec sheet through the links below

[ORDERING GUIDE](#)

[QUICK SHIP](#)

[LED SYSTEMS TABLE](#)

[CONTROLS](#)

[LINE DRAWINGS](#)

[PHOTOMETRIC DATA](#)



SUITABLE APPLICATIONS

- Education
- Commercial Offices
- Storage Facility
- Healthcare Facilities
- Retail

CERTIFICATIONS



SPECIFICATIONS

CONSTRUCTION

A Post Painted Sleek Steel housing body for rigidity, durability, and ease of installation. Designed for maximum rigidity and durability. One-piece unit with two universal mounting brackets for quick and easy installation into grid.

ELECTRICAL

Class 2 LED light engine for high efficacy and long life. Calculated L70 > 100,000 hrs. LED Lumen Maintenance Estimates based on TM-21 projections for the light source at 25°C ambient. Power Factor > 0.90. Standard 120-277 Vac 0-10V dimmable (10%-100%). Optional emergency battery backups available to meet critical life safety lighting requirements.

TROFFER COMPATIBILITY & INSTALLATION

VTK is designed to fit into most existing parabolic and lensed troffers with a housing depth of 3 1/8" or greater. ILP recommends a test installation prior to ordering project quantities. Contact factory for additional troffer compatibility confirmation. One-piece door frame light engine with two universal mounting brackets for easy installation. See page 3 for step-by-step troffer kit installation instructions.

CONTROLS

Factory and field installable sensor options available to maximize energy savings. View controls page for more detail (pg.4). Inquire with manufacturer for additional controls options.

CERTIFICATIONS

ETL Listed to US and Canadian safety standards. Suitable for damp locations. Title24 Compliant with sensor option; see local ordinance for qualification information.

WARRANTY

5 Year Warranty Standard; 10 Year Warranty Optional ([Terms and Conditions apply](#)).

CERTIFICATIONS

ETL Listed to US and Canadian safety standards. DLC (DesignLights Consortium) Premium Qualified. Please refer to the DLC Qualified Products List at www.Designlights.org/QPL to confirm specific product qualifications.



ORDERING GUIDE

PART #

Example: VTK22-20L/40L-U-CCTS-G2-CR

SERIES	LUMENS	DRIVER	CCT	GENERATION	CONTROLS READY
VTK14 1x4 Volumetric Troffer Kit	20L/40L 20L/25L/30L/40L - Lumen Selectable 20L 2,000 lm 25L 2,500 lm 30L 3,000 lm 40L 4,000 lm	U 120-277V	CCTS Selectable CCT (2700K, 3000K, 3500K, 4000K, 5000K) 27 2700K 30 3000K 35 3500K 40 4000K 50 5000K	G2 Gen 2	BLANK ² Not Controls Ready CR ⁴ Controls Ready
VTK22 2x2 Volumetric Troffer Kit	20L/40L 20L/25L/30L/40L - Lumen Selectable 20L 2,000 lm 25L 2,500 lm 30L 3,000 lm 40L 4,000 lm				
VTK24 2x4 Volumetric Troffer Kit	25L/50L 25L/30L/40L/50L - Lumen Selectable 25L 2,500 lm 30L 3,000 lm 40L 4,000 lm 50L 5,000 lm				

EMERGENCY	
BLANK	None
EM5	5W Battery Backup
EM5/HE	5W Battery Backup CEC Title 20 Compliant
EM7	7W Battery Backup
EM7/HE	7W Battery Backup CEC Title 20 Compliant
EM10	10W Battery Backup
EM10/HE	10W Battery Backup CEC Title 20 Compliant
EM10/HE/SD	10W Self-Diagnosing Battery Backup CEC Title 20 Compliant
EM15	15W Battery Backup
DTS	UL924 Dimming Transfer Switch

CONTROLS	
ADVANCED	
BLANK	None
NURO ^{1,2}	NUROAir Integrated Groupable Sensor

WARRANTY	
BLANK	5 Year
10YR ³	10 Year

SHIP WITH ACCESSORIES	
NURO8-V1 ^{1,4}	NUROAir Integrated Bluetooth Groupable Sensor
NURO-SW-3B-BA-BL-WP-V1	NUROAir Bluetooth 3-Key Wireless Battery Powered Wall Switch
NURO-SW-5B-BA-BL-WP-V1	NUROAir Bluetooth 5-Key Wireless Battery Powered Wall Switch
NURO-SW-7B-AC-BL-WP-V1	NUROAir Bluetooth 7-Key Line Voltage (AC 120-277V) Powered Wall Switch

FOOTNOTES

¹ Easily Controlled via Mobile Phone with Bluetooth App

² Only available with VTK14

³ Contact Factory for more details

⁴ Only available with VTK22 and VTK24



QUICK SHIP ITEMS

PRODUCT	DESCRIPTION	UPC CODE
VTK22-20L/40L-U-CCTS-G2-CR	2x2 Volumetric Troffer Kit, Gen 2, CCT & Power selectable, 2000/2500/3000/4000lm, Controls Ready	790492388402
VTK24-25L/50L-U-CCTS-G2-CR	2x4 Volumetric Troffer Kit, Gen 2, CCT & Power selectable, 2500/3000/4000/5000lm, Controls Ready	790492388419

For Quick Ship, orders must be placed in quantities of two

LED SYSTEMS INFO

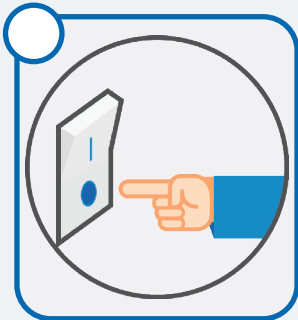
SYSTEMS INFO ^{1,2,3}	Lumen Package	2700K CCT		3000K CCT		3500K CCT		4000K CCT		5000K CCT		Watts ²	DLC
		Lumens	LPW	Lumens	LPW	Lumens	LPW	Lumens	LPW	Lumens	LPW		
VTK14-20L/40L-U-CCTS-G2	20L	2037	150.1	2083	155.0	2124	160.0	2137	159.9	2106	155.5	14	Premium
	25L	2514	148.3	2570	153.1	2621	158.1	2637	158.0	2598	153.6	17	Premium
	30L	2998	146.2	3065	150.9	3126	155.8	3145	155.7	3106	151.4	21	Premium
	40L	3973	141.2	4062	145.8	4143	150.6	4168	150.4	4107	146.3	28	Premium
VTK22-20L/40L-U-CCTS-G2-CR	20L	2074	149.1	2121	154.0	2163	159.0	2176	158.8	2144	154.5	14	Premium
	25L	2550	147.2	2607	151.9	2659	156.9	2675	156.7	2636	152.5	17	Premium
	30L	3036	145.0	3104	149.7	3166	154.6	3185	154.4	3138	150.2	21	Premium
	40L	3870	143.3	4152	155.1	4240	160.5	4218	158.8	4232	147.5	29	Premium
VTK24-25L/50L-U-CCTS-G2-CR	25L	2431	148.5	2486	153.3	2536	158.3	2551	158.2	2513	153.9	16	Premium
	30L	3000	150.0	3150	158.9	3219	164.5	3225	164.0	3870	143.3	19	Premium
	40L	3870	143.3	3957	147.9	4036	152.8	4061	152.6	4001	148.5	27	Premium
	50L	4599	142.0	4934	153.7	5038	159.0	5011	157.4	5022	155.7	32	Premium

¹LED Chips are frequently updated therefore values are nominal

³ Ambient Temperature range is -4°F - 104°F for all models

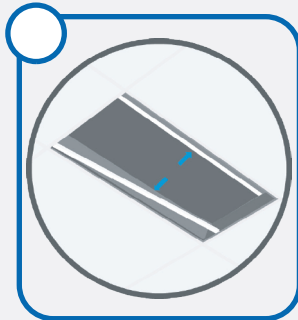
²Electrical data at 25°C (77°F) 120V. Actual wattage may differ by +/-10%.

INSTALLATION INSTRUCTIONS



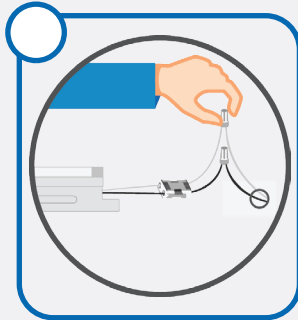
STEP 1

Shut off or disconnect power to the fixture.



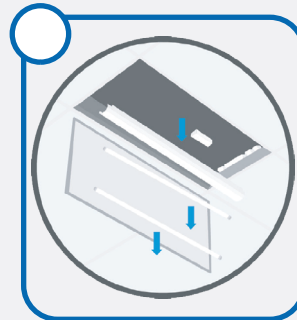
STEP 3

Gently lift the original housing and insert the brackets between the housing and the T-grid. Allow the housing to rest on the brackets, securing them in place. Optional tether included on the mounting brackets to secure the kit to the housing.



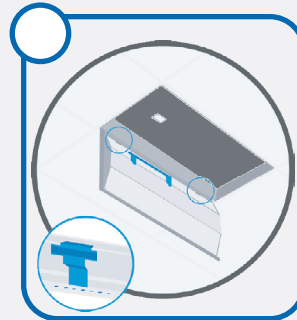
STEP 5

Connect the VTK to AC power and ground.



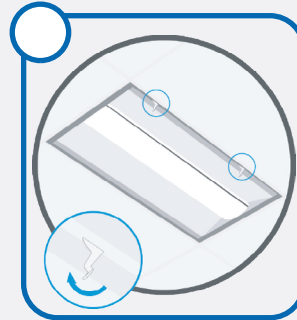
STEP 2

Remove existing fluorescent lamps and components, then disconnect existing connections to the fluorescent ballast.



STEP 4

Hang the VTK body by hooking the T-hinges into the respective slots in the bracket.



STEP 6

Rotate the VTK body up into the fixture and close the latches. Turn on or reconnect power to the fixture to complete the installation.



ADVANCED CONTROLS OPTIONS

NUROAir by ILLUMUS

NURO

NUROAir Integrated Bluetooth Sensor is the optimal groupable controls lighting solution. With main features such as PIR Motion Sensing, Occupancy/Vacancy, Bi-Level Dimming and Daylight Harvesting - this flexibility makes the NUROAir Integrated Sensor ideal for tailoring lighting to specific space needs, optimizing both ambiance and efficiency. The NUROAir App, available for download on iOS and Google Play Store, offers a user-friendly interface for automatic or manual customization of your space. Through the app, users can configure sensor settings such as the Light Output, CCT, Hold Time, Standby Time/Level, High/Low End Trim, Background Light Level, Set Schedules, and Control Lighting Groups or Zones, all from a mobile or tablet device. Manual control is also available with a range of compatible wireless & wired wall switch options.



POWERED BY ILLUMUS. BRANDS

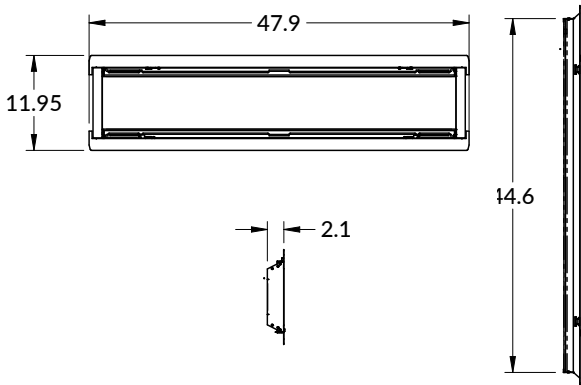


[Click Here or Scan Code to Learn More About](#)

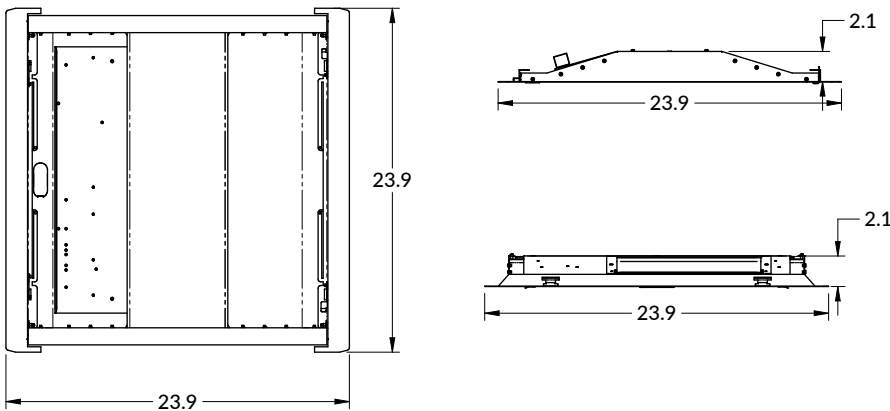
NUROAir Bluetooth Controls

LINE DRAWINGS

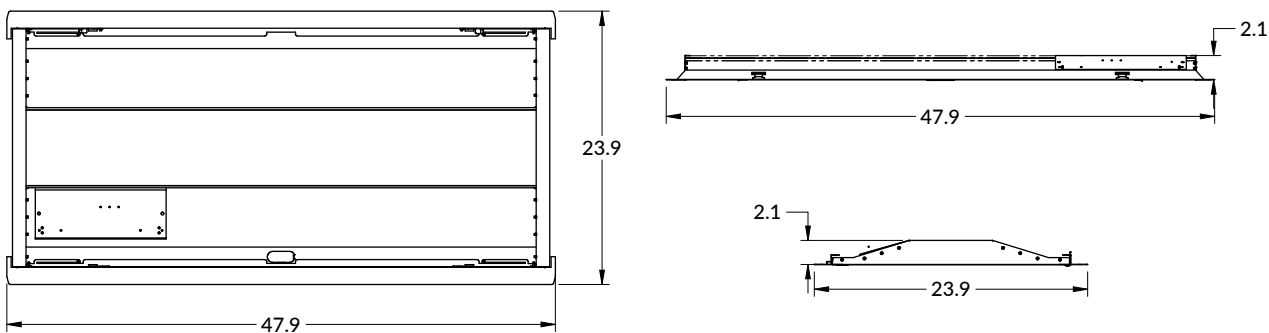
VTK 1x4



VTK 2x2



VTK 2x2





PHOTOMETRIC DATA

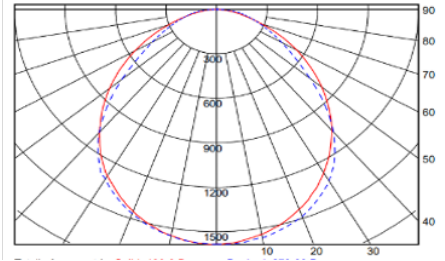
LUMINAIRE DATA

Part Number	VTK14-20L/40L-U-CCTS-G2
Description	1x4 Volumetric Troffer Kit, Gen 2, CCT & Power selectable, 2000/2500/3000/4000lm
Fixture Lumens (lm)	3975 lm
Wattage (W)	28.14 W
Efficacy (lm/W)	141.3 lm/W

ZONAL LUMEN SUMMARY

Zone	Lumens (lm)	% Fixture
0° - 40°	1971.5	49.6%
0° - 60°	3298.5	83.0%
0° - 90°	3969.8	99.9%
90° - 180°	5.2	0.1%
0° - 180°	3975	100.0%

CANDELA PLOT



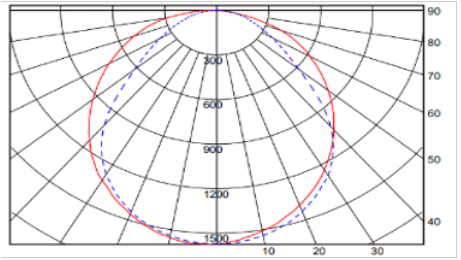
LUMINAIRE DATA

Part Number	VTK22-20L/40L-U-CCTS-G2-CR
Description	2x2 Volumetric Troffer Kit, Gen 2, CCT & Power selectable, 2000/2500/3000/4000lm, Controls Ready
Fixture Lumens (lm)	4014.8 lm
Wattage (W)	28.72 W
Efficacy (lm/W)	139.79 lm/W

ZONAL LUMEN SUMMARY

Zone	Lumens (lm)	% Fixture
0° - 40°	1934.7	48.2%
0° - 60°	3235.8	80.6%
0° - 90°	4006.9	99.8%
90° - 180°	7.8	0.2%
0° - 180°	4014.8	100.0%

CANDELA PLOT



LUMINAIRE DATA

Part Number	VTK24-25L/50L-U-CCTS-G2-CR
Description	2x4 Volumetric Troffer Kit, Gen 2, CCT & Power selectable, 2500/3000/4000/5000lm, Controls Ready
Fixture Lumens (lm)	4602.8 lm
Wattage (W)	32.35 W
Efficacy (lm/W)	142.28 lm/W

ZONAL LUMEN SUMMARY

Zone	Lumens (lm)	% Fixture
0° - 40°	2162.3	47.0%
0° - 60°	3671.6	79.8%
0° - 90°	4597.1	99.9%
90° - 180°	5.7	0.1%
0° - 180°	4602.8	100.0%

CANDELA PLOT

