



viewpoint
WALL PACK 2.0

PRODUCT
OVERVIEW



SCAN OR
CLICK HERE

FEATURES

- Provides uniform, full-cutoff illumination with electronic distribution selectable Type 2, Type 3, and Type 4 IES types to enhance site visibility while minimizing light pollution.
- Offers flexible customization with CCT and lumen selectable options, accommodating various lighting needs in a single fixture.
- Built-in Electronic photocell provides dusk to dawn illumination. Delivers reliable performance in harsh environments with IP65-rated, die-cast aluminum construction and a durable powder coat finish.
- Simplifies installation with quick mount bracket with integrated hanging mechanism and bubble level, multiple conduit entry points, and compatibility with standard junction boxes for quick setup.
- Supports advanced control options including bluetooth mesh network controls that feature grouping, scheduling, bi-level dimming, and more.

DIGITAL NAVIGATION

Explore the spec sheet through the links below

[ORDERING GUIDE](#)

[QUICK SHIP](#)

[LED SYSTEMS TABLE](#)

[AMBIENT TEMP. RANGE](#)

[CONTROLS](#)

[OPTIONS](#)

[LINE DRAWINGS](#)

[PHOTOMETRIC DATA](#)



SUITABLE APPLICATIONS

- Exterior Wall Lighting
- Building Entrances
- Pedestrian Walkways
- Multi-use Facilities
- Industrial Facilities
- Parking Lots
- Storage Facilities
- Education
- Multi-Family
- Retail
- Office

CERTIFICATIONS



SPECIFICATIONS

CONSTRUCTION

The Viewpoint Wall Pack series features an architectural rectilinear wedge shape with die-cast aluminum construction. The VWM is protected with a durable Bronze polyester powder coat finish to withstand extreme weather changes without cracking or peeling with optional wet paint Black, White, Natural Aluminum, and Silver finishes (Consult factory for pricing & availability of alternate finishes). The recessed LED source allows for a full cutoff designation with no uplight and complies with DarkSky approved in 3000K color temperature. The fully gasketed housing is IP65 rated for ingress protection against moisture and environmental contaminants. A one-piece silicone gasket seals door and back box finish. Salt Spray tested for 500 hrs.

OPTICS

The isolated IP65 rated silicone gasket sealed optical chamber utilizes impact resistant and UV stabilized polycarbonate optics provide electronic selectable IES types T2, T3, T4 distributions selectable via side knockout switches. CCT Selectable via side knockout switches in 3000K, 4000K, & 5000K color temperatures per ANSI C78.377. Minimum CRI of 80. The VWM produces Zero uplight and is DarkSky approved in 3000K color temperature.

ELECTRICAL

High-performance driver features over-voltage, under-voltage, short circuit and over temperature protection. 0-10V dimming (10% - 100%) standard. Standard Universal Voltage (120-277 Vac) Input 50/60 Hz. L70 >100,000 hrs. in accordance of IESNA TM-21-19 Projected values at 25°C Ambient temperature. Total harmonic distortion: 0.90. Input power stays constant over life. Minimum 4kV surge rating meets Category C Low operation (per ANSI/IEEE C62.41.2). Additional protection is available in 10kV and 20kV options. Optional 120-277V battery backup & cold weather CEC title 20 Compliant emergency options provide 90 minutes of constant power to the LED system, ensuring code compliance.

THERMAL

The VWM features an array of High-efficacy LED's mounted on a metal core circuit board. The LED boards are mounted directly to the cast aluminum housing with heat dissipating fins to provide excellent thermal performance extending the life of electronic components. Operating Ambient Temperature: -40°C to +40°C (-40°F to 104°F). Reduced fixture maximum ambient on emergency options, consult factory.

INSTALLATION

The Viewpoint Wall Pack features a universal quick mount bracket, allowing for effortless installation to standard 3.5" to 4" round/octagonal, 4" square, single gang, masonry junction boxes or vertical surface mounting (secured by four lag bolts (supplied by others)). Side 1/2" NPT conduit entry points allow for surface-conduit or thru-branch wiring. Back box is an authorized electrical wiring compartment. Fixture leads exit the back of the casting through a water-tight grommet. Integral selector allows for CCT, Lumen, & distribution allow for tuning to site requirements during installation. Out of the Box selections: CCT: 4000K, Lumen: Highest Output, Distribution: T3. Photocell: On.

CONTROLS

Base fixture includes a built-in photocell integrated into the side coin plug with integral quick connector to disconnect function. Sensor ready luminaire provides integrated PIR sensor options with on/off control, photocell capability, bi-level dimming, high-end trim, grouping, scheduling, and bluetooth configuration allows for on-site modifications. See page 4 for more details.

CERTIFICATIONS

UL Listed for wet locations to UL 1598 and UL 8750 standards. IP65 Rated per IEC 60598. Tested in accordance with IESNA LM-79 and LM-80 standards. RoHS Compliant. Title 24 Compliant; see local ordinance for qualification information.

WARRANTY

5 Year Warranty Standard; 10 Year Warranty Optional ([Terms and Conditions apply](#)).

ORDERING GUIDE

PART # **Example:** VWM2-8L/11L/14L-U-CCTS-DS-BRZ

SERIES	LUMENS	VOLTAGE	CCT	DISTRIBUTION	FINISH
VWS2 Viewpoint Wall Pack Small	3L/4L/5L 3L 4L 5L	U 120-277V	CCTS Selectable CCT (3000K, 4000K, 5000K)	DS Distribution Selectable T2, T3, T4	BRZ Bronze BLK¹ Black SLV¹ Silver WHT¹ White NAT¹ Natural Aluminum RALxxxx¹ Custom Color
VWM2 Viewpoint Wall Pack Medium	8L/11L/14L 8L 11L 14L				

EMERGENCY	CONTROLS OPTIONS	PROTECTION	WARRANTY
BLANK None EM9 5°C 9W CEC Title 20 Emergency EMCT8^{4,5} -20°C 8W CEC Title 20 Emergency	ADVANCED BLANK None NURO^{3,6} NUROAir Plug n Play Bluetooth Groupable Sensor	BLANK None FUSE/SXXX Fuse - Single-line Voltage (120V, 277V) FUSE/DXXX Fuse - Dual-line Voltage (208V, 240V) SP1 10KA Max 120-277V Surge Protector SP2 20KA Max 120-277V Surge Protector	BLANK 5 Year 10 Year² 10 Year

ACCESSORIES	
BLANK	None
+VW2-SBB/xxx⁶	Surface Back box (xxx=finish)

FOOTNOTES

¹ Bronze finish standard, Consult factory for pricing & availability of other finishes; subject to longer lead-times

⁶ Not Available with 8W Cold Temp EM (EMCT8)

² Requires additional surge protection (SP1, SP2); For additional details see general terms and conditions

³ Requires Bluetooth Enabled device for programming (provided by others)

⁴ Not available with VWS2

⁵ Uses SBB box as standard on this model



QUICK SHIP ITEMS

PRODUCT	DESCRIPTION	UPC CODE
VWS2-3L/4L/5L-U-CCTS-DS-BRZ	Viewpoint Wall Pack 2.0 Small, 3,000-4,000-5,000 Lumens, 3K/4K/5K Distribution Selectable, Bronze Finish	790492386859
VWM2-8L/11L/14L-U-CCTS-DS-BRZ	Viewpoint Wall Pack 2.0 Medium, 8,000-11,000-14,000 Lumens, 3K/4K/5K Distribution Selectable, Bronze Finish	790492386866

DARKSKY APPROVED ORDERING GUIDE

PART #

Example: VWM2-8L/11L/14L-U-30-DS-BRZ-IDA

SERIES	LUMENS	VOLTAGE	CCT	DISTRIBUTION	FINISH	CERTIFICATION
VWS2 Viewpoint Wall Pack Small	3L/4L/5L 3L 4L 5L	U 120-277V	30 3000K	DS Distribution Selectable T2, T3, T4	BRZ Bronze BLK ¹ Black SLV ¹ Silver WHT ¹ White NAT ¹ Natural Aluminum RALxxxx ¹ Custom Color	IDA DarkSky Approved
VWM2 Viewpoint Wall Pack Medium	8L/11L/14L 8L 11L 14L					

EMERGENCY	CONTROLS OPTIONS	PROTECTION	WARRANTY
BLANK None EM9 5°C 9W CEC Title 20 Emergency EMCT8 ^{4,5} -20°C 8W CEC Title 20 Emergency	ADVANCED BLANK None NURO ^{3,6} NUROAir Plug n Play Bluetooth Groupable Sensor	BLANK None FUSE/SXXX Fuse - Single-line Voltage (120V, 277V) FUSE/DXXX Fuse - Dual-line Voltage (208V, 240V) SP1 10KA Max 120-277V Surge Protector SP2 20KA Max 120-277V Surge Protector	BLANK 5 Year 10 Year ² 10 Year

ACCESSORIES	
BLANK	None
+VW2-SBB/xxx ⁶	Surface Back box (xxx=finish)

FOOTNOTES

¹ Bronze finish standard, Consult factory for pricing & availability of other finishes; subject to longer lead-times

⁶ Not Available with 8W Cold Temp EM (EMCT8)

² Requires additional surge protection (SP1, SP2); For additional details see general terms and conditions

³ Requires Bluetooth Enabled device for programming (provided by others)

⁴ Not available with VWS2

⁵ Uses SBB box as standard on this model

LED SYSTEMS INFO

LED SYSTEMS INFO ¹	LENS	3000K		4000K		5000K		WATTS ²
		Lumens	Efficacy	Lumens	Efficacy	Lumens	Efficacy	
VWS2-3L/4L/5L-U-CCTS	T2	5350	131.1	5775.2	142.5	5755.0	139.8	40.7
	T3	5368	131.6	5794.4	143.1	5774.1	140.3	
	T4	5225	129.0	5640.0	140.2	5620.3	137.6	
VWS2-3L-U-CCTS	T2	3235	133.4	3491.9	145.0	3479.6	142.2	24.2
	T3	3247	134.0	3504.8	145.6	3492.5	142.8	
	T4	3160	131.3	3411.5	142.7	3399.5	140.0	
VWS2-4L-U-CCTS	T2	3905	131.2	4215.0	142.6	4200.2	139.9	29.7
	T3	3919	131.8	4230.6	143.2	4215.8	140.5	
	T4	3815	129.1	4118.0	140.4	4103.5	137.7	
VWS2-5L-U-CCTS	T2	5350	131.1	5775.2	142.5	5755.0	139.8	40.7
	T3	5368	131.6	5794.4	143.1	5774.1	140.3	
	T4	5225	129.0	5640.0	140.2	5620.3	137.6	
VWM2-8L/11L/14L-U-CCTS	T2	13300	133.0	13675.4	141.8	13937.8	139.3	98.7
	T3	13262	132.8	13636.1	141.6	13897.8	139.1	
	T4	13124	131.5	13494.0	140.2	13752.5	137.7	
VWM2-8L-U-CCTS	T2	8310	138.9	8544.1	148.2	8708.1	145.6	59.0
	T3	8293	138.6	8527.4	147.8	8691.0	145.2	
	T4	8155	137.2	8384.7	146.3	8545.6	143.7	
VWM2-11L-U-CCTS	T2	10779	134.6	11083.1	143.5	11295.7	141.0	79.0
	T3	10758	134.2	11061.3	143.1	11273.6	140.6	
	T4	10578	132.9	10876.2	141.7	11084.9	139.2	
VWM2-14L-U-CCTS	T2	13300	133.0	13675.4	141.8	13937.8	139.3	98.7
	T3	13262	132.8	13636.1	141.6	13897.8	139.1	
	T4	13124	131.5	13494.0	140.2	13752.5	137.7	

¹Values are nominal, see IES file for more detail

²Electrical data at 25C (77F). Actual wattage may differ by +/-10%

ELECTRICAL DATA (AMPS)

Lumen Package	Wattage	120V	208V	240V	277V		
VWS2-3L/4L/5L-U-CCTS	40.7 W	0.339 A	0.196 A	0.17 A	0.147 A	0.117 A	0.085 A
VWS2-3L-U-CCTS	24.2 W	0.202 A	0.116 A	0.101 A	0.087 A	0.07 A	0.05 A
VWS2-4L-U-CCTS	29.7 W	0.248 A	0.143 A	0.124 A	0.107 A	0.086 A	0.062 A
VWS2-5L-U-CCTS	40.7 W	0.339 A	0.196 A	0.17 A	0.147 A	0.117 A	0.085 A
VWM2-8L/11L/14L-U-CCTS	98.7 W	0.823 A	0.475 A	0.411 A	0.356 A	0.284 A	0.206 A
VWM2-8L-U-CCTS	59 W	0.492 A	0.284 A	0.246 A	0.213 A	0.17 A	0.123 A
VWM2-11L-U-CCTS	79 W	0.658 A	0.38 A	0.329 A	0.285 A	0.228 A	0.165 A
VWM2-14L-U-CCTS	98.7 W	0.823 A	0.475 A	0.411 A	0.356 A	0.284 A	0.206 A

¹Electrical data at 25C (77F). Actual wattage may differ by +/-10%

CONTROLS OPTIONS

ADVANCED

NUROAir by ILLUMUS

NUROAir Plug n Play Bluetooth Sensor is the optimal groupable controls lighting solution. With main features such as Plug and Play, PIR Motion Sensing, Occupancy/Vacancy and Photocell (BLK) - this flexibility makes the NUROAir Plug n Play Sensor ideal for tailoring lighting to specific space needs, optimizing both ambiance and efficiency. The NUROAir App, available for download on iOS and Google Play Store, offers a user-friendly interface for automatic or manual customization of your space. Through the app, users can configure sensor settings such as the Light Output, CCT, Hold Time, Standby Time/Level, High/Low End Trim, Background Light Level, Set Schedules, and Control Lighting Groups or Zones, all from a mobile or tablet device. Manual control is also available with a range of compatible wireless & wired wall switch options.



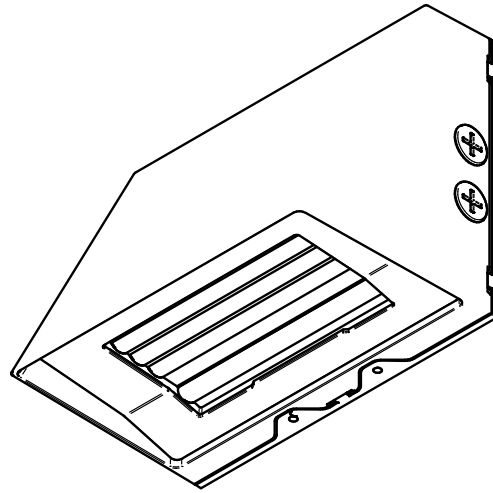
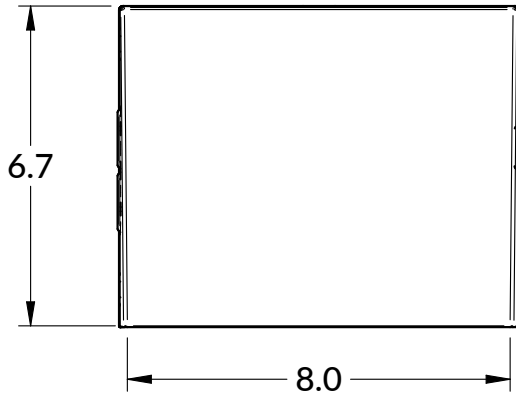
[Click Here or Scan Code to Learn More About](#)

NUROAir Bluetooth Controls

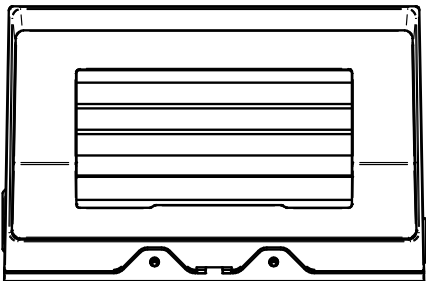
LINE DRAWINGS

VWS2

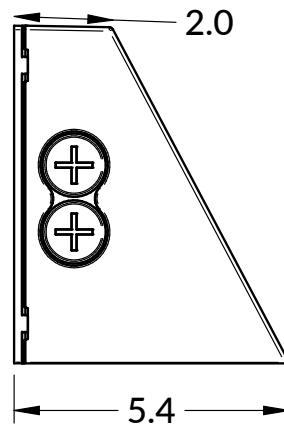
FRONT



BOTTOM



SIDE

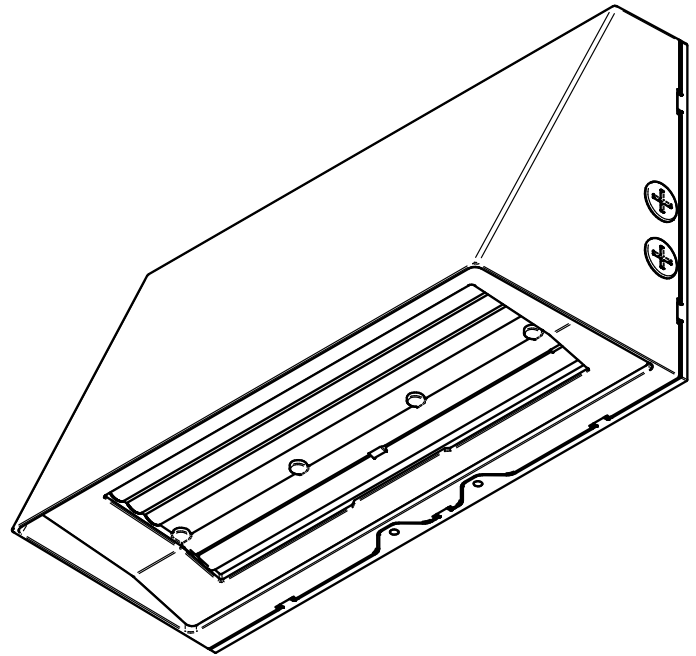
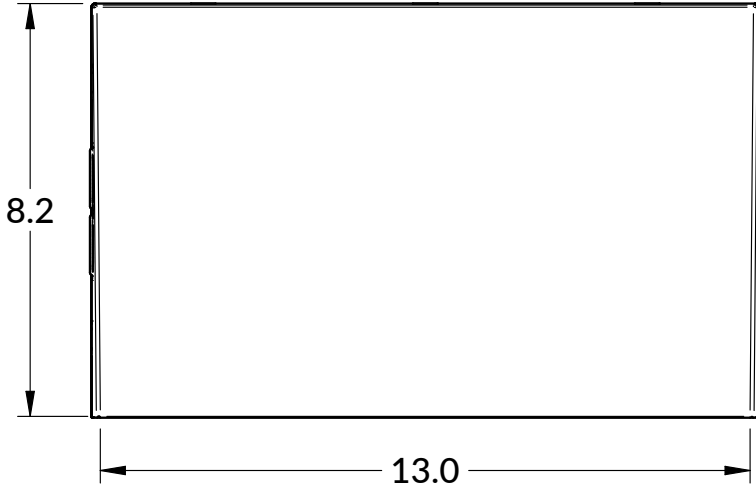




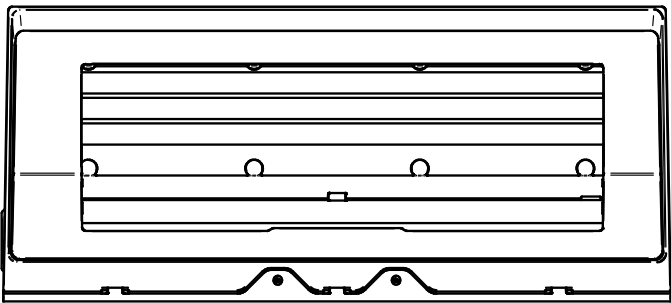
LINE DRAWINGS Continued

VWM2

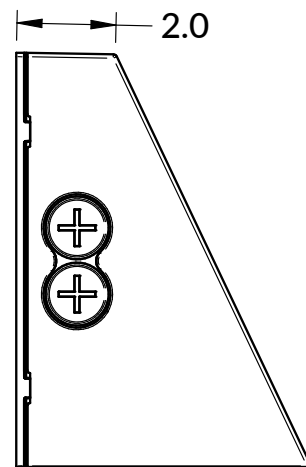
FRONT



BOTTOM



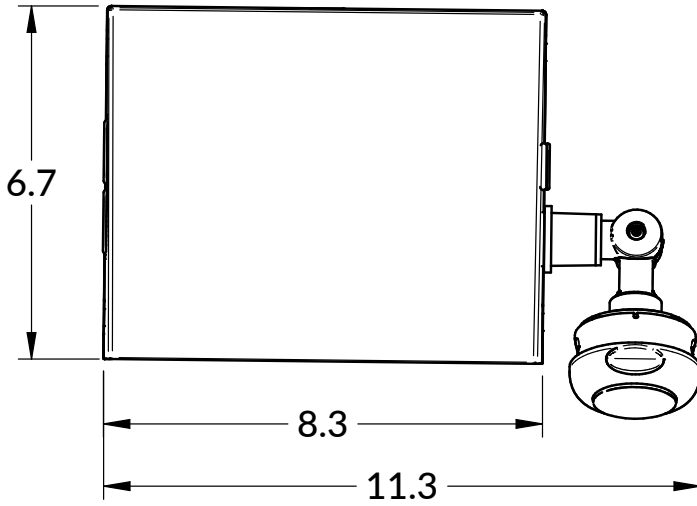
SIDE



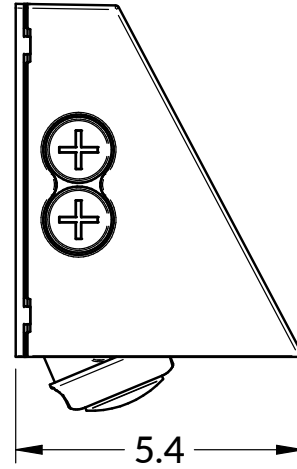
LINE DRAWINGS Continued

VWS2 with NURO

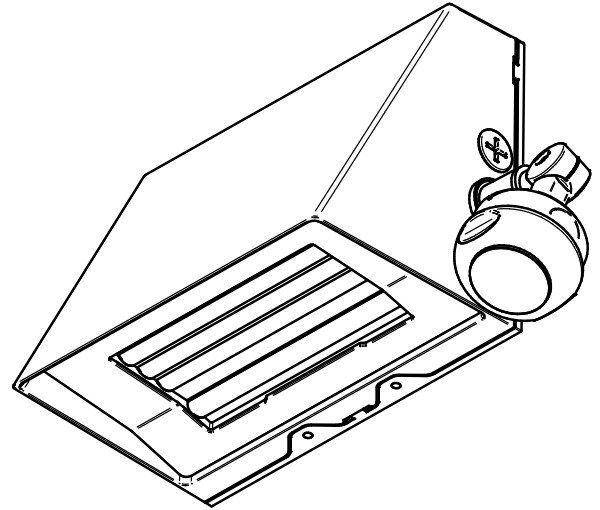
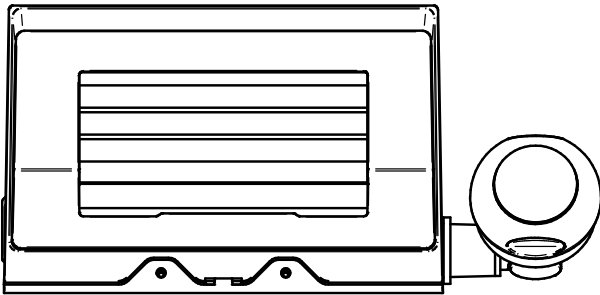
FRONT



SIDE



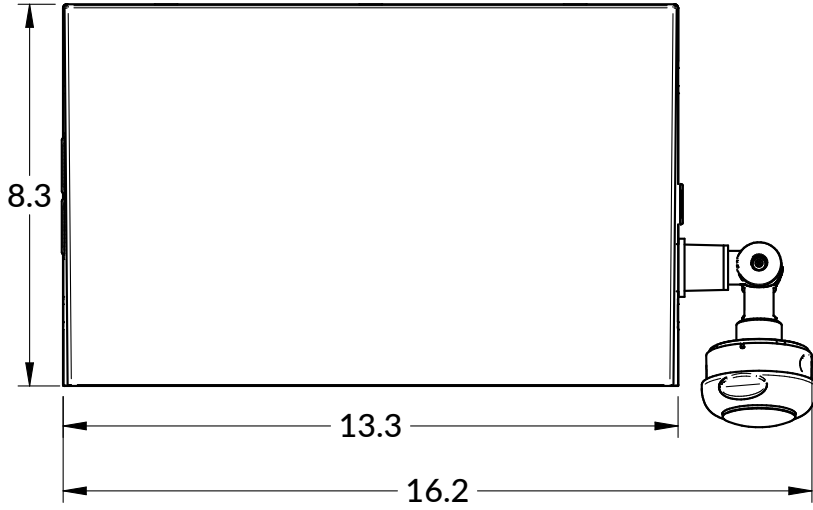
BOTTOM



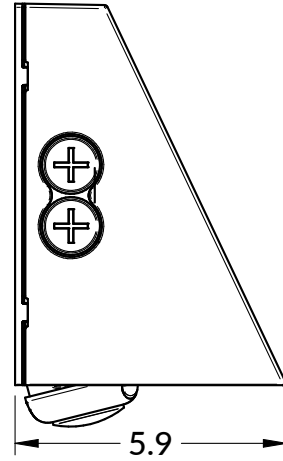
LINE DRAWINGS Continued

VWM2 with NURO

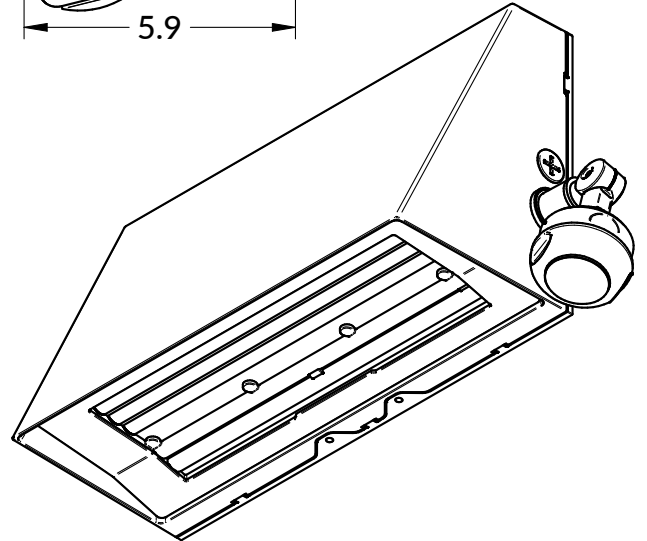
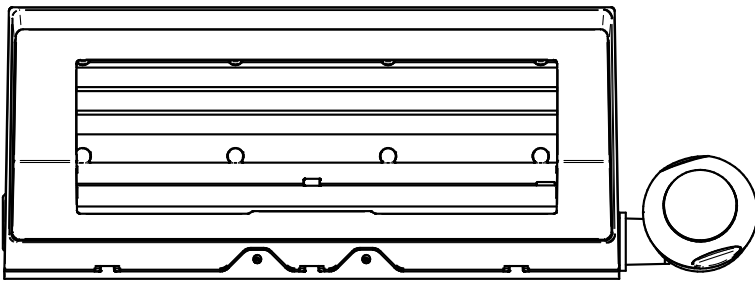
FRONT



SIDE



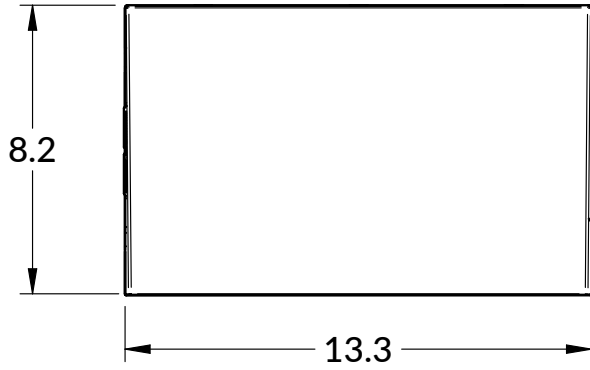
BOTTOM



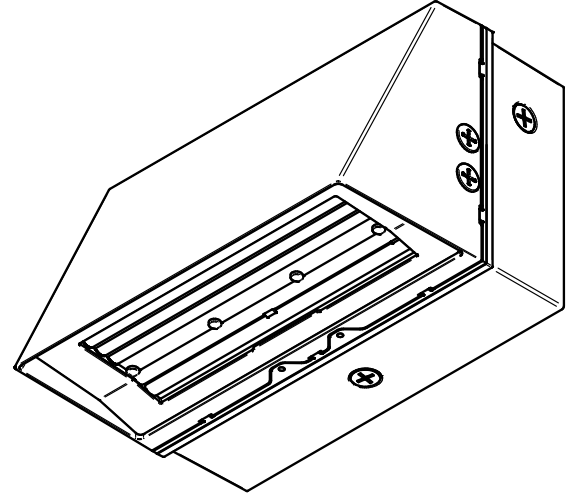
LINE DRAWINGS Continued

VWM2 with SBB Box

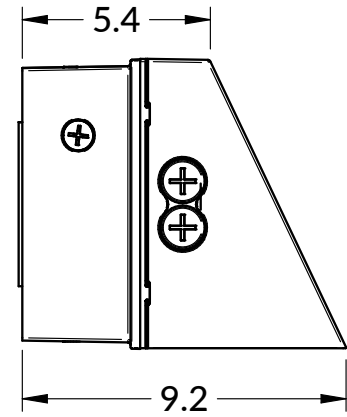
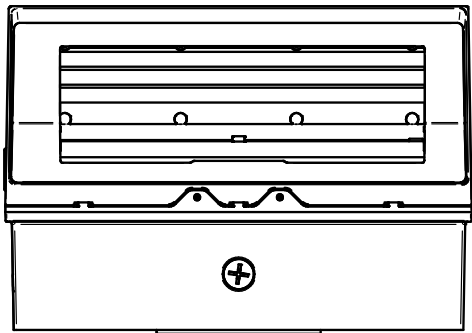
FRONT



SIDE



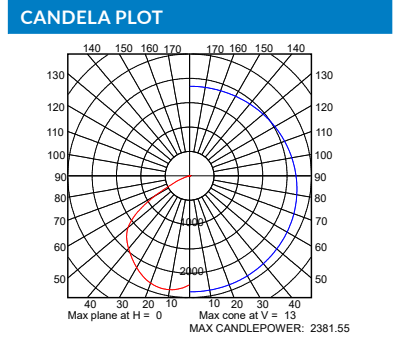
BOTTOM



PHOTOMETRIC DATA

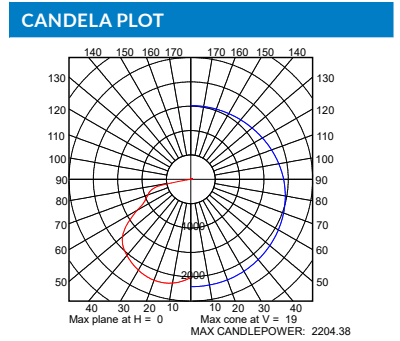
LUMINAIRE DATA	
Part Number	VWS2-3L/4L/5L-U-30-T2
Description	ViewPoint Wall Pack 2, Selectable 3,000/4,000/5,000 Lumens, 3000K CCT, Type 2 Optic
Fixture Lumens (lm)	5350 lm
Wattage (W)	40.8 W
Efficacy (lm/W)	131.13 lm/W
Mounting	Wall-Mounted
Spacing Criteria	N/A

ZONAL LUMEN SUMMARY		
Zone	Lumens (lm)	% Fixture
0° - 40°	2711 lm	51%
0° - 60°	4636 lm	87%
0° - 90°	5349 lm	100%
90° - 180°	0 lm	
0° - 180°	5349 lm	100%



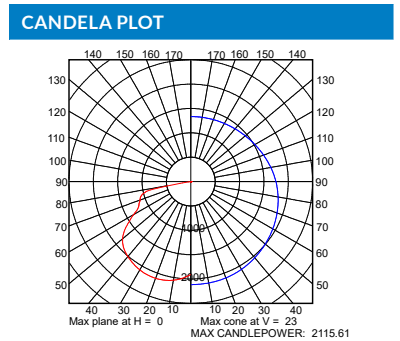
LUMINAIRE DATA	
Part Number	VWS2-3L/4L/5L-U-30-T3
Description	ViewPoint Wall Pack 2, Selectable 3,000/4,000/5,000 Lumens, 3000K CCT, Type 3 Optic
Fixture Lumens (lm)	5368 lm
Wattage (W)	40.78 W
Efficacy (lm/W)	131.63 lm/W
Mounting	Wall-Mounted
Spacing Criteria	N/A

ZONAL LUMEN SUMMARY		
Zone	Lumens (lm)	% Fixture
0° - 40°	2514 lm	47%
0° - 60°	4384 lm	82%
0° - 90°	5367 lm	100%
90° - 180°	0 lm	0%
0° - 180°	5367 lm	100%



LUMINAIRE DATA	
Part Number	VWS2-3L/4L/5L-U-30-T4
Description	ViewPoint Wall Pack 2, Selectable 3,000/4,000/5,000 Lumens, 3000K CCT, Type 4 Optic
Fixture Lumens (lm)	5225 lm
Wattage (W)	40.5 W
Efficacy (lm/W)	129.01 lm/W
Mounting	Wall-Mounted
Spacing Criteria	N/A

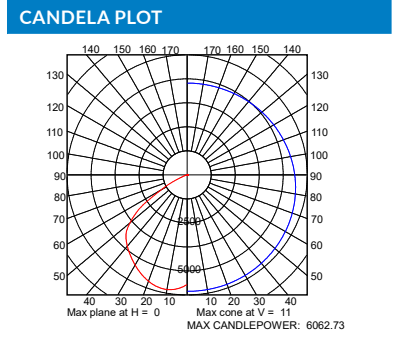
ZONAL LUMEN SUMMARY		
Zone	Lumens (lm)	% Fixture
0° - 40°	2398 lm	28%
0° - 60°	4203 lm	81%
0° - 90°	5224 lm	100%
90° - 180°	0 lm	0%
0° - 180°	5224 lm	100%



PHOTOMETRIC DATA

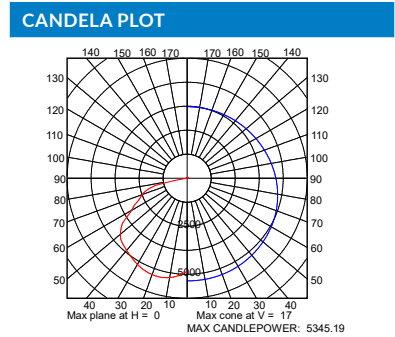
LUMINAIRE DATA	
Part Number	VWM2-8L/11L/14L-U-30-T2
Description	ViewPoint Wall Pack, Selectable 8,000/11,000/14,000 Lumens, 3000K CCT, Type 2 Optic
Fixture Lumens (lm)	13373.4 lm
Wattage (W)	100.46 W
Efficacy (lm/W)	133.12 lm/W
Mounting	Wall-Mounted
Spacing Criteria	N/A

ZONAL LUMEN SUMMARY		
Zone	Lumens (lm)	% Fixture
0° - 40°	6819 lm	32%
0° - 60°	11560 lm	87%
0° - 90°	13371 lm	100%
90° - 180°	0 lm	
0° - 180°	13371 lm	100%



LUMINAIRE DATA	
Part Number	VWM2-8L/11L/14L-U-30-T3
Description	ViewPoint Wall Pack, Selectable 8,000/11,000/14,000 Lumens, 3000K CCT, Type 3 Optic
Fixture Lumens (lm)	13262 lm
Wattage (W)	99.88 W
Efficacy (lm/W)	132.78 lm/W
Mounting	Wall-Mounted
Spacing Criteria	N/A

ZONAL LUMEN SUMMARY		
Zone	Lumens (lm)	% Fixture
0° - 40°	6046 lm	46%
0° - 60°	10615 lm	80%
0° - 90°	13260 lm	100%
90° - 180°	0 lm	0%
0° - 180°	13260 lm	100%



LUMINAIRE DATA	
Part Number	VWM2-8L/11L/14L-U-30-T4
Description	ViewPoint Wall Pack, Selectable 8,000/11,000/14,000 Lumens, 3000K CCT, Type 4 Optic
Fixture Lumens (lm)	13123.5 lm
Wattage (W)	99.83 W
Efficacy (lm/W)	131.46 lm/W
Mounting	Wall-Mounted
Spacing Criteria	N/A

ZONAL LUMEN SUMMARY		
Zone	Lumens (lm)	% Fixture
0° - 40°	5695 lm	27%
0° - 60°	10148 lm	77%
0° - 90°	13122 lm	100%
90° - 180°	0 lm	0%
0° - 180°	13122 lm	100%

