

# RB5

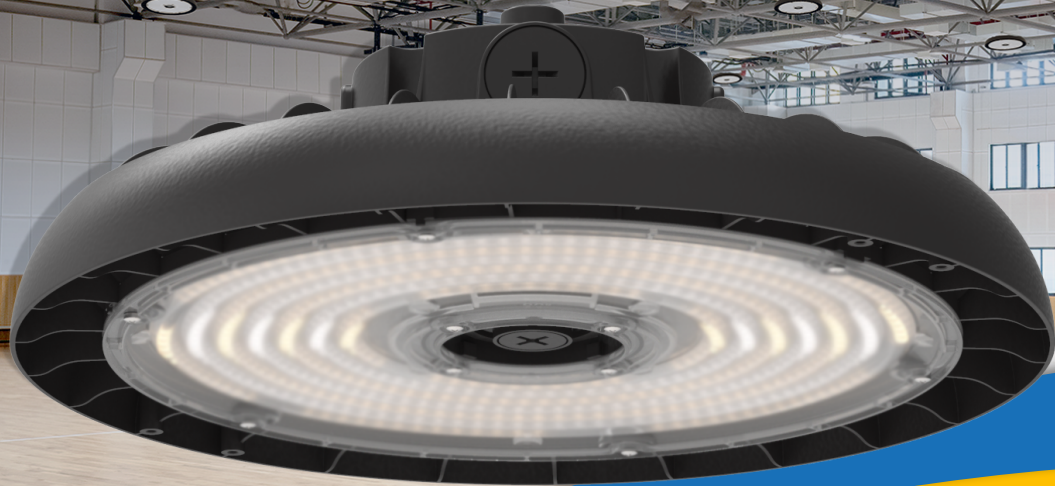
ROUND HIGH BAY



LUMEN   
SELECTABLE

CCT   
SELECTABLE

IP65  
Low Water Jet  
Dustproof



VERSATILITY IN EVERY BEAM

# FEATURES



IP65 Rated and NSF Listed Round High Bay

14,000 – 36,000 Lumens with lumen selectable options

0-10V Dimmable Driver (100% - 10%)

Calculated L70 >100,000 Hours at 25°C per TM-21-11

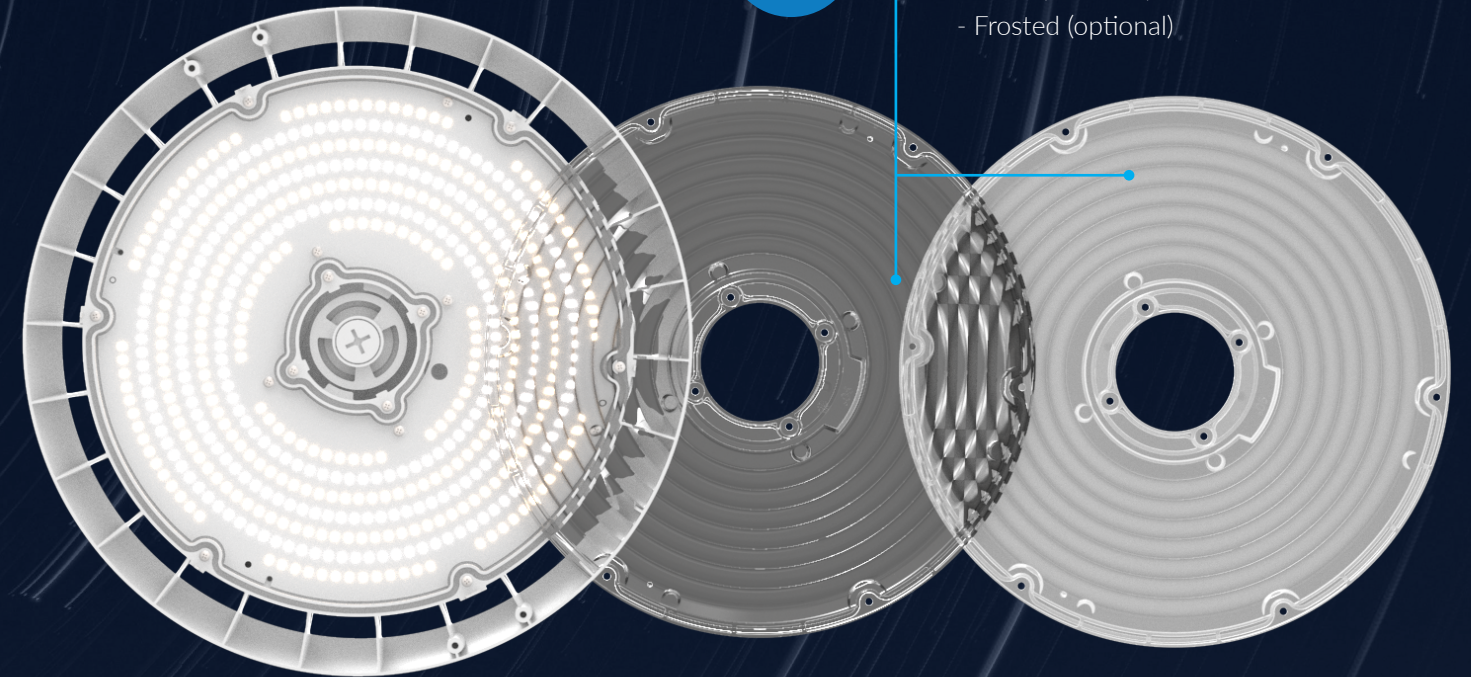
Ambient Temperature Range -40°F - 122°F

>80 Color Rendering Index (CRI)

White or Black powder-coated cold-forged aluminum housing

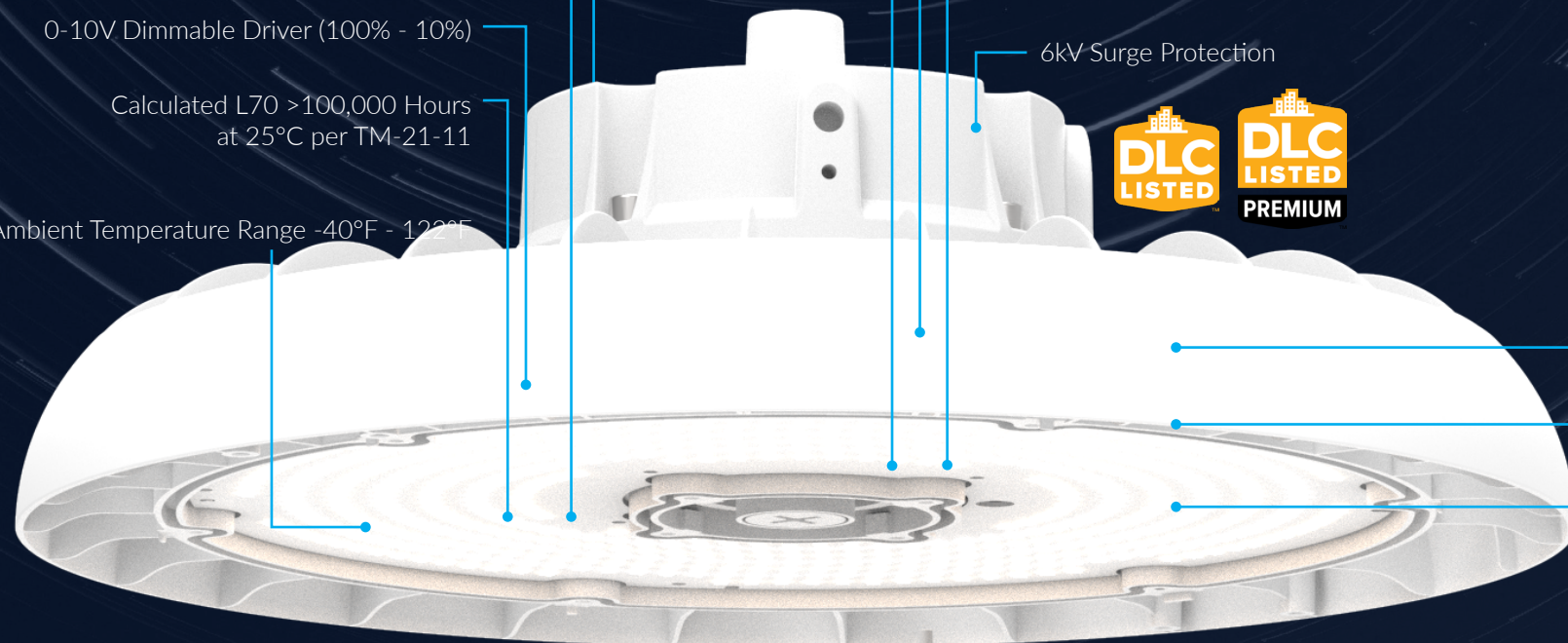
Up to 166 LPW

6kV Surge Protection



**IK10 RATING**

IK10 impact rated primary polycarbonate lens  
- Clear (standard)  
- Frosted (optional)



120-277V Universal Voltage or 277-480V High Voltage

Damp or IP65 Rated Emergency Options

- 5 Year Warranty (standard)
- 10 Year Warranty (optional)



## NSF RATED LUMINAIRE

NSF certified luminaires are certified by NSF International (formerly known as National Sanitation Foundation) to be used in a food preparation facility. NSF certified fixtures must be capable of being easily cleaned and include design features which minimize areas where bacteria can grow.



Plug-n-Play Center Mounted Sensor Option

## PLUG-N-PLAY SENSORS

The optional center-mounted field-installable sensor provides a clean appearance and ensures a balanced fixture. The sensor plugs in via 3.5MM jack and is field programmable.



+UHBS-3.5MM-KIT & +UHBMS - Universal High Bay Sensor for 3.5mm Jack

# Mix and Match Over 30 Different Lens and Diffuser Configurations



\*Consult Factory for Polycarbonate Options

\*Conical Bottom Lens Available on AD, DAD, & REFL\*

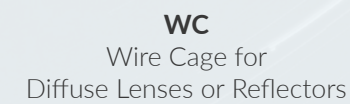
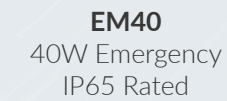
## TWO SLEEK FINISHES

Both white and black finishes are available in order to closer suit your project needs.

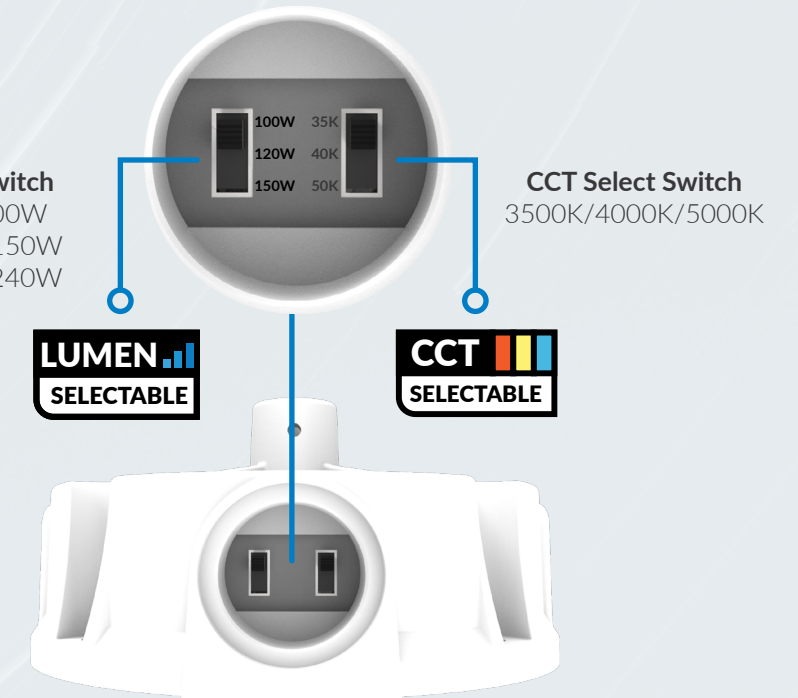


## BATTERY BACKUP OPTIONS

Damp or IP65 Rated Emergency options. UL924 listed, Self Diagnostic, & Title 20 Compliant



**Lumen Select Switch**  
RB5S: 60-80-100W  
RB5S: 100-120-150W  
RB5L: 175-200-240W



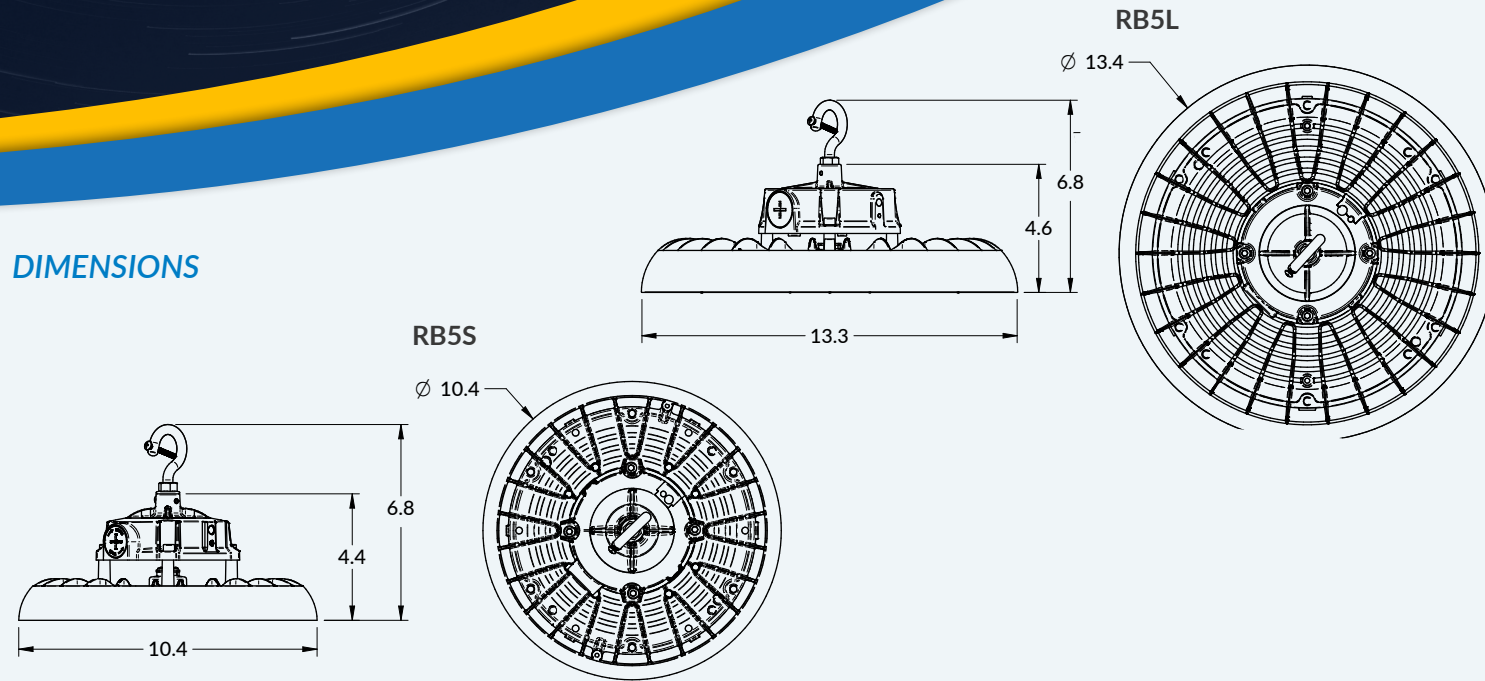
## CCT AND LUMEN SELECTABLE WITHOUT SACRIFICING DESIGN

Lumen-selectable and CCT-selectable, the RB5 features alternating CCTs within the LED rows to blend color temperatures seamlessly—ensuring consistent, uniform output without visible variance. Its adaptable configuration meets a wide range of site-specific requirements

# ENDLESS OPTIONS

# SPECIFICS

## DIMENSIONS



## Compatible with NUROAir® Plug-N-Play Sensor

Optional center mounted field installable sensor (NUROAir by ILLUMUS Brands) provides a clean appearance and ensures a balanced plumb fixture. Sensor Plug & Plays via 3.5MM jack with advanced features such as tri-level dimming, grouping, scheduling, and daylight harvesting.



Click Here or Scan Code  
to Learn More About

NUROAir Bluetooth Controls

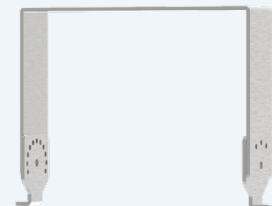
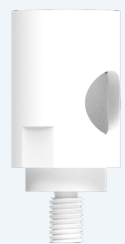
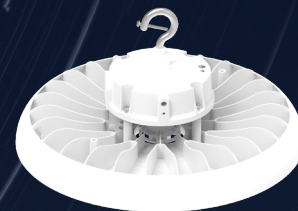
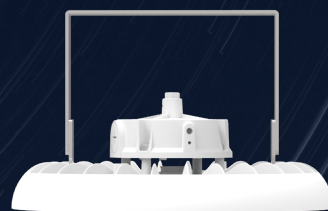
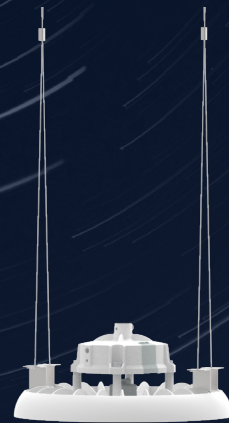
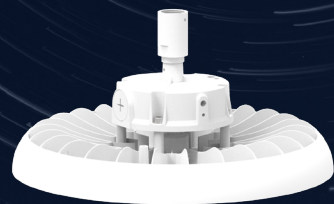


Pendant

Suspension

Surface

Hook



## MOUNTING METHODS

RB5 offers peak product versatility, with multiple mounting methods to fit your specific project needs. Mounting options include a pendant mount, suspension mount, surface mount and hook mount, and help you achieve the desired look and feel of your space.



\*Optional



# RB5

ROUND HIGH BAY

*VERSATILITY IN EVERY BEAM*

