



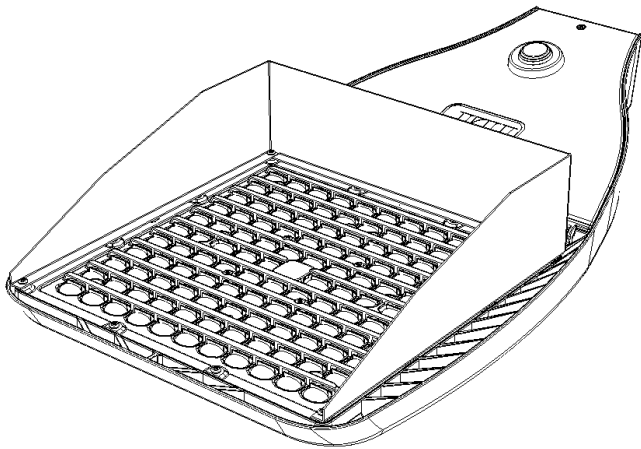
# Skyline Glare Shield & Full Visor Installation Guide

This installation instruction applies to all Skyline models. (SAS, SAM)

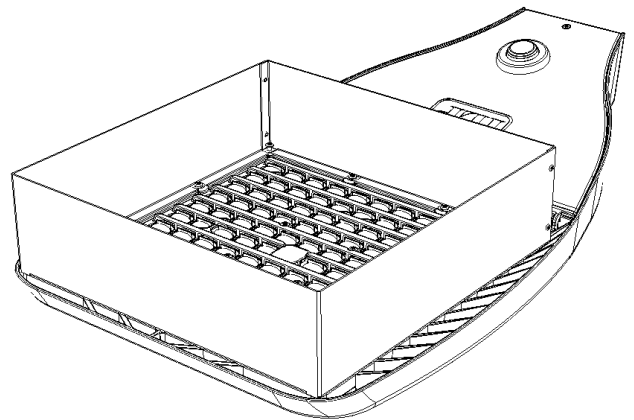
## Tools Needed

Drill with #2 Philips Bit (Preferred) or #2 Philips Screwdriver

Torque Screwdriver with #2 Philips Bit



Skyline Fixture w/ Glare Shield



Skyline Fixture w/ Full Visor

### **WARNING**

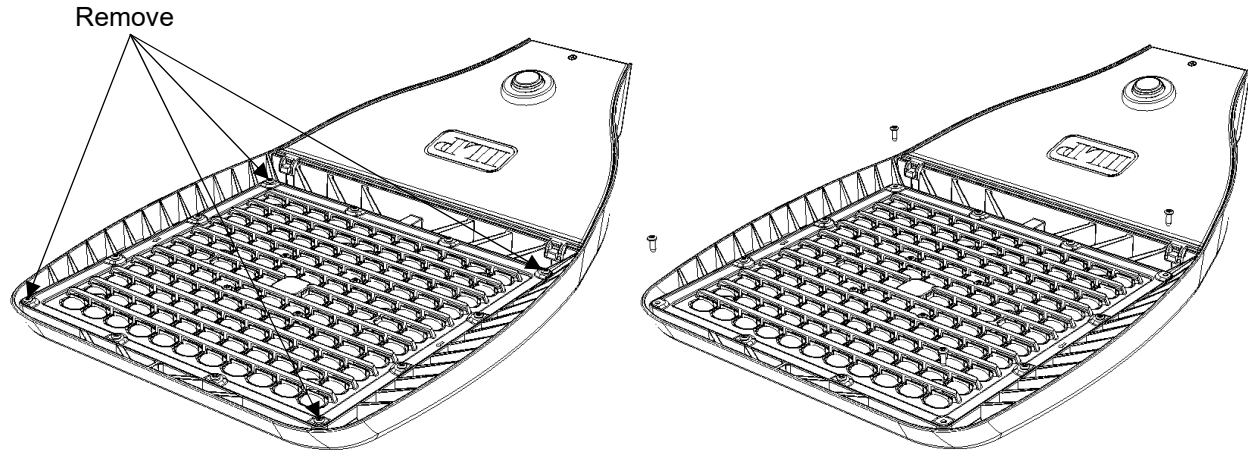
To avoid the risk of fire, explosion, or electric shock, this product shall be installed, inspected, and maintained by a qualified electrician, in accordance with all applicable electrical codes.

### **WARNING**

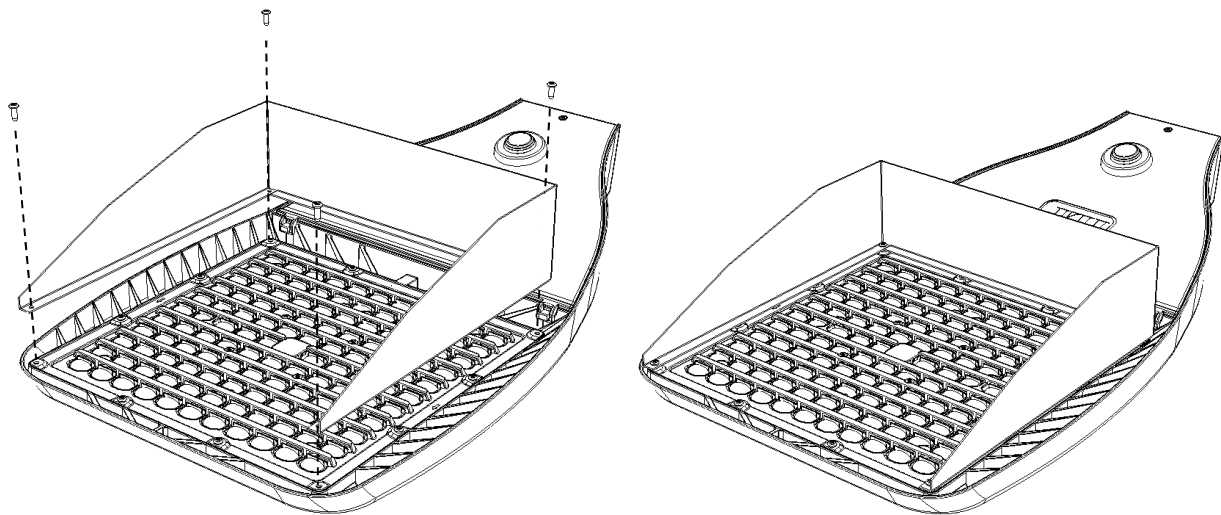
To avoid electric shock:

- Allow product to cool before servicing.
- Be certain electrical power is OFF before and during installation or maintenance.
- Luminaire must be connected to a wiring system with equipment-ground conductor.

## Installation Steps



1. Remove all 4 corner screws with a drill or screwdriver.



2. Set the glare shield on top of the lens so that the 4 holes on the glare shield line up with the 4 holes on the fixture. Insert glare shield screws into these holes. (Do not reuse the screws previously taken out)
3. Using a drill or screwdriver, carefully tighten each of the 4 screws incrementally. Do not fully tighten one screw before tightening the others.
4. Inspect the fixture to make sure all 4 screws are fully tightened and the glare shield's connection with the fixture is rigid. Using a torque screwdriver, verify all 4 screws are tightened to **18 inch-pounds**.