



PETROLEUM CANOPY LIGHT

INSTALLATION INSTRUCTIONS

⚠ CAUTION

PLEASE READ INSTRUCTIONS BEFORE COMMENCING INSTALLATION AND RETAIN FOR FUTURE REFERENCE.
Electrical products can cause death or injury, or damage to property. If any doubt about the installation or use of this product, consult a qualified electrician.

⚠ WARNING

- Before installation, please carefully check whether the fixture is damaged, and contact the supplier in time if there is any damage.
- To prevent personal injury or product damage only licensed electricians should install.
- To avoid electric shock or component damage disconnect power before attempting installation or servicing.
- This product must be installed in accordance with the national electric code (NEC) and all applicable federal, state and local electric codes and safety standards.
- Disconnect product and allow cooling prior to servicing.
- Any alteration or modification of this product is expressly forbidden as it may cause serious personal injury, death, property damage and/or product malfunction.
- To prevent product malfunction and/or electrical shock this product must be properly grounded.

⚠ WARNING

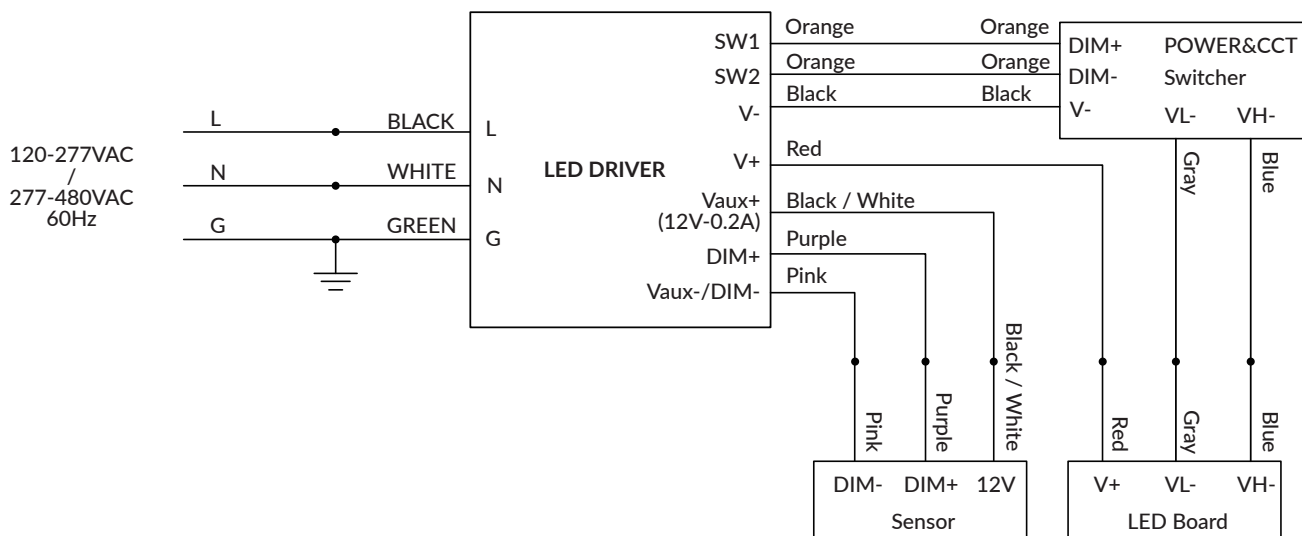
- Turn off electrical power at fuse or circuit breaker box before wiring fixture to the power supply.
- Turn off the power when you perform any maintenance.
- Verify that supply voltage is correct by comparing it with the luminaire label information.
- All wiring connections should be capped with UL approved wire connectors.

⚠ CAUTION

- This luminaire is designed to operate in ambient temperatures ranging from -40°C to 50°C with the LEDs facing down.
- This product must be installed in accordance with the applicable installation code by a person familiar with the construction and operation of the product and the hazards involved.
- Min 75°C supply conductors.
- CONSULT A QUALIFIED ELECTRICIAN TO ENSURE CORRECT BRANCH CIRCUIT CONDUCTOR.
- CAUTION - RISK OF FIRE.
- This product is not available for places with corrosive gas liquids or high-pressure water vapor.
- Suitable for wet location.

General Wiring Diagram

- To ensure proper operation, please ensure the luminaires are connected to either the dimmer or the sensor, but not both.



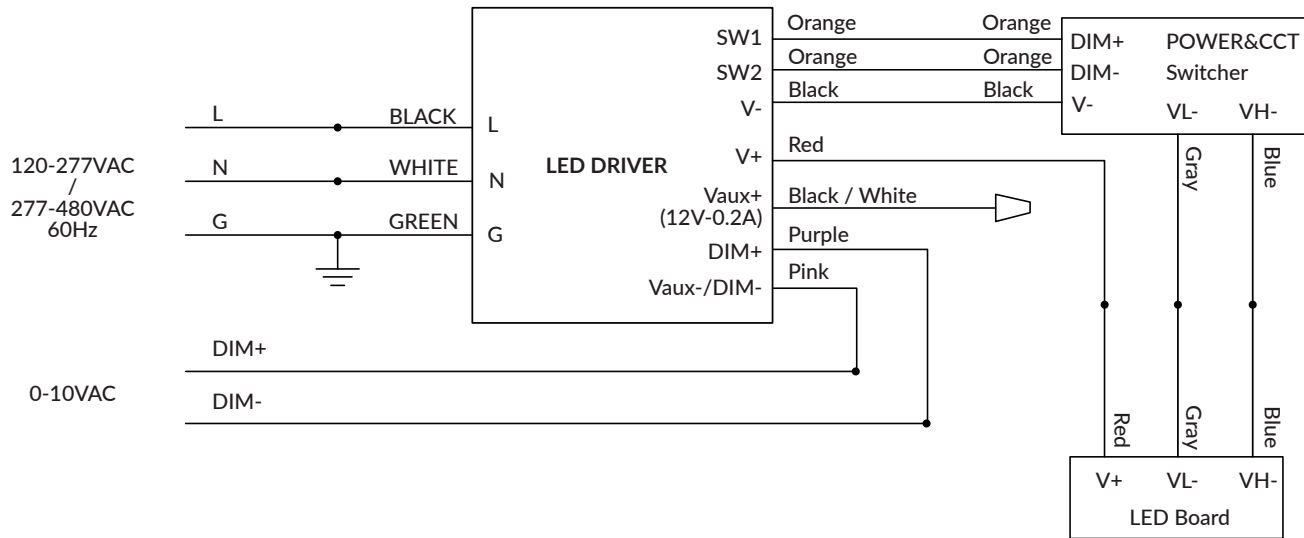
Wiring diagram for luminaire connecting to sensor



PETROLEUM CANOPY LIGHT

INSTALLATION INSTRUCTIONS

General Wiring Diagram

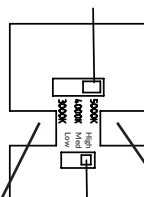


Wiring diagram for luminaire connecting to dimmer

Field-Adjustable CCT and Wattage

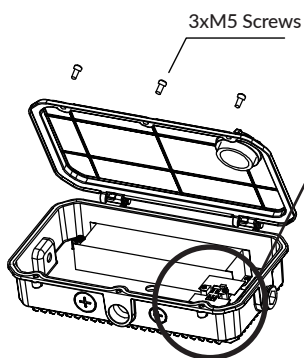
- Twist to remove the Switch Cover located on the top of driver box.
- Utilize the provided DIP switches to adjust the lumen output and color temperature setting. Slide the switch based on the label to achieve the desired CCT and wattage settings.
- Install the Switch Cover back in place and securely tighten it.
- The factory default setting is Max. power, 5000K.

CCT Switch: 3 settings
(3000k, 4000k, 5000k)

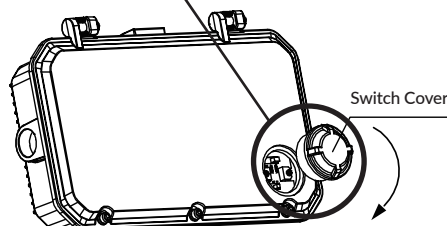


Power Switch: 3 settings
(Low, Med, High)

Item	High	Med	Low
TPC-14L/18L/22L	140W	112W	84W
TPC-4L/8L/12L	72W	45W	23W



Adjust power & CCT before installation



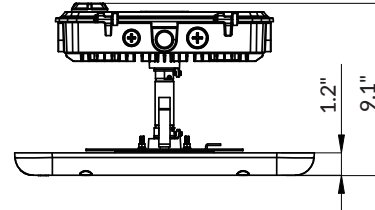
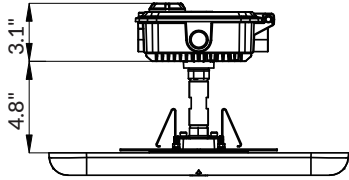
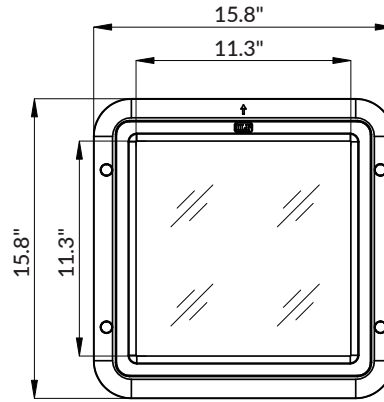
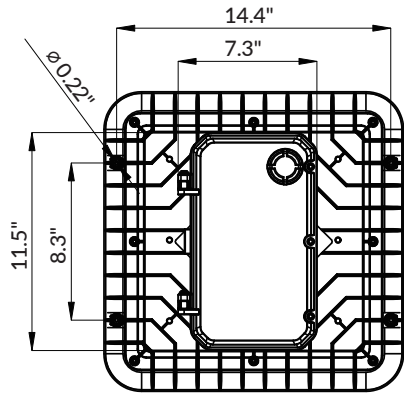
Adjust power & CCT after installation



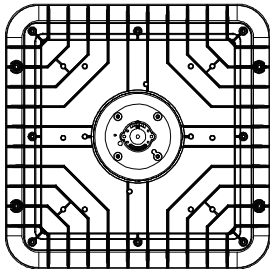
PETROLEUM CANOPY LIGHT

INSTALLATION INSTRUCTIONS

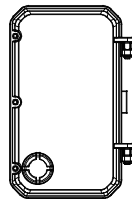
Product Dimension:



Product Check List



1 x Luminaire Part



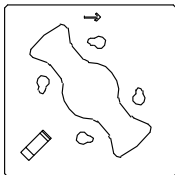
1 x Driver Box



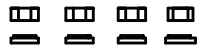
2 x Spring Lock
2 x M5 Screw



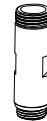
4 x ST4.8 Spring Nut
4 x ST4.8 Self-tapping Screw
4 x ST4.8 Silicon Plug



1 x Mounting Plate



4 x M5 Screw Nut
4 x M5 Spring Washer
4 x M5 Flat Washer



1 x Conduit



1x Cable Silicone Plug

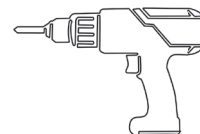
Tool List (provided by others)



Philips Screwdriver



Hex Wrench
(5/16", 13/16")



Electric Driller
(25/64", 55/64")



PETROLEUM CANOPY LIGHT

INSTALLATION INSTRUCTIONS

Mounting the Luminaire Part to canopy deck

- Cut a 4-inch ($\pm 1/8$ inch) diameter hole at the desired mounting location in the canopy deck.
- Position the two Spring Locks onto the Luminaire Part's locator posts and fasten them with the provided M5 Screws (Figure 1).
- Align the Spring Locks with the hole in the canopy deck and push the Luminaire Part into place (Figure 2).
- Note: The Spring Locks are only applicable to canopy decks with a maximum thickness of 4 mm.

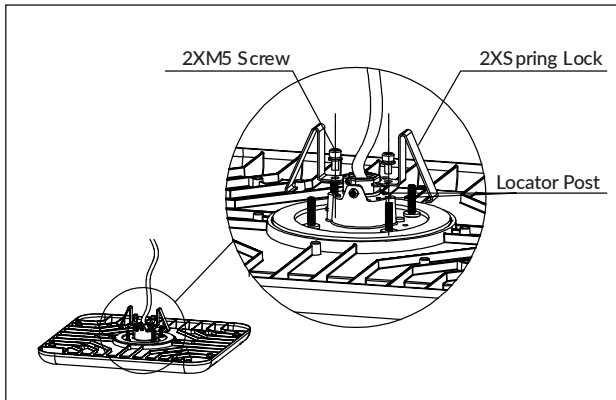


Figure 1

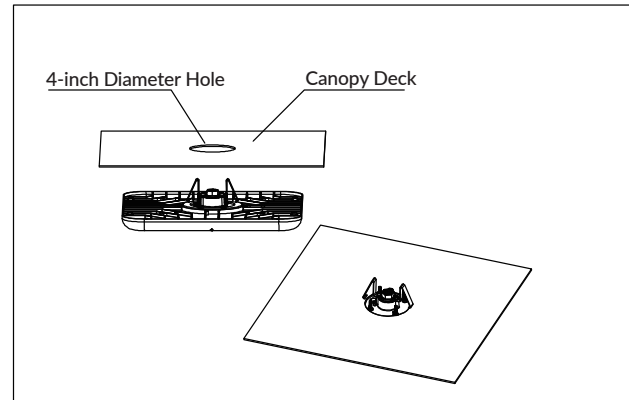


Figure 2

- Fix the Luminaire Part to the canopy deck using the ST 4.8 Self-tapping Screws. Tip: For thicker canopy, pre-drill a 1/8" pilot hole to penetrate easily. Apply the Silicone Plugs over the screw holes from front of the Luminaire Part (Figure 3).
- Apply the ST4.8 Spring Nuts to the Self-tapping Screws from back of the Luminaire Part to secure the assembly. Then, seal the screws and nuts with glue to waterproof the deck. (Figure 4).

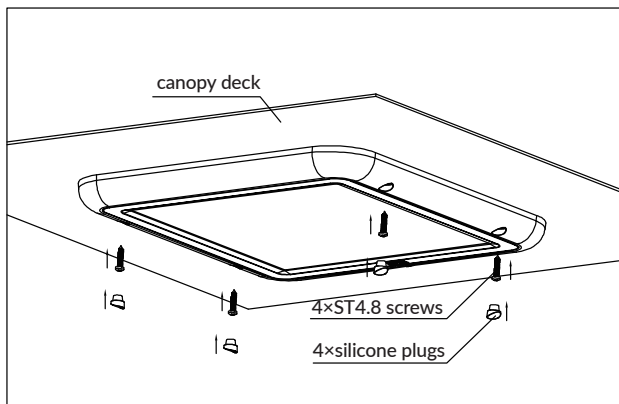


Figure 3

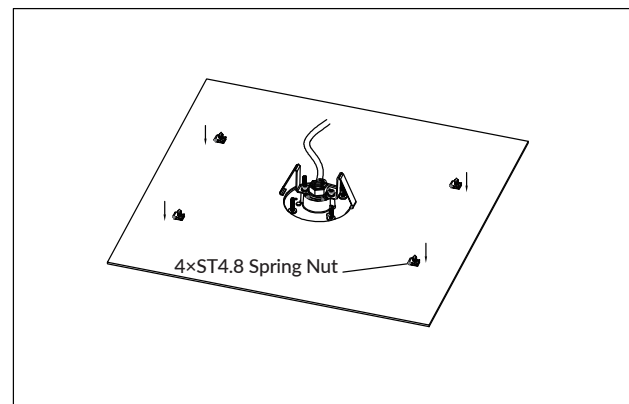


Figure 4

- Attach the Mounting Plate to the Luminaire Part by passing the M5 Screw Studs through it.
- Rotate the Mounting Plate into position and secure it by tightening the M5 Screw Nuts with their Spring and Plain Washers (Figure 5).
- Fixed the Luminaire Part on the canopy deck (Figure 6).

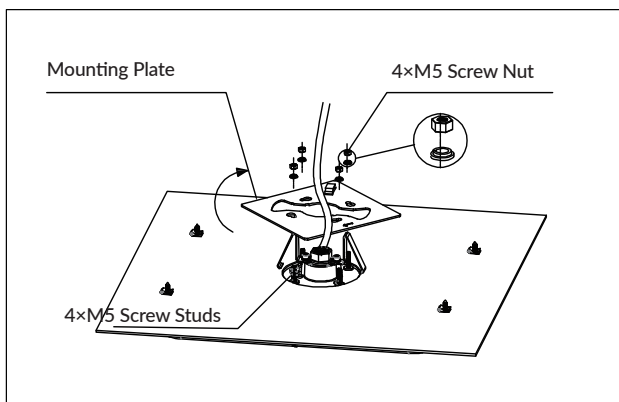


Figure 5

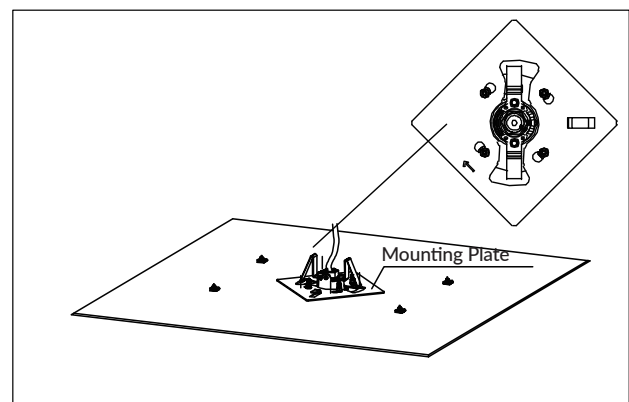


Figure 6



PETROLEUM CANOPY LIGHT

INSTALLATION INSTRUCTIONS

Driver Box Installation

- Open the Driver Box by removing the three M5 screws on the cover (Figure 7).
- Select the appropriate drill-out entry hole on the box based on your cable conduit specifications and intended entry direction.
- Drill out the selected hole to create the cable entry port (Figure 8). Ensure the hole's edge is smooth to maintain the waterproof integrity.

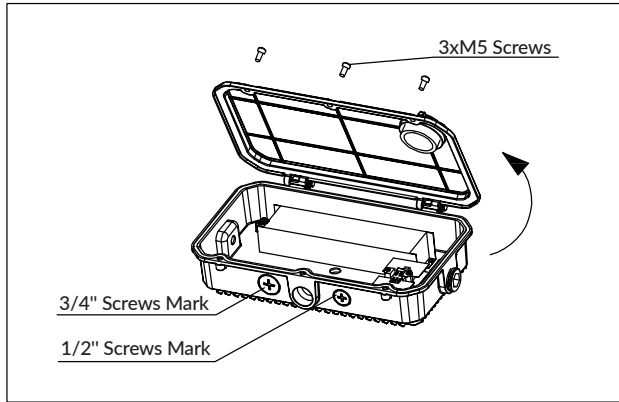


Figure 7

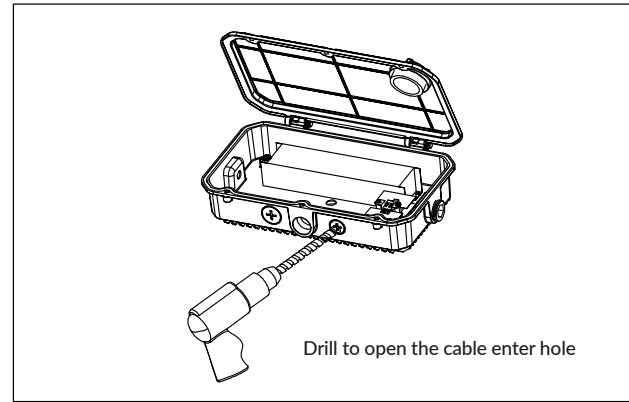


Figure 8

- Feed the Luminaire Cable through the Conduit from the small end thread and then through the Cable Silicone Plug (Figure 9).
- Thread the Conduit into Adapter Head A on the Luminaire Part (Figure 9).
- Press down the driver box to compress the cable silicone plug, then rotate driver box and tighten together with conduit (figure 10).

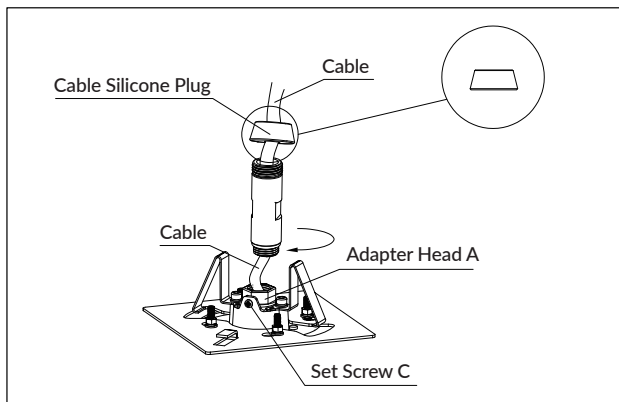


Figure 9

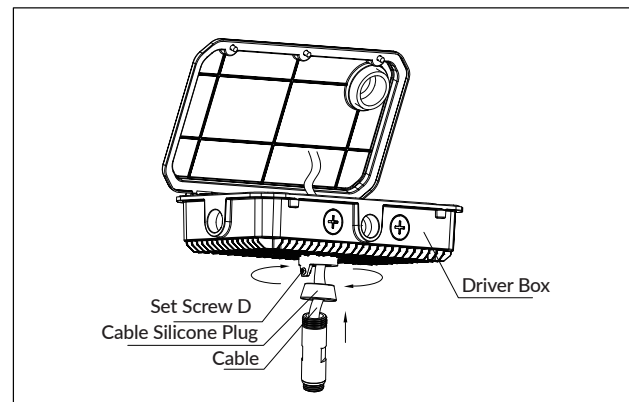


Figure 10

- Feed the electrical cable through the drilled entry hole and secure it to the driver box using a waterproof connector (provided by others). Make all electrical connections as specified in the wiring diagram. Close the driver box and secure it by tightening the three M5 screws (Figure 11).
- **Important Note: All mounting holes that penetrate the deck must be thoroughly sealed with waterproof sealant.**
- **Important Note: The electrical cable entry point into the driver box must be sealed with waterproof sealant.**

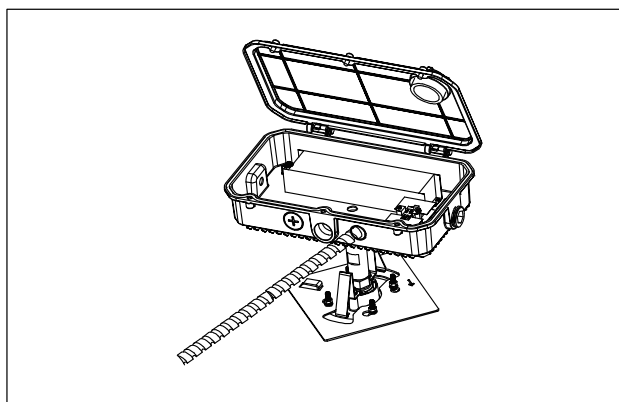


Figure 11



PETROLEUM CANOPY LIGHT

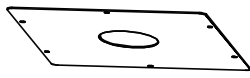
INSTALLATION INSTRUCTIONS

Back Plate Installation

Note: The 12" or 16" Back Plate are provided separately. Two operators are required to install the Back Plate. When the mounting hole in the deck plate is larger than 4", use the back plate for support during installation.

Parts Checklist:

12" back plate suitable for the hole dimension 4.13~9.84 inch. 16" back plate suitable for the hole dimension 4.13~13.8 inch.



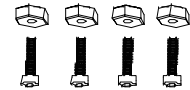
1 x 12" Back Plate
(TPC-BP12)



1 x 16" Back Plate
(TPC-BP16)



2 x Spring Nuts
2 x Self-tapping Screw



4 x Hexagon Socket Screws
4 x Screw Nuts

- Position the Back Plate and secure it temporarily using the 2 Self-tapping Screws and Spring Nuts. Tip: For thicker canopy, pre-drill a 13/64" pilot hole to penetrate easily. (Figure 12).
- Using the four remaining holes on the Back Plate as a guide, drill 9/32" pilot holes into the original canopy deck (Figure 13).
- Insert the four Hex screws through the Back Plate and canopy deck and fasten them securely with the four Screw Nuts from the top (Figure 13).
- For a waterproof seal, apply sealant to all penetrating holes and along the entire seam where the Back Plate meets the canopy deck.

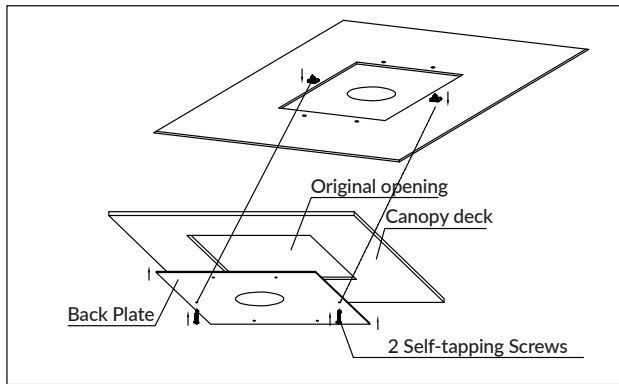


Figure 12

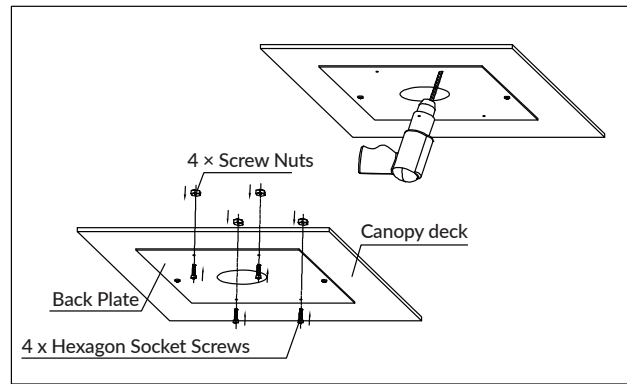
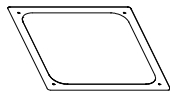


Figure 13

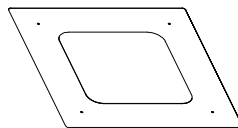
Beauty Plate Installation

Note: The 18" or 26" Beauty Plate are provided separately. Two operators are required to install the Beauty Plate.

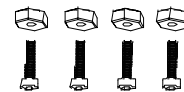
Parts Checklist:



1 x 18" Beauty Plate
(TPC-BTP18)



1 x 26" Beauty Plate
(TPC-BTP26)



4 x Hexagon Socket Screws
4 x Screw Nuts

- Mount the luminaire onto the prepared canopy deck according to its specific instructions.
- Position the Beauty Plate over the luminaire on the exterior side. Fasten the Beauty Plate to the canopy deck using the four Screws and Nuts. Then, seal the screws and nuts with glue to waterproof the deck.(Figure 14,15).
- Apply waterproof sealant to any remaining penetration holes and along the entire interface between the canopy deck and the Beauty Plate.

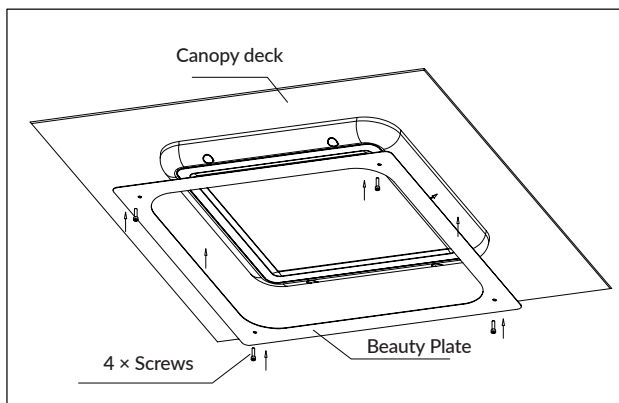


Figure 14

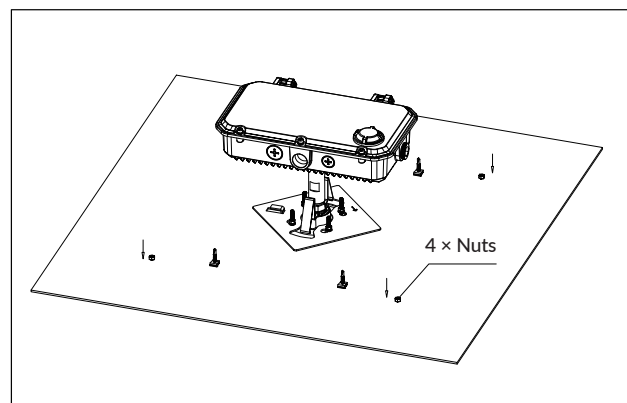


Figure 15