



Viewpoint Area Light 2.0

Bird Spike

INSTALLATION INSTRUCTIONS

CAUTION

PLEASE READ INSTRUCTIONS BEFORE COMMENCING INSTALLATION AND RETAIN FOR FUTURE REFERENCE.

Electrical products can cause death or injury, or damage to property. If any doubt about the installation or use of this product, consult a qualified electrician.

WARNING

- To reduce the risk of death, personal injury or property damage from fire, electric shock, falling parts, cuts/abrasions, and other hazards read all warnings and instructions included with and on the fixture box and all fixture labels.
- Before installing, servicing, or performing routine maintenance on this fixture, follow these general precautions.
- Commercial installation, service and maintenance of luminaires should be performed by a qualified licensed electrician.
- To prevent wiring damage or abrasion, do not expose wiring to edges of sheet metal or other sharp objects.
- Do not make or alter any open holes in an enclosure of wiring or electrical components during kit installation

WARNING

- Turn off electrical power at fuse or circuit breaker box before wiring fixture to the power supply.
- Turn off the power when you perform any maintenance.
- Verify that supply voltage is correct by comparing it with the luminaire label information.
- Inspect each fixture for signs of damage before beginning installation; do NOT install any fixture that is damaged.
- Installation location must not hinder ventilation to the fixture unless product specifications indicate otherwise.
- All wiring connections should be capped with UL approved wire connectors.

CAUTION

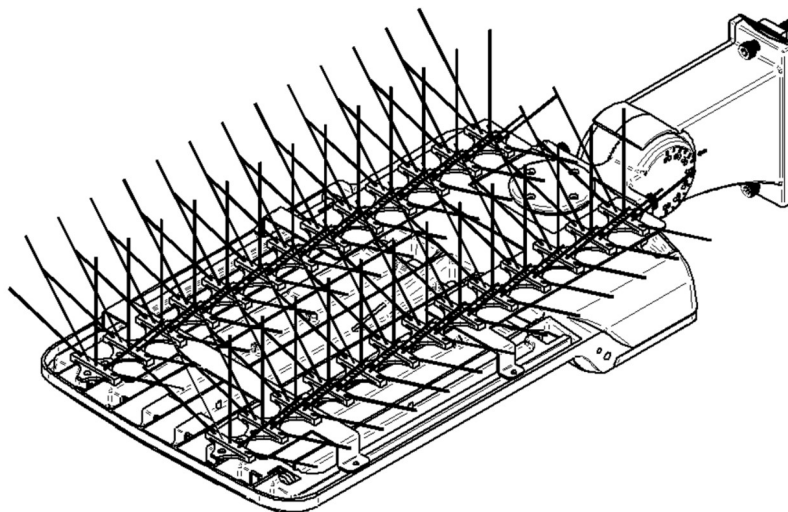
- Avoid direct eye exposure to the light source while it is on.
- Account for small parts and destroy packing material, as these may be hazardous to children.
- Risk of burn. Disconnect power and allow fixture to cool before handling fixture.

NOTICE: Ground stud provided in proper location. Do not relocate.

NOTICE: Minimum 90° supply conductors.

NOTICE: Specifications and dimensions subject to change without notice.

NOTICE: Suitable for Damp or Dry location.





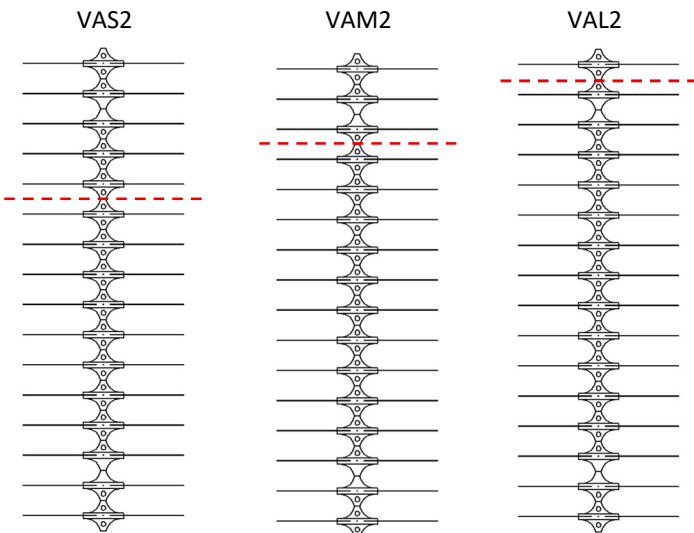
Viewpoint Area Light 2.0

Bird Spike

INSTALLATION INSTRUCTIONS

Installation Steps

1. If necessary, trim the Bird Spike down to size of fixture. (Figure 1)
2. Attach the larger bracket and smaller bracket to the back of the fixture using 4x M4 screws. Ensure that the PEM screws are facing upward on the brackets and the screws are fully engaged. (Figure 2)
3. Align the bird spikes onto the eight PEMS of both brackets. Use the locknuts to secure the bird spikes to both brackets. (Figure 3)
4. Ensure all the screws and locknuts are fully tightened and the bird spike baskets are rigid. (Figure 4)



Bird Spike Trimming Location
Figure 1

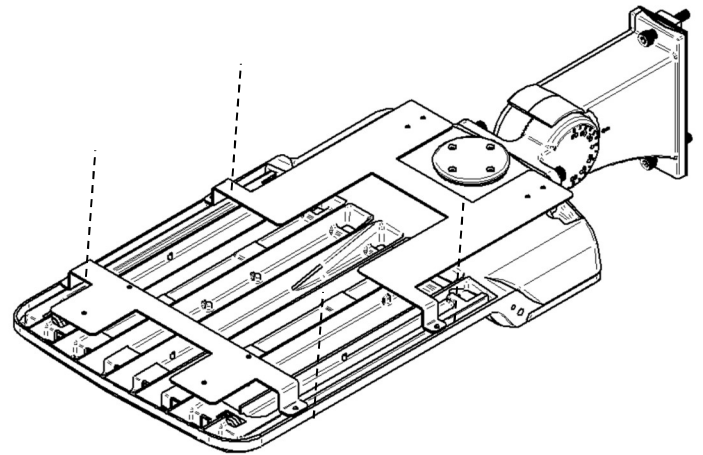


Figure 2

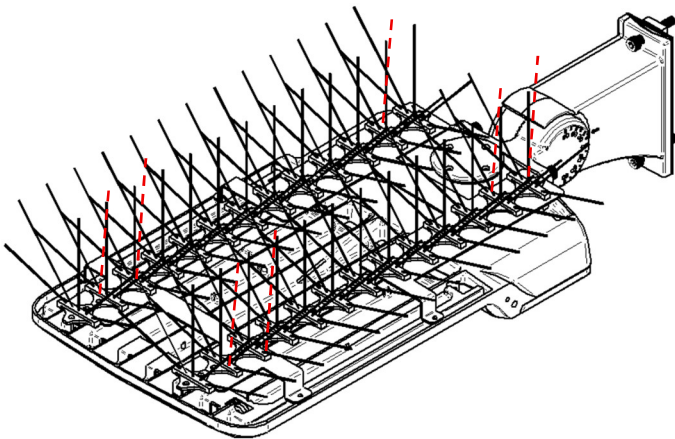


Figure 3

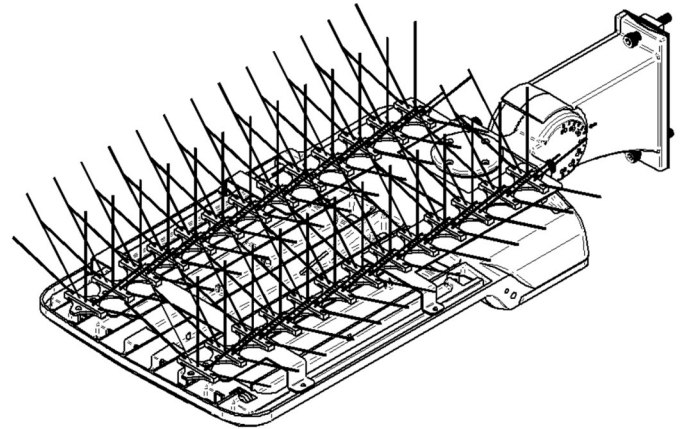


Figure 4