



VIEWPOINT AREA LIGHT 2.0

INSTALLATION INSTRUCTIONS

⚠ CAUTION

PLEASE READ INSTRUCTIONS BEFORE COMMENCING INSTALLATION AND RETAIN FOR FUTURE REFERENCE.
Electrical products can cause death or injury, or damage to property. If any doubt about the installation or use of this product, consult a qualified electrician.

⚠ WARNING

- To reduce the risk of death, personal injury or property damage from fire, electric shock, falling parts, cuts/abrasions, and other hazards read all warnings and instructions included with and on the fixture box and all fixture labels.
- Before installing, servicing, or performing routine maintenance upon this equipment, follow these general precautions.
- Commercial installation, service and maintenance of luminaires should be performed by a qualified licensed electrician.
- To prevent wiring damage or abrasion, do not expose wiring to edges of sheet metal or other sharp objects.
- Do not make or alter any open holes in an enclosure of wiring or electrical components during kit installation.

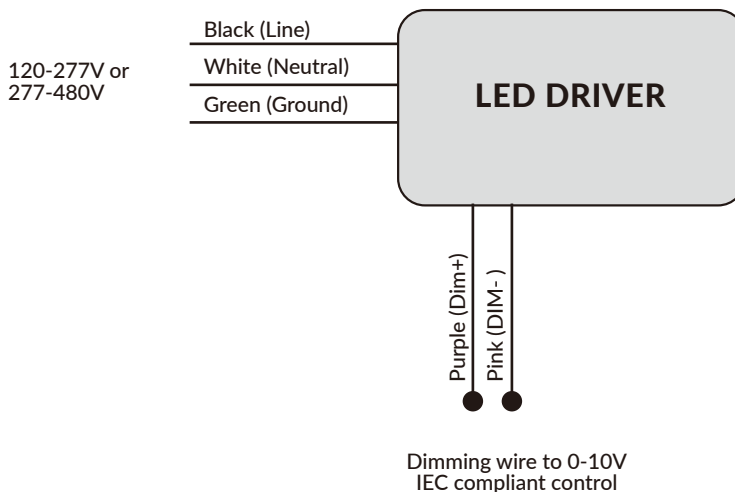
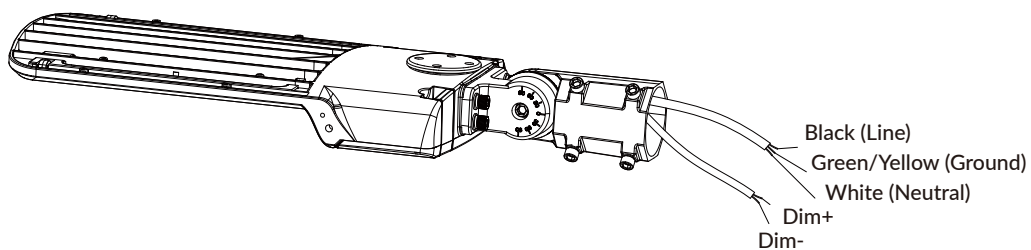
⚠ WARNING

- Turn off electrical power at fuse or circuit breaker box before wiring fixture to the power supply.
- Turn off the power when you perform any maintenance.
- Verify that supply voltage is correct by comparing it with the luminaire label information.
- All wiring connections should be capped with UL approved wire connectors.

⚠ CAUTION

- Avoid direct eye exposure to the light source while it is on.
 - Account for small parts and destroy packing material, as these may be hazardous to children.
 - Risk of burn. Disconnect power and allow fixture to cool before handling fixture.
- NOTICE: Green ground screw provided in proper location. Do not relocate.
NOTICE: Minimum 90° supply conductors.
NOTICE: Specifications and dimensions subject to change without notice.
NOTICE: Suitable for Wet location, Type IC

General Wiring Diagram



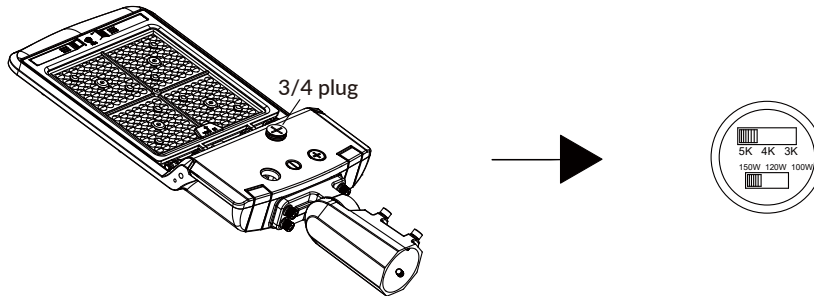


VIEWPOINT AREA LIGHT 2.0

INSTALLATION INSTRUCTIONS

Field-Adjustable CCT and Wattage

- Remove the 3/4" plug located at the front side of the fixture.
- Utilize the provided DIP switches to adjust the lumen output and color temperature.
Slide the switch left or right based on the fixture label to achieve the desired CCT and wattage settings.
- Install the 3/4" plug back in place and securely tighten it.
- The factory default setting is maximum power, 4000K.



Field-Optional Optics

- Place the fixture on a stable, level surface to ensure secure handling.
- To disengage the safety lock and latches: Use a flathead screwdriver, rotate the safety lock to the "unlock" position (arrow pointing upward). Then press both "PUSH" buttons simultaneously. The two latches on the front of the lens frame will pop up (Figure 1).
- To replace the lens: Lift the lens frame and carefully extract the existing lens. Insert the replacement lens and seat it firmly within the frame (Figure 2). Close the lens frame back into place (Figure 3).
- To secure the lens frame: Engage the latches by pressing them down firmly. Use the screwdriver to rotate the safety lock to the "Lock" position (arrow pointing downward) to secure the mechanism (Figure 4).

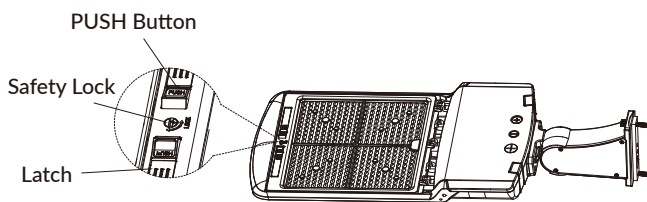


Figure 1

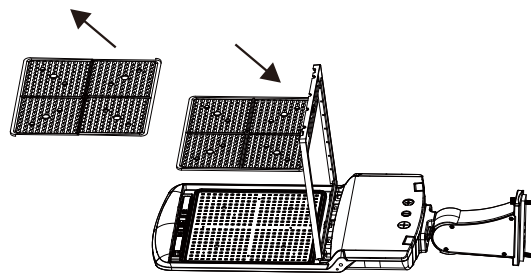


Figure 2

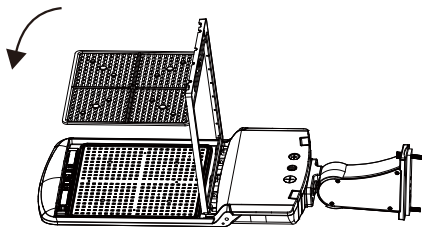


Figure 3

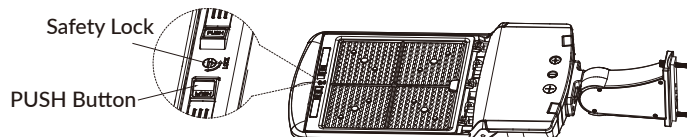


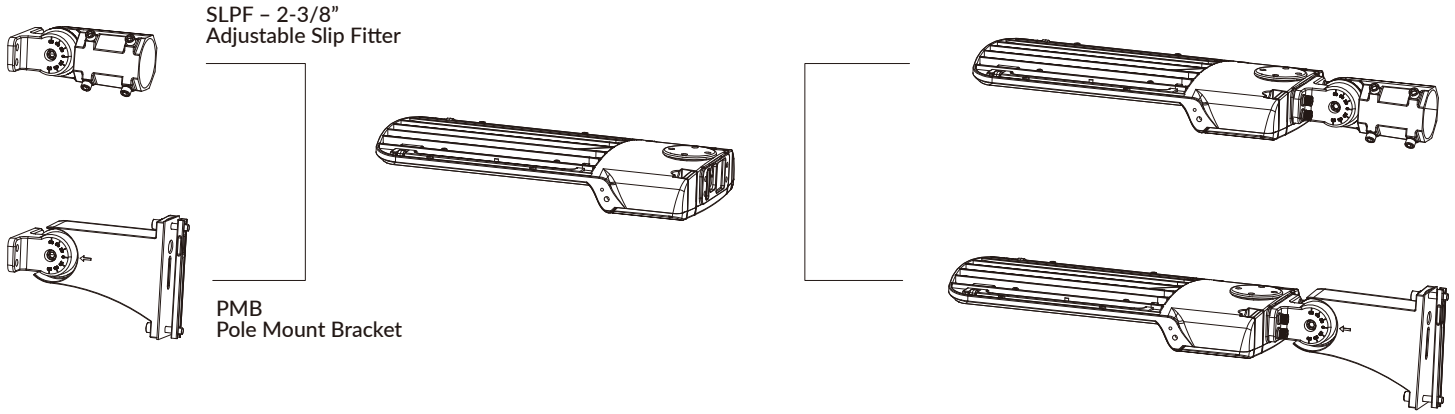
Figure 4



VIEWPOINT AREA LIGHT 2.0

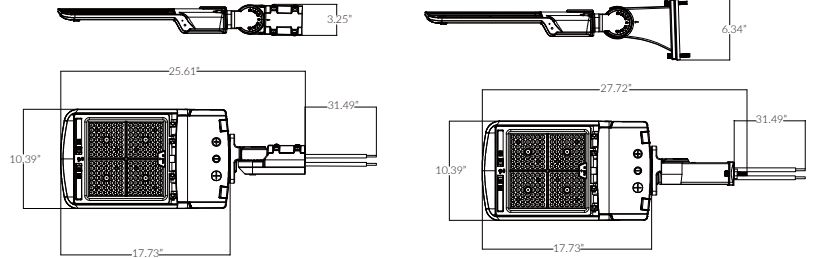
INSTALLATION INSTRUCTIONS

Mounting Brackets:

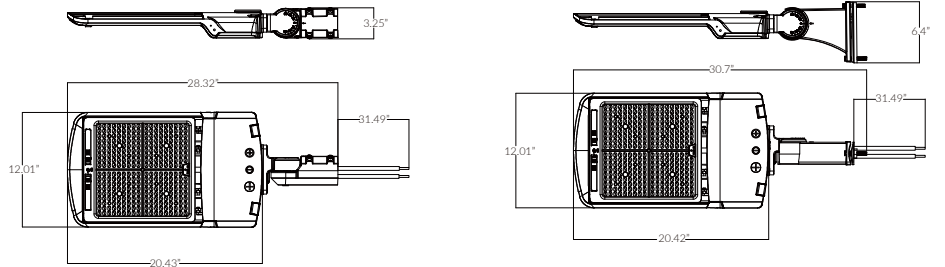


Product Dimension:

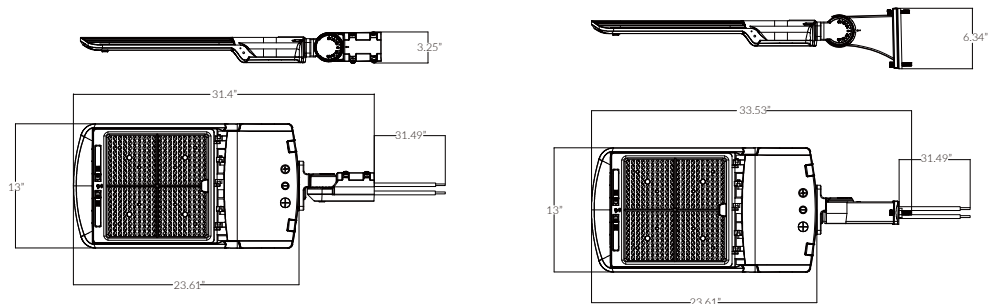
VAS2-16L/20L/23L



VAM2-24L/28L/31L



VAL2-32L/38L/46L





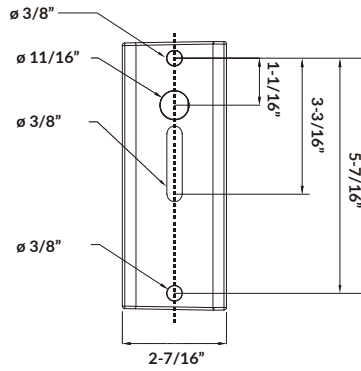
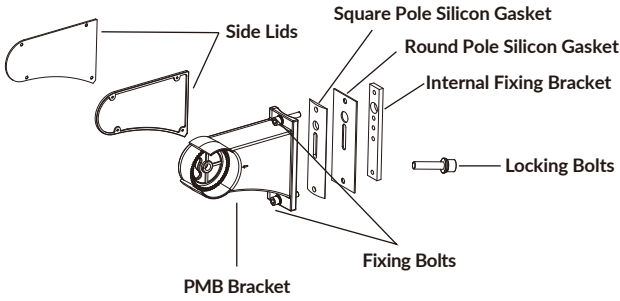
VIEWPOINT AREA LIGHT 2.0

INSTALLATION INSTRUCTIONS

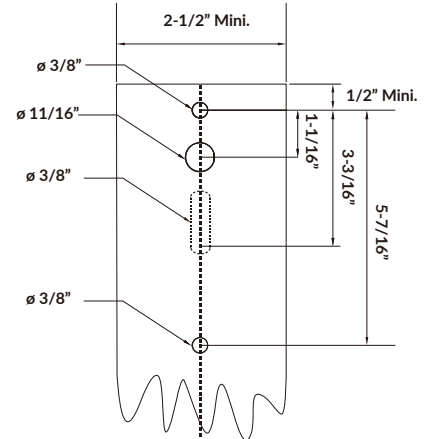
Installation Instructions:

TURN OFF POWER FROM MAIN CIRCUIT BREAKER

1. Standard Pole Mount Bracket (PMB) Mounting:



Fixing bracket dimensions



Pole drill template

Assemble the mounting bracket:

- Unscrew the bracket mounting screws from the fixture and pass the wires through the bracket's side lid (Figure 1).
- Attach the bracket to the fixture, close the side lid, and securely tighten it (Figure 2).

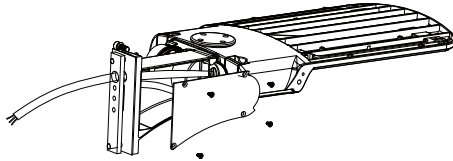


Figure 1

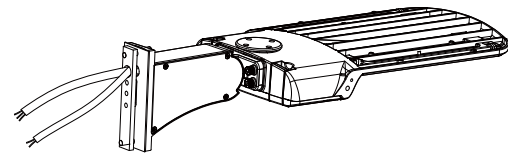


Figure 2

Mounting the Fixture:

- Secure the PMB bracket to the square pole using the Fixing Bolts, guide the wire into the junction box, and wire it according to the "General Wiring Diagram". Place the connected wires inside the junction box and close the box securely (Figure 3).
- When installing the fixture on a square pole, use the Square Pole Silicon Gasket (Figure 4).
- When installing the fixture on a round pole, remove the silicon plate (Figure 5).
- Note: The adjustable angle range is 0-35°. To adjust the fixture angle, loosen the locking bolts, set the desired angle, and then tighten the locking bolt to secure it.

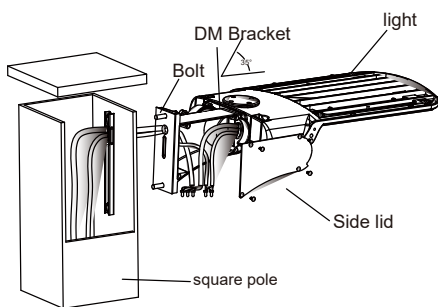


Figure 3

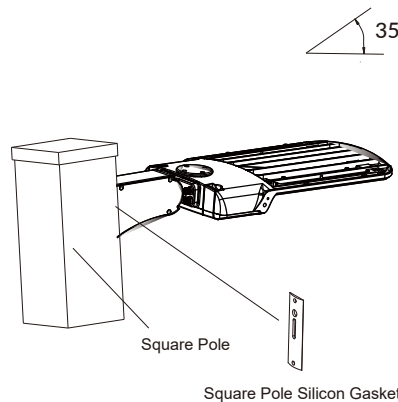


Figure 4

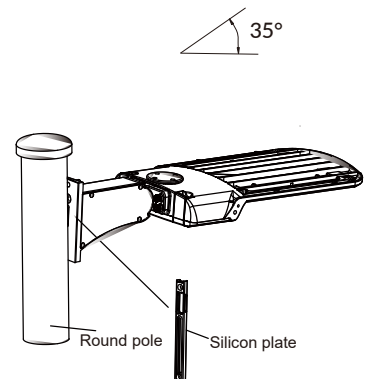
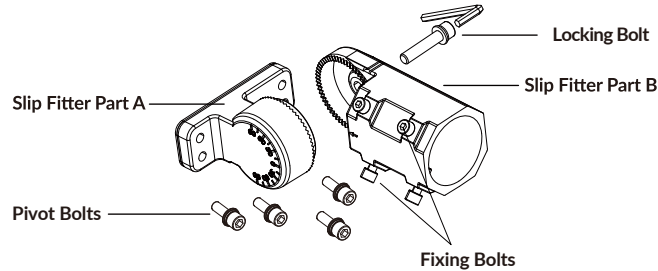


Figure 5



Installation Instructions:

2. SLPF - 2-3/8" Adjustable Slip Fitter Mounting



Assembling the mounting bracket:

- Separate the Slip Fitter parts by unscrewing the Locking Bolt.
- Pass the input cable of the fixture through the Slip Fitter Part A and fix it to the fixture with Pivot Bolts. (Figure 1)
- Attach the Slip Fitter Part B and the Slip Fitter Part A and fasten the Locking Bolt. (Figure 2)

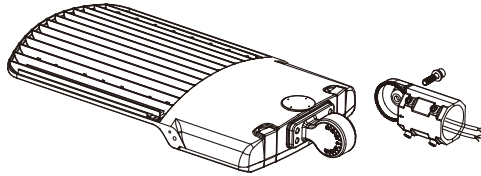


Figure 1

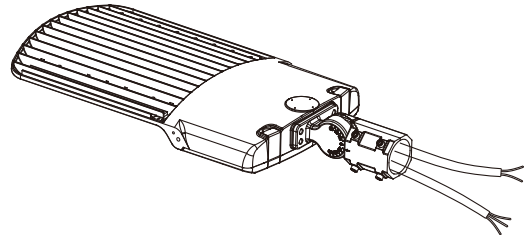


Figure 2

Mounting the Fixture:

- Make Appropriate wiring according to the "General Wiring Diagram" and tuck all the wires in the pole (Figure 3).
 - Insert Slip Fitter on the pole and fasten the Fixing Bolts (Figure 4).
 - To adjust the fixture angle, loose the Locking Bolt and adjust the fixture to desired angle. Tighten the Locking Bolt to secure it.
- Note: Adjustable angle is 0-90°

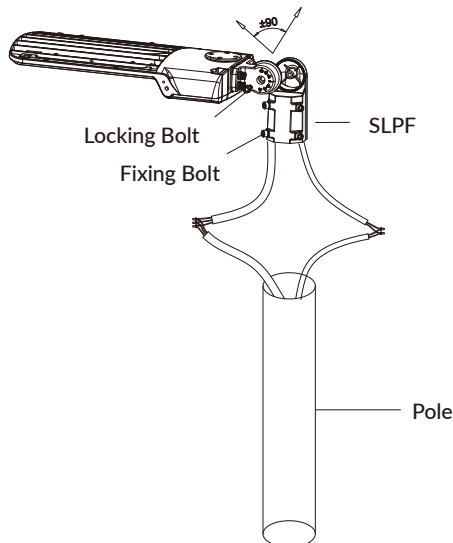


Figure 3

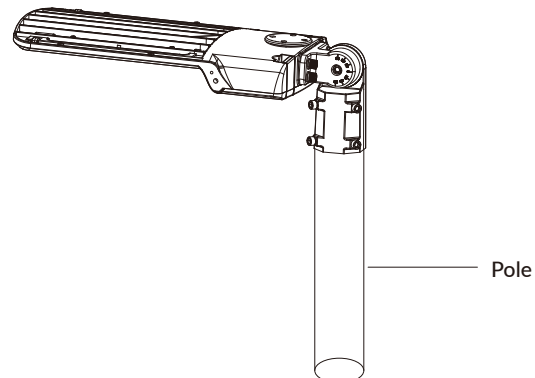


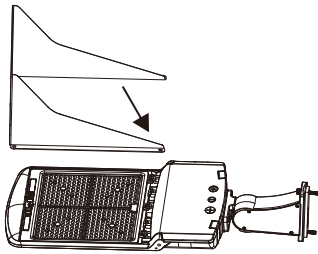
Figure 4



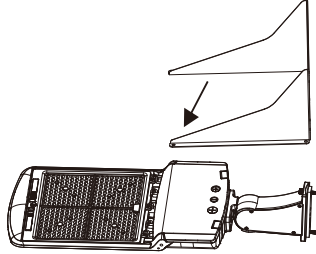
VIEWPOINT AREA LIGHT 2.0

INSTALLATION INSTRUCTIONS

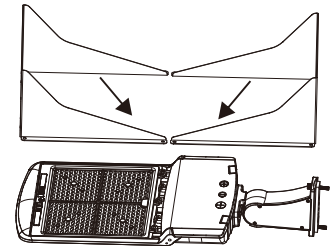
Glare Shield Installation



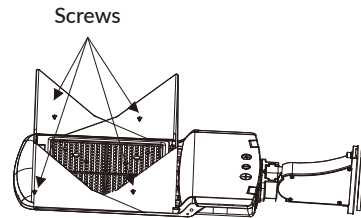
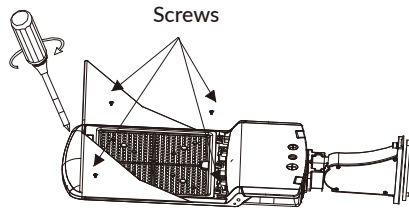
Front



Back



Front & Back



Note: Glare shields can be mounted on the front, back, or both sides of the fixture.

- Position the desired shield(s) to align with the designated mounting locations on the fixture.
- Attach each glare shield using the four (4) provided screws, tightening them evenly to ensure a secure and flush fit.

Nominal Lumen Output Settings

Model Number	CCT Setting	Power	Lumen Output	Power	Lumen Output	Power	Lumen Output
VAS2-16L/20L/23L-U-CCTS-T4	3000K	100W	14,600	125W	17,875	150W	21,000
	4000K		16,100		19,750		23,250
	5000K		15,600		19,125		22,500
VAM2-24L/28L/31L-U-CCTS-T4	3000K	150W	21,900	175W	25,025	200W	28,000
	4000K		24,150		27,650		31,000
	5000K		23,400		26,775		30,000
VAL2-32L/38L/46L-U-CCTS-T4	3000K	200W	29,200	240W	34,320	300W	42,000
	4000K		32,200		37,920		46,500
	5000K		31,200		36,720		45,000