



# ViewPoint Area Light 2.0

## Wall Mount Bracket

### INSTALLATION INSTRUCTIONS

#### CAUTION

PLEASE READ INSTRUCTIONS BEFORE COMMENCING INSTALLATION AND RETAIN FOR FUTURE REFERENCE.

Electrical products can cause death or injury, or damage to property. If any doubt about the installation or use of this product, consult a qualified electrician.

#### WARNING

- To reduce the risk of death, personal injury or property damage from fire, electric shock, falling parts, cuts/abrasions, and other hazards read all warnings and instructions included with and on the fixture box and all fixture labels.
- Before installing, servicing, or performing routine maintenance on this fixture, follow these general precautions.
- Commercial installation, service and maintenance of luminaires should be performed by a qualified licensed electrician.
- To prevent wiring damage or abrasion, do not expose wiring to edges of sheet metal or other sharp objects.
- Do not make or alter any open holes in an enclosure of wiring or electrical components during kit installation

#### WARNING

- Turn off electrical power at fuse or circuit breaker box before wiring fixture to the power supply.
- Turn off the power when you perform any maintenance.
- Verify that supply voltage is correct by comparing it with the luminaire label information.
- Inspect each fixture for signs of damage before beginning installation; do NOT install any fixture that is damaged.
- Installation location must not hinder ventilation to the fixture unless product specifications indicate otherwise.
- All wiring connections should be capped with UL approved wire connectors.

#### CAUTION

- Avoid direct eye exposure to the light source while it is on.
- Account for small parts and destroy packing material, as these may be hazardous to children.
- Risk of burn. Disconnect power and allow fixture to cool before handling fixture.

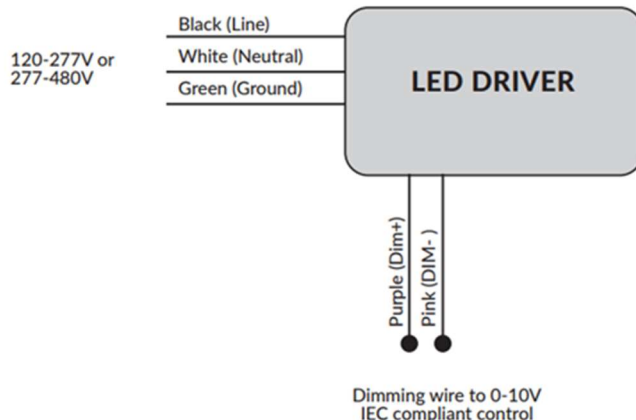
**NOTICE:** Ground stud provided in proper location. Do not relocate.

**NOTICE:** Minimum 90° supply conductors.

**NOTICE:** Specifications and dimensions subject to change without notice.

**NOTICE:** Suitable for Damp or Dry location.

### General Wiring Diagram





# ViewPoint Area Light 2.0

## Wall Mount Bracket

### INSTALLATION INSTRUCTIONS

#### Installation Steps

**\*\*\*CAUTION: ENSURE TO APPLY A CONTINUOUS BEAD OF WEATHERPROOF CAULKING BETWEEN THE BRACKET AND THE WALL TO MAINTAIN WEATHERPROOF RATINGS**

1. Align mounting plate to desired location and mark mounting locations. Prepare surface (drill, etc) for fasteners (provided by others) and wiring. (Figure 1)
2. Thread (2x) 30mm M8 hex socket screws through all components as shown in the graphics below. (Figure 2)
3. Tighten (2x) 30mm M8 hex socket screws to at least 20 Nm each or route wires. (Figure 3)
4. Route wires into the wall to make the necessary wiring connections.
5. Secure mounting plate to the wall with 4 fasteners (not provided).

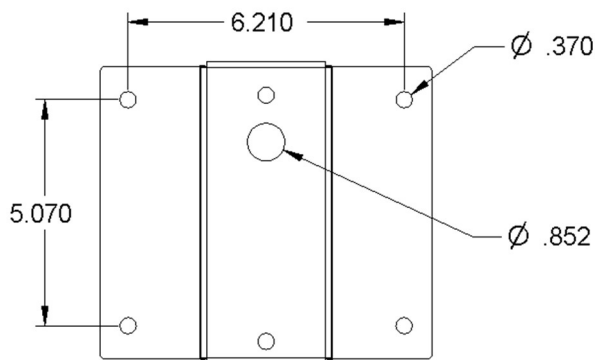


Figure 1

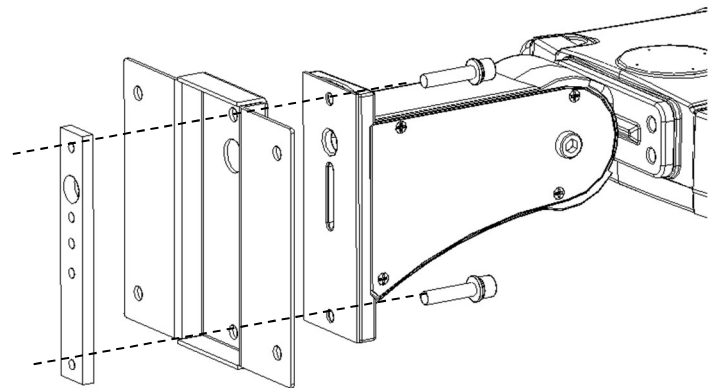


Figure 2

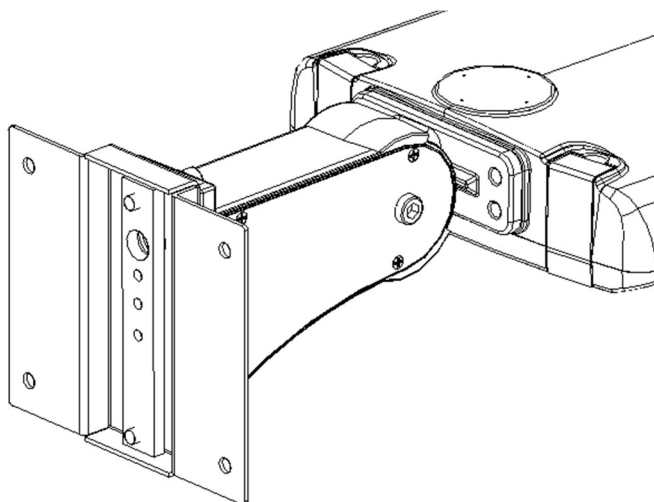


Figure 3

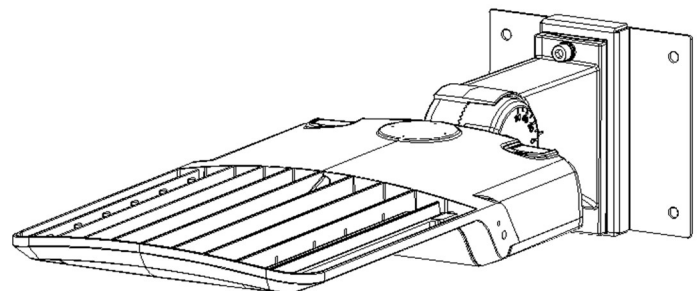


Figure 4

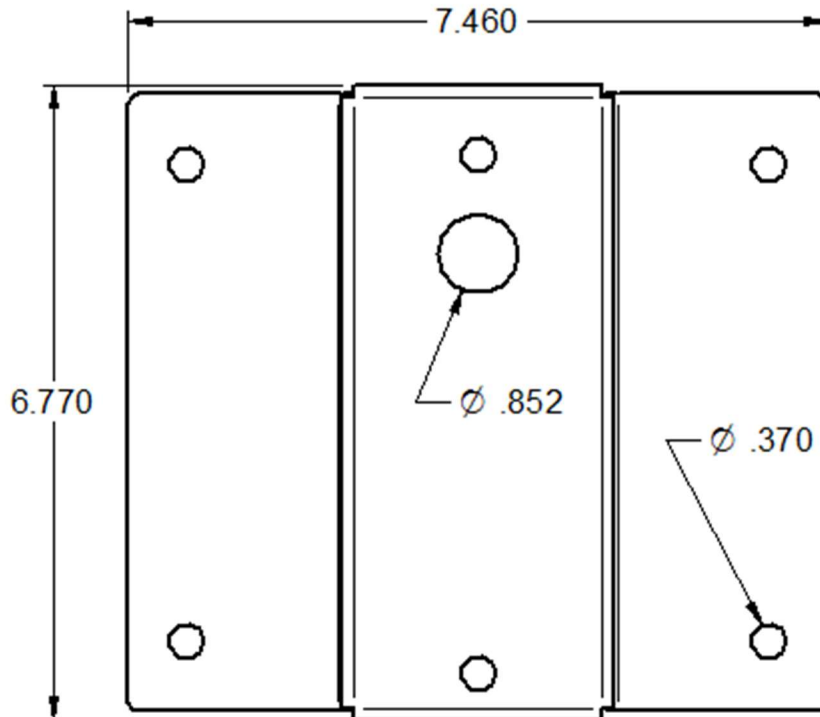


# ViewPoint Area Light 2.0

## Wall Mount Bracket

### INSTALLATION INSTRUCTIONS

#### Dimension Drawing



#### Troubleshooting

If the fixture fails to operate once installation has been completed:

- Ensure there is power to the fixture.
- Ensure the fixture is properly wired and grounded.
- Check to see if there are any loose wires inside the light fixture.
- Ensure the line voltage at the fixture is correct.

If none of these steps resolve the issue, contact your ILP representative for further assistance.