



VST VOLUMETRIC TROFFER

INSTALLATION INSTRUCTIONS

⚠ CAUTION

PLEASE READ INSTRUCTIONS BEFORE COMMENCING INSTALLATION AND RETAIN FOR FUTURE REFERENCE.
Electrical products can cause death or injury, or damage to property. If any doubt about the installation or use of this product, consult a competent electrician.

⚠ WARNING

- To reduce the risk of death, personal injury or property damage from fire, electric shock, falling parts, cuts/abrasions, and other hazards read all warnings and instructions included with and on the fixture box and all fixture labels.
- Before installing, servicing, or performing routine maintenance upon this equipment, follow these general precautions.
- Commercial installation, service and maintenance of luminaires should be performed by a qualified licensed electrician.
- To prevent wiring damage or abrasion, do not expose wiring to edges of sheet metal or other sharp objects.
- Do not make or alter any open holes in an enclosure of wiring or electrical components during kit installation.

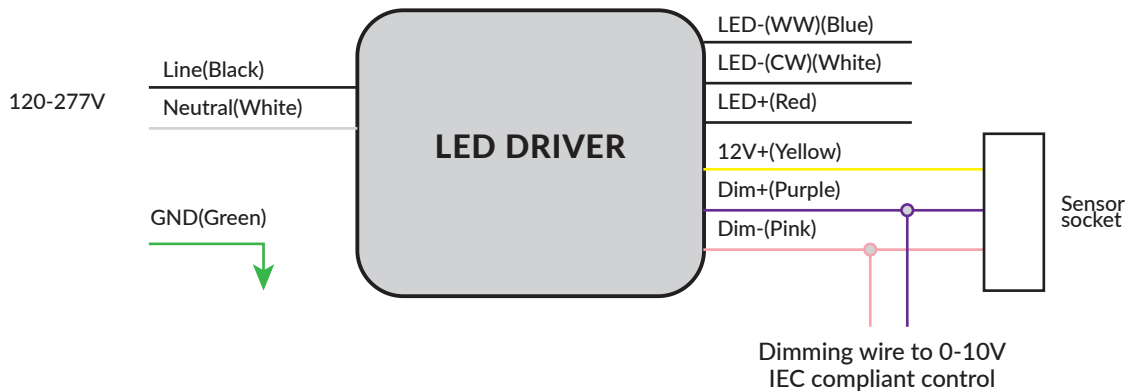
⚠ WARNING

- Turn off electrical power at fuse or circuit breaker box before wiring fixture to the power supply.
- Turn off the power when you perform any maintenance.
- Verify that supply voltage is correct by comparing it with the luminaire label information.
- All wiring connections should be capped with UL approved wire connectors.

⚠ CAUTION

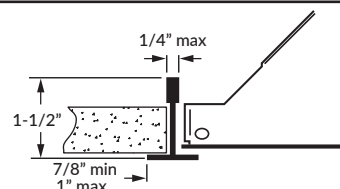
- Avoid direct eye exposure to the light source while it is on.
 - Account for small parts and destroy packing material, as these may be hazardous to children.
 - Risk of burn. Disconnect power and allow fixture to cool before changing bulb or handling fixture.
- NOTICE: Green ground screw provided in proper location. Do not relocate.
 NOTICE: Minimum 90° supply conductors.
 NOTICE: Specifications and dimensions subject to change without notice.
 NOTICE: Suitable for Dry or Damp location, Type IC

General Wiring Diagram:



NEMA "G" (Grid) fixture

The VST Volumetric Troffer is designed to fit securely into a standard NEMA Type "G", 1" nominal T-bar system. Consult the factory for use with other grid systems.





VST VOLUMETRIC TROFFER

INSTALLATION INSTRUCTIONS

Follow the steps below to install the fixture(s) into a NEMA Type "G" ceiling system.

Always turn off the power supply from main circuit breaker first!

Installation Steps:

- Bend out mounting tab 90 degrees on each corner.(Figure 1)
- Use side cutters to adjust each tab to height of T-grid.(Figure 2)
- Lay fixture into T-grid grid.(Figure 3)
- Bend tabs flush against T-grid in order to clear corner for ceiling tile.(Figure 4)
- Use a #8x1/4" sheet metal screw to fasten fixture to T-grid and use a hanger wire to tie off appropriately in accordance with local building codes (screws and hanger wires supplied by others).(Figure 5)
- Ensure that the wiring is properly terminated. Then make all electrical connections to the fixture. Attach the wiring access cover plate.(Figure 6)

Figure 1

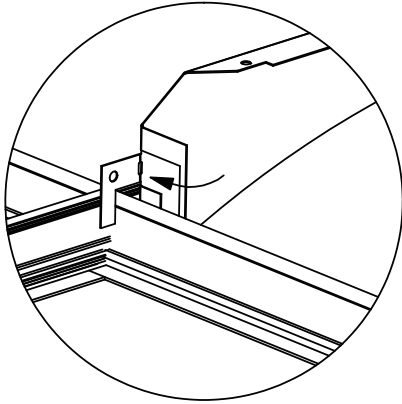


Figure 2

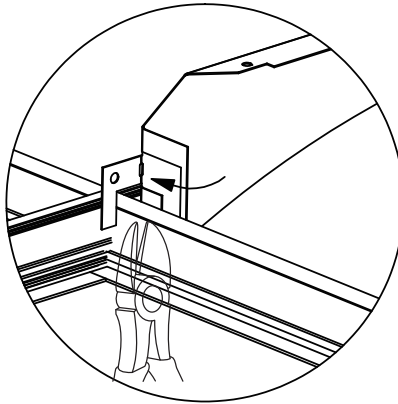


Figure 3

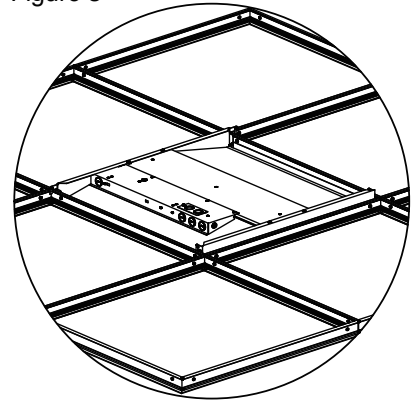


Figure 4

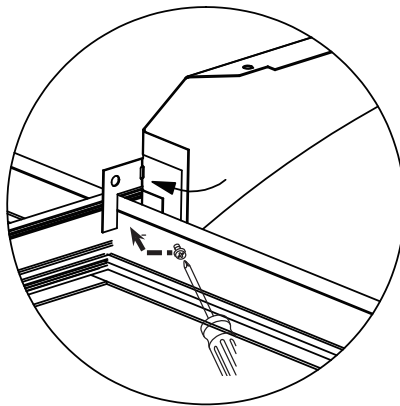


Figure 5

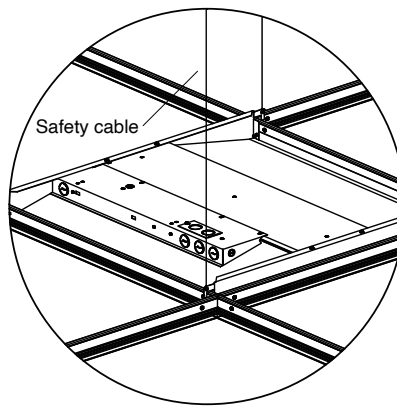
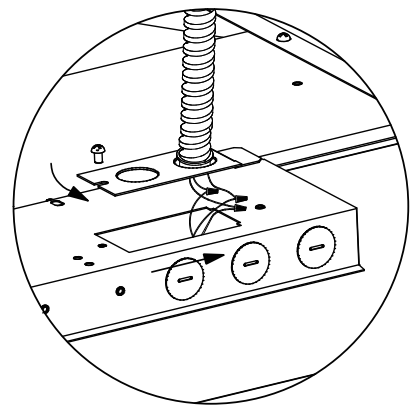


Figure 6





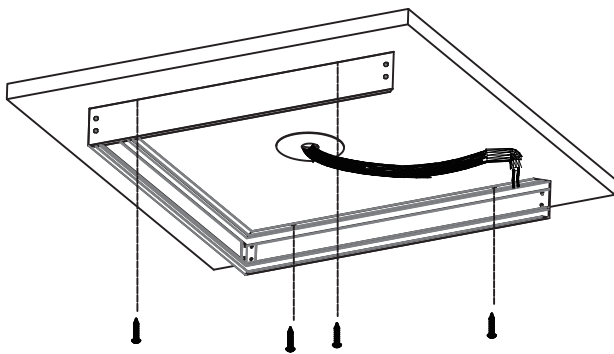
VST VOLUMETRIC TROFFER

INSTALLATION INSTRUCTIONS

Additional Accessories – Surface Mount

- Position the surface mount box at the desired mounting location and assemble three frames on the ground, ensuring they are square-shaped. Secure the surface mount frame to the ceiling using the provided fasteners. Place the wire conduit hose near the open side of the frame (Figure 1).
- Slide the fixture partially into the surface mount box. Remove the access plate from the rear of the driver box and make the necessary wiring connections as per the wire diagram (Figure 2).
- Push the conduit hose back into the surface mount frame, slide the fixture fully into the surface mount enclosure (Figure 3).
- Fasten the last frame to the existing frames to complete the installation (Figure 4).

Figure 1



Appropriate fasteners
for ceiling type x4

Figure 2

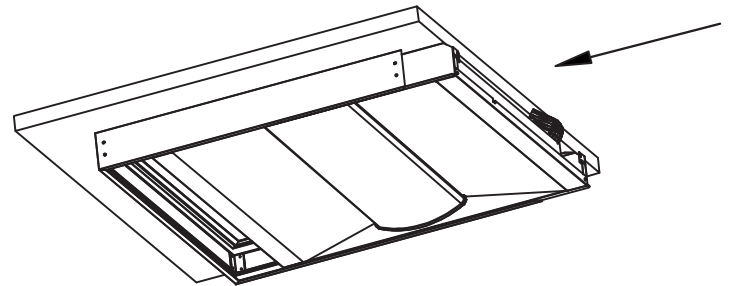


Figure 3

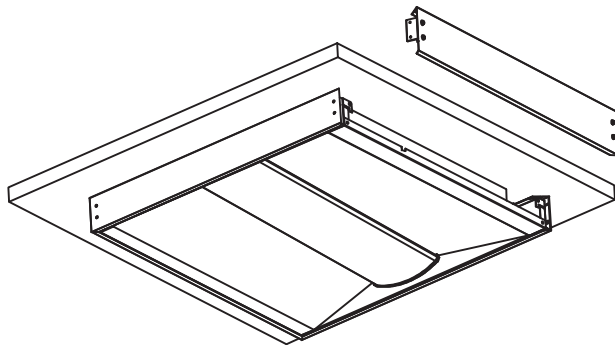
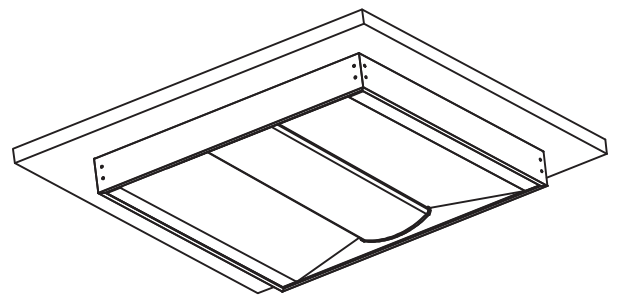


Figure 4



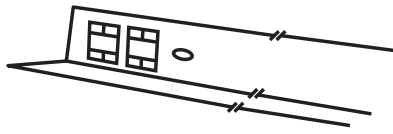


VST VOLUMETRIC TROFFER

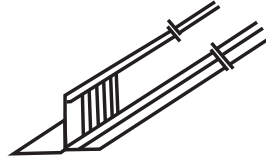
INSTALLATION INSTRUCTIONS

Additional Accessories – Drywall T-Frame

Parts Checklist:



T-Frame Side Support (2)



T-Frame End Support (2)



T-Frame Lock Angle (4)

- Insert lock angle into slot on T-frame Support Rail. Tap lock angle into slot until tab locks into place. (Figure 1)
- Insert lock angle into slot on another T-frame Support Rail so they are perpendicular as shown in picture. Tap lock angle into slot until tab locks into place. (Figure 2)
- Repeat 1 & 2 for other 3 corners.(Figure 3)
- Insert assembled T-frame kit into ceiling cavity.(Figure 4)
- Suspend frame from four points using the holes provided on the supports.(Figure 5)
- Wire and insert fixture into ceiling and maneuver into place just as in a grid ceiling to complete installation.(Figure 6)

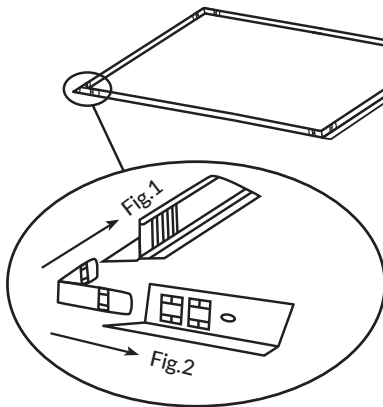


Figure 3

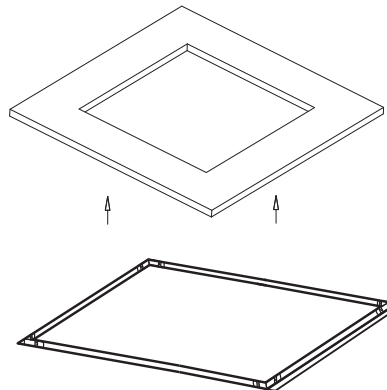


Figure 4

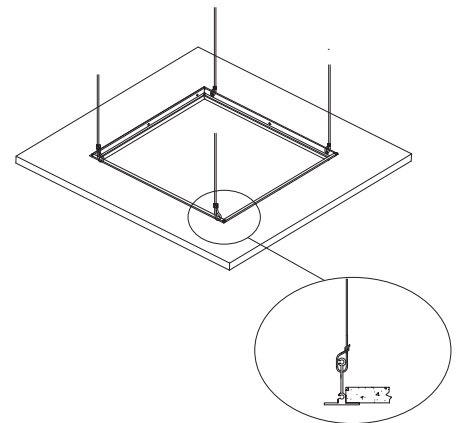


Figure 5

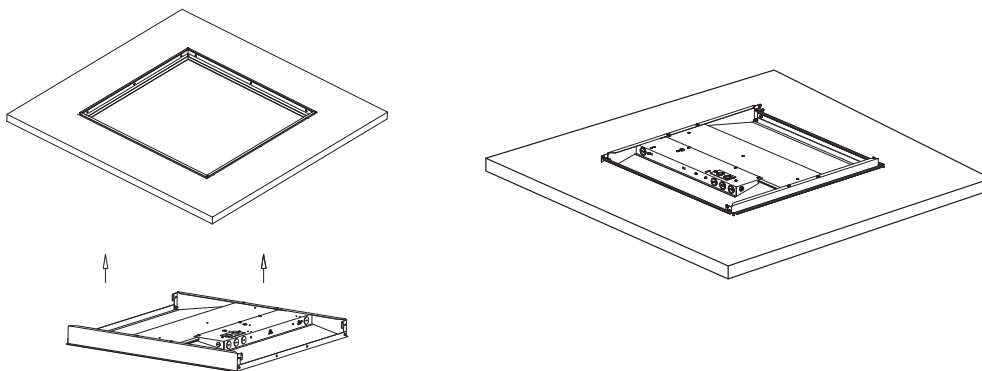


Figure 6



VST VOLUMETRIC TROFFER

INSTALLATION INSTRUCTIONS

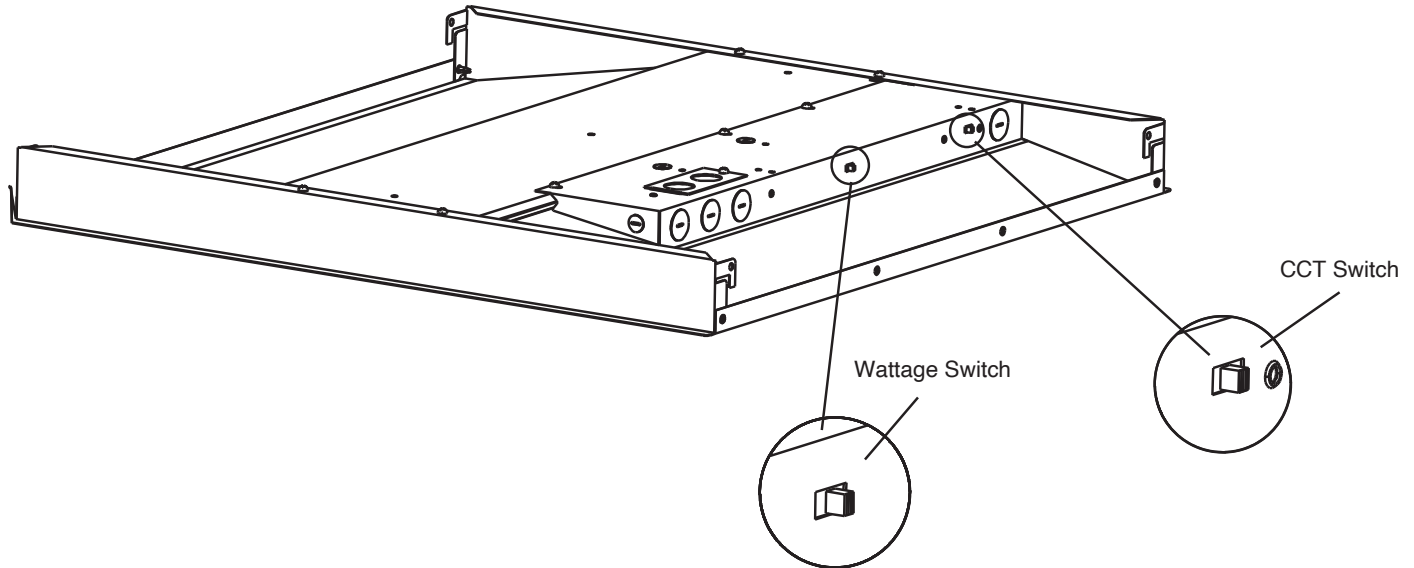
Field-Adjustable CCT & Wattage

The end user can adjust the color temperature and lumen output using two DIP switches.

- **CCT Switch:** 5 settings (2700K, 3000K, 3500K, 4000K, 5000K)
- **Power Switch:** 4 settings (Min, Low, Med, High)

This allows for any desired combination of color temperature and brightness.

- **Factory Settings:** 4000K at maximum power.
- **Location:** The DIP switches are on the fixture's side.
- **Usage:** Slide each switch to the desired setting.



Sensor Installation

- **Prepare the Fixture:** Lay the fixture face-up on a flat surface.
- **Disconnect the Cover:** Remove the sensor socket cover from the fixture using a pry tool or small screwdriver. Detach the flat cable from the back of the cover. (Figure 1)
- **Connect the Sensor:** Plug the wiring harness into the socket on your motion sensor. (Figure 2)
- **Install the Sensor:** Align the sensor with the opening on the fixture and snap it securely into place. (Figure 3)

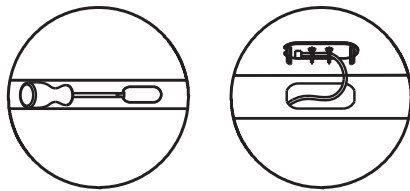


Figure 1

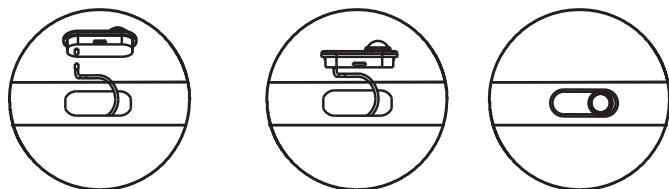
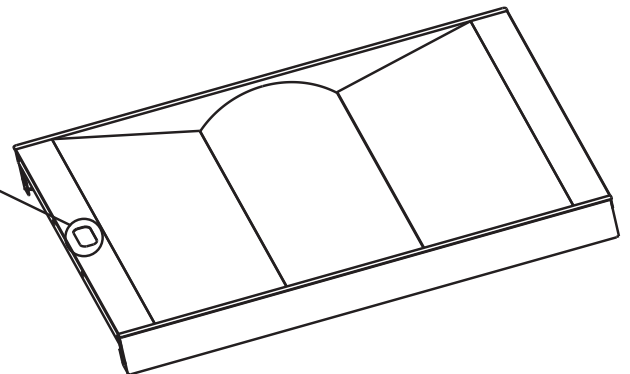


Figure 2

Figure 3





VST VOLUMETRIC TROFFER

INSTALLATION INSTRUCTIONS

LED Systems Information

Part No.	Input Wattage	Working Current	Voltage	Dimming
VST14-20L/40L-U-CCTS-G2	14W/17W/20W/28W	0.051~0.233	120-277V, 50/60Hz	0-10V
VST14-20L-U-27-G2	14W	0.051~0.117		
VST14-20L-U-30-G2				
VST14-20L-U-35-G2				
VST14-20L-U-40-G2				
VST14-20L-U-50-G2				
VST14-25L-U-27-G2	17W	0.061~0.142		
VST14-25L-U-30-G2				
VST14-25L-U-35-G2				
VST14-25L-U-40-G2				
VST14-25L-U-50-G2	20W	0.072~0.167		
VST14-30L-U-27-G2				
VST14-30L-U-30-G2				
VST14-30L-U-35-G2				
VST14-30L-U-40-G2	28W	0.101~0.233		
VST14-30L-U-50-G2				
VST14-40L-U-27-G2				
VST14-40L-U-30-G2				
VST14-40L-U-35-G2	14W/17W/20W/28W	0.051~0.233		
VST14-40L-U-40-G2				
VST14-40L-U-50-G2				
VST22-20L/40L-U-CCTS-G2-CR				
VST22-20L-U-27-G2-CR	14W	0.051~0.117		
VST22-20L-U-30-G2-CR				
VST22-20L-U-35-G2-CR				
VST22-20L-U-40-G2-CR				
VST22-20L-U-50-G2-CR				
VST22-25L-U-27-G2-CR	17W	0.061~0.142		
VST22-25L-U-30-G2-CR				
VST22-25L-U-35-G2-CR				
VST22-25L-U-40-G2-CR				
VST22-25L-U-50-G2-CR	20W	0.072~0.167		
VST22-30L-U-27-G2-CR				
VST22-30L-U-30-G2-CR				
VST22-30L-U-35-G2-CR				
VST22-30L-U-40-G2-CR	28W	0.101~0.233		
VST22-30L-U-50-G2-CR				
VST22-40L-U-27-G2-CR				
VST22-40L-U-30-G2-CR				
VST22-40L-U-35-G2-CR	17W/20W/28W/34W	0.061~0.283		
VST22-40L-U-40-G2-CR				
VST22-40L-U-50-G2-CR				
VST24-25L/50L-U-CCTS-G2-CR				
VST24-25L-U-27-G2-CR	17W	0.061~0.142		
VST24-25L-U-30-G2-CR				
VST24-25L-U-35-G2-CR				



VST VOLUMETRIC TROFFER

INSTALLATION INSTRUCTIONS

LED Systems Information

Part No.	Input Wattage	Working Current	Voltage	Dimming
VST24-25L-U-40-G2-CR	20W	0.072~0.167	120-277V, 50/60Hz	0-10V
VST24-25L-U-50-G2-CR				
VST24-30L-U-27-G2-CR				
VST24-30L-U-30-G2-CR				
VST24-30L-U-35-G2-CR				
VST24-30L-U-40-G2-CR				
VST24-30L-U-50-G2-CR				
VST24-40L-U-27-G2-CR	28W	0.101~0.233		
VST24-40L-U-30-G2-CR				
VST24-40L-U-35-G2-CR				
VST24-40L-U-40-G2-CR				
VST24-40L-U-50-G2-CR				
VST24-50L-U-27-G2-CR	34W	0.123~0.283		
VST24-50L-U-30-G2-CR				
VST24-50L-U-35-G2-CR				
VST24-50L-U-40-G2-CR				
VST24-50L-U-50-G2-CR				
VST24-50L/80L-U-CCTS-G2-CR	34W/38W/45W/56W	0.123~0.467		
VST24-50L-U-27-G2-CR	34W	0.123~0.283		
VST24-50L-U-30-G2-CR				
VST24-50L-U-35-G2-CR				
VST24-50L-U-40-G2-CR				
VST24-50L-U-50-G2-CR				
VST24-55L-U-27-G2-CR	38W	0.137~0.317		
VST24-55L-U-30-G2-CR				
VST24-55L-U-35-G2-CR				
VST24-55L-U-40-G2-CR				
VST24-55L-U-50-G2-CR				
VST24-65L-U-27-G2-CR	45W	0.162~0.375		
VST24-65L-U-30-G2-CR				
VST24-65L-U-35-G2-CR				
VST24-65L-U-40-G2-CR				
VST24-65L-U-50-G2-CR				
VST24-80L-U-27-G2-CR	56W	0.202~0.467		
VST24-80L-U-30-G2-CR				
VST24-80L-U-35-G2-CR				
VST24-80L-U-40-G2-CR				
VST24-80L-U-50-G2-CR				